

# T5875DV

## Raspberry Pi Power Supply



### Features:

- Official Raspberry Pi Power Supply
- 1.5M Micro USB B Lead
- ErP Level 6 Efficiency Rating
- 50,000 Hour MTBF
- 1 Years Warranty



### Output

Output Voltage	+5.1Vdc
Minimum Load Current	0A
Nominal Load Current	2.5A
Nominal Output Power	13W
Output Regulation	+/-5%
Line Regulation	+/-2%
Ripple & Noise	120mVp-p Maximum
Rise Time	100mS Maximum at nominal input
Turn-on Delay	3 Seconds Maximum at nominal input
Protection	Short circuit, over current, over voltage
Efficiency	80.86%
Output Cable	1500mm Micro USB B 5 Pin

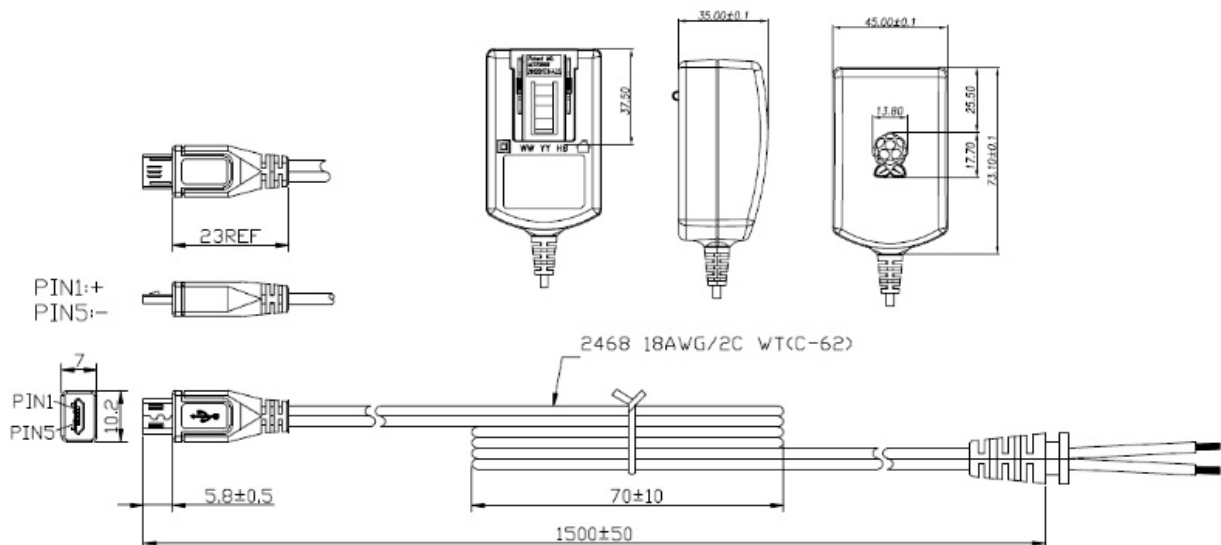
### Input

Input Voltage Range	90-264VAC
Input Frequency	47-63Hz
Input Current	0.5A Max
Inrush Current	No damage and IP fuse will not blow
AC Inlet	UK, Euro, Aus & US changeable heads

### Other

Dimensions	73.2 (L) * 45.1 (W) * 35.1 (H) mm
Weight	Approx 150g
Operating Temp.	0 °C to 40 °C
Storage Temp.	-20 °C to +60 °C
Operating Humidity	20 ~ 85 % RH. Non-Condensing
MTBF	50,000 Hours

### Diagrams



**STONTRONICS**  
THE POWER TO PROGRESS

Chancerygate Business Centre, Cradock Road, Reading, Berkshire, RG2 0AH.

Tel: +44 (0) 118 931 1199 • Fax: +44 (0) 118 931 1145 • Email: [info@stontronics.co.uk](mailto:info@stontronics.co.uk) • Web: [www.stontronics.co.uk](http://www.stontronics.co.uk)

Please Note: Image shown is representative of entire range. Individual PSU image &/or drawings or data sheets available on request.

Stontronics Ltd accepts no responsibility for typographical errors in the production of this leaflet. Product specifications are subject to change without notice.