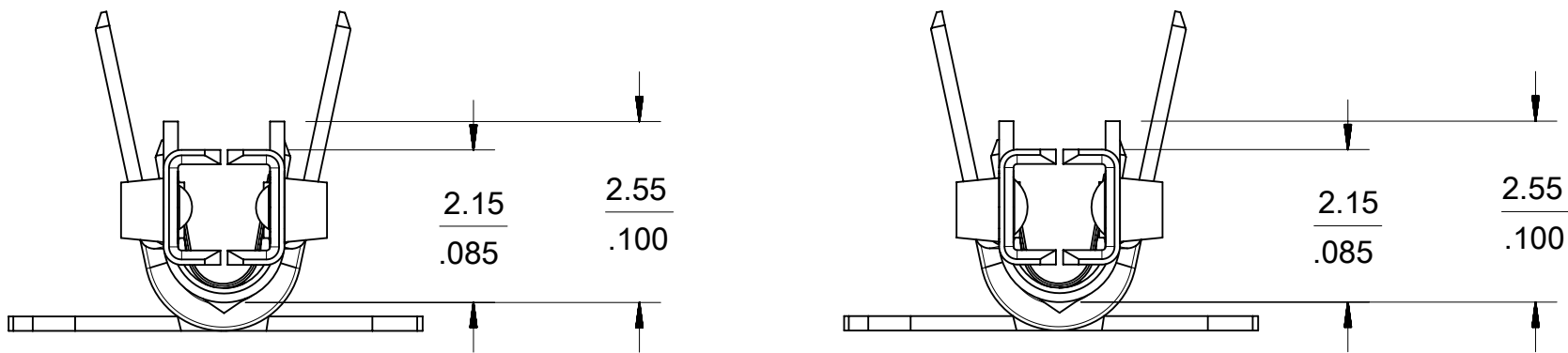
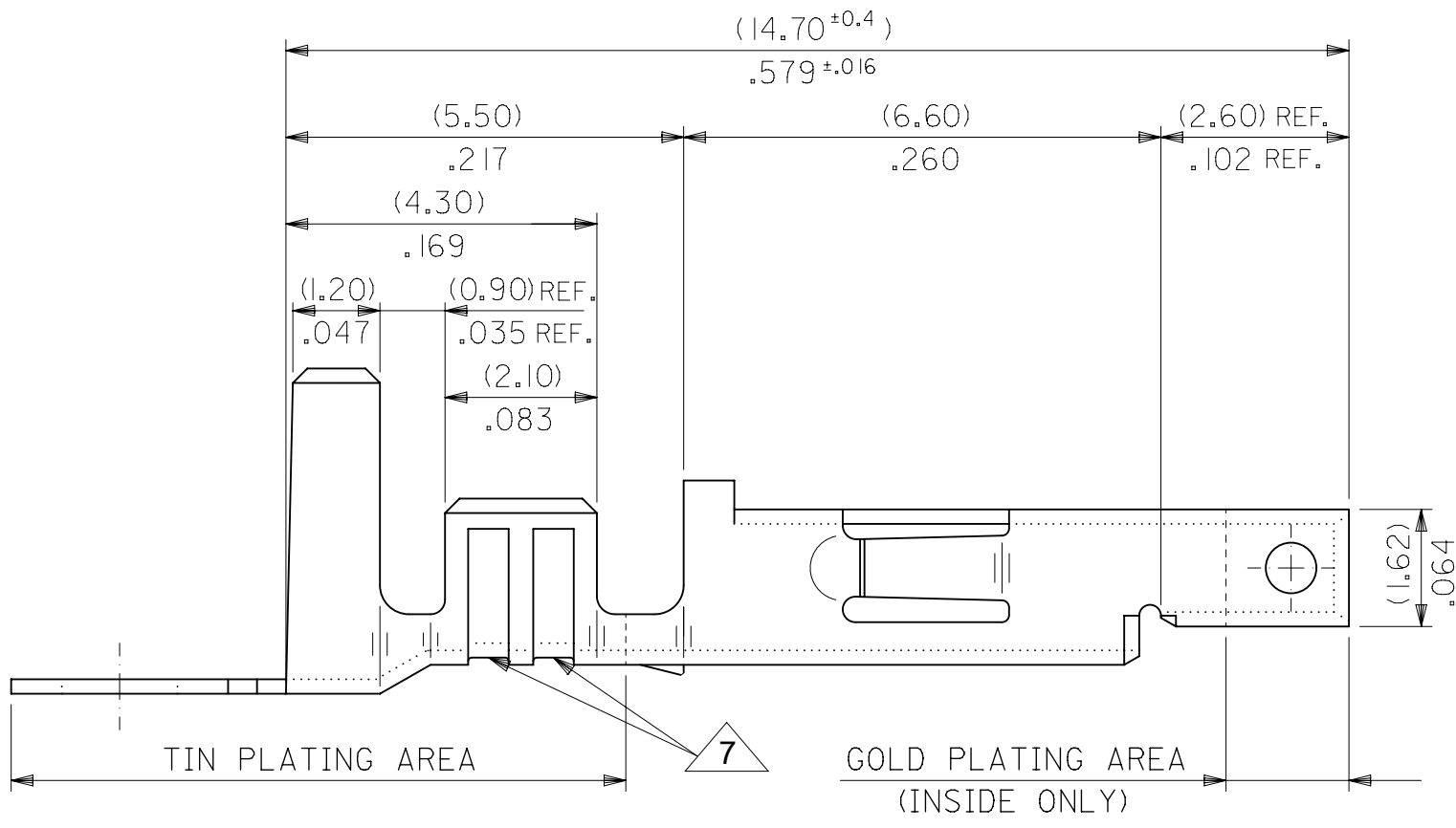
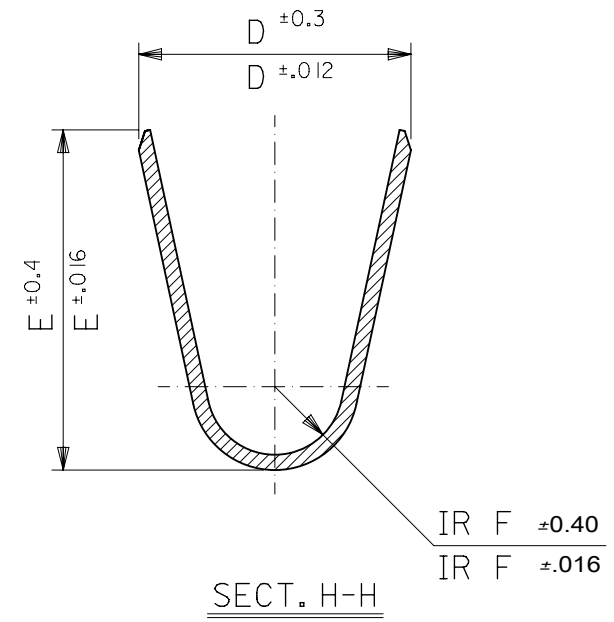
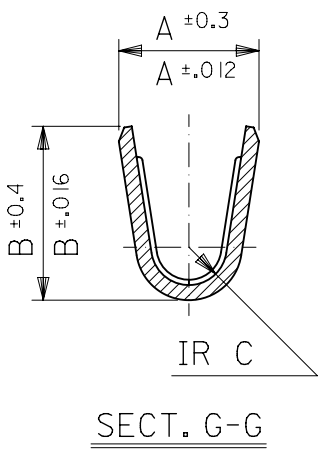
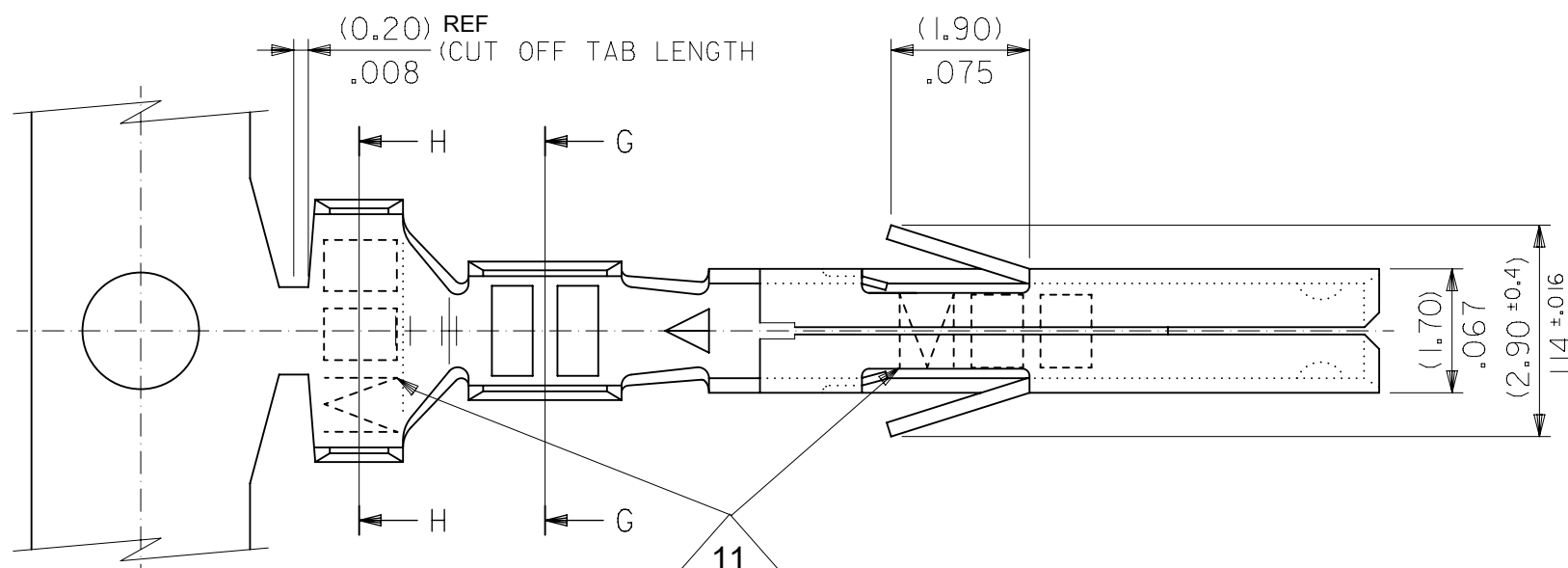


NOTES

1. MATERIAL: SEE CHART.
2. FINISH: SEE CHART.
3. PRODUCT SPECIFICATION: PS-5556-001, PS-5556-002, PS-5556-003.
4. PACKAGING SPECIFICATION: PK-5556-001 FOR CHAIN TERMINALS  
PK-5556-003 FOR LOOSE TERMINALS.
5. MATES WITH: 5558, 5566, 5569, 30069, 30070, 42440, 42404, 43879, 43810, 44068.
6. APPLICABLE HOUSING: 5557, 30067, 44516, OR 42474.
7. THE NUMBER OF SERRATIONS TO BE ONE FOR WIRE RANGE #22-28.
8. WHEN TERMINALS ARE INSTALLED IN THE HOUSING THE WIRES ARE TO BE DRESSED IN SUCH A MANNER TO ALLOW THE TERMINALS TO FLOAT FREELY IN THE POCKET.
9. THIS TERMINAL IS DESIGNED FOR SINGLE WIRE CRIMPING.
10. PART CONFORMS TO CLASS "B" REQUIREMENTS OF COSMETIC SPECIFICATION PS-45499-002.
11. TEXT ON PART IS FOR REFERENCE ONLY. TEXT AND TEXT LOCATION MAY VARY DEPENDING ON PART NUMBER AND/OR TOOL.
12. TIN PLATING THICKNESS MEASURED AS APPLIED PRIOR TO OPTIONAL REFLOW. POST REFLOW PLATING THICKNESS TO BE 1.0um MIN



CONTACT DIMPLE CONFIGURATIONS

#18-24 TERMINAL SHOWN

SYMBOLS	THIS DRAWING CONTAINS INFORMATION THAT IS PROPRIETARY TO MOLEX ELECTRONIC TECHNOLOGIES, LLC AND SHOULD NOT BE USED WITHOUT WRITTEN PERMISSION			
	DIMENSION UNITS	SCALE	CURRENT REV DESC: ADD NOTE 12	
∇ = 0	METRIC	10:1	EC NO: 625416 DRWN: DSTEIER 2019/10/09 CHK'D: MKIPPER 2019/10/10 APPR: FSMITH 2019/10/10	
∇ = 0	GENERAL TOLERANCES (UNLESS SPECIFIED)			
∇ = 0		MM	INCH	
S = 0	4 PLACES	±	±	
∇ = 0	3 PLACES	±	± 0.01	
∇ = 0	2 PLACES	± 0.25	± 0.01	
∇ = 0	1 PLACE	± 0.25	±	
∇ = 0	0 PLACES	±	±	
∇ = 0	ANGULAR TOL	± 3.0 °		
∇ = 0	DRAFT WHERE APPLICABLE MUST REMAIN WITHIN DIMENSIONS			
	THIRD ANGLE PROJECTION	DRAWING	SERIES	
		C-SIZE	5556	

**molex**

MINI FIT JR SELECT GOLD FEMALE CRIMP TERMINAL


PRODUCT CUSTOMER DRAWING

DOCUMENT NUMBER	DOC TYPE	DOC PART	REVISION
SD-5556-006	PSD	001	H1

MATERIAL NUMBER	CUSTOMER	SHEET NUMBER
SEE CHART	GENERAL MARKET	1 OF 2

DOCUMENT STATUS	P1	RELEASE DATE	2019/10/10 22:15:12
-----------------	----	--------------	---------------------

	12	11	10	9	8	7	6	5	4	3	2	1			
H	PHOS BRONZE	SELECTIVE GOLD (0.76um)/30m. in. MIN. AND			(0.9) .035	(4.5) .177	(3.6) .142	(0.6) .024	(2.7) .106	(2.3) .091	∅ (3.1) .122 MAX.	# 16	▲ -0186	PBGS3PL	LOOSE
		SELECTIVE TIN (2.54um)/100m.i. MIN. OVER			(0.6) .024	(2.3) .091	(2.3) .091	(0.4) .016	(1.65) .065	(1.8) .071	∅ (0.9-1.8) .035-.071	#22-28	-0185	PBGS3P	CHAIN
		NICKEL (1.27um)/50m. in. MIN. OVERALL			(0.9) .035	(4.5) .177	(3.6) .142	(0.5) .020	(2.3) .091	(1.9) .075	∅ (1.3-3.1) .051-.122	# 18-24	▼ -0182	PBGS2PL	LOOSE
G	BRASS	SELECTIVE GOLD (1.27um)/50m. in. MIN. AND			(0.9) .035	(4.5) .177	(3.6) .142	(0.6) .024	(2.7) .106	(2.3) .091	∅ (3.1) .122 MAX.	# 16	▲ -0142	GS9L	LOOSE
		SELECTIVE TIN ( 2.54 μm)/ 100 m.in. MIN. OVER			(0.6) .024	(2.3) .091	(2.3) .091	(0.4) .016	(1.65) .065	(1.8) .071	∅ (0.9-1.8) .035-.071	#22-28	▼ -0141	GS9	CHAIN
		NICKEL (1.27um)/50m. in. MIN. OVERALL			(0.9) .035	(4.5) .177	(3.6) .142	(0.5) .020	(2.3) .091	(1.9) .075	∅ (1.3-3.1) .051-.122	# 18-24	3900-0181	PBGSPL	CHAIN
F	BRASS	SELECTIVE GOLD (0.76um)/30m. in. MIN. AND			(0.9) .035	(4.5) .177	(3.6) .142	(0.6) .024	(2.7) .106	(2.3) .091	∅ (3.1) .122 MAX.	# 16	▲ -0140	GS8L	LOOSE
		SELECTIVE TIN ( 2.54 μm)/ 100 m.in. MIN. OVER			(0.6) .024	(2.3) .091	(2.3) .091	(0.4) .016	(1.65) .065	(1.8) .071	∅ (0.9-1.8) .035-.071	#22-28	39-00-0139	GS8	CHAIN
		NICKEL (1.27um)/50m. in. MIN. OVERALL			(0.9) .035	(4.5) .177	(3.6) .142	(0.5) .020	(2.3) .091	(1.9) .075	∅ (1.3-3.1) .051-.122	# 18-24	40-13-0852	GS7L	LOOSE
E	BRASS	SELECTIVE GOLD (0.38um)/15m. in. MIN. AND			(0.9) .035	(4.5) .177	(3.6) .142	(0.6) .024	(2.7) .106	(2.3) .091	∅ (3.1) .122 MAX.	# 16	40-13-0851	GS7	CHAIN
		SELECTIVE TIN ( 2.54 μm)/ 100 m.in. MIN. OVER			(0.6) .024	(2.3) .091	(2.3) .091	(0.4) .016	(1.65) .065	(1.8) .071	∅ (0.9-1.8) .035-.071	#22-28	39-00-0094	GS6L	LOOSE
		NICKEL (1.27um)/50m. in. MIN. OVERALL			(0.9) .035	(4.5) .177	(3.6) .142	(0.5) .020	(2.3) .091	(1.9) .075	∅ (1.3-3.1) .051-.122	# 18-24	▲ -0093	GS6	CHAIN
D	BRASS	SELECTIVE GOLD (0.76um)/30m. in. MIN. AND			(0.9) .035	(4.5) .177	(3.6) .142	(0.6) .024	(2.7) .106	(2.3) .091	∅ (3.1) .122 MAX.	# 16	-0092	GS5L	LOOSE
		SELECTIVE TIN (2.54um)/100m.i. MIN. OVER			(0.6) .024	(2.3) .091	(2.3) .091	(0.4) .016	(1.65) .065	(1.8) .071	∅ (0.9-1.8) .035-.071	#22-28	-0091	GS5	CHAIN
		NICKEL (1.27um)/50m. in. MIN. OVERALL			(0.9) .035	(4.5) .177	(3.6) .142	(0.5) .020	(2.3) .091	(1.9) .075	∅ (1.3-3.1) .051-.122	# 18-24	-0074	GS4L	LOOSE
C	BRASS	SELECTIVE GOLD (0.76um)/30m. in. MIN. AND			(0.9) .035	(4.5) .177	(3.6) .142	(0.6) .024	(2.7) .106	(2.3) .091	∅ (3.1) .122 MAX.	# 16	-0073	GS4	CHAIN
		SELECTIVE TIN (2.54um)/100m.i. MIN. OVER			(0.6) .024	(2.3) .091	(2.3) .091	(0.4) .016	(1.65) .065	(1.8) .071	∅ (0.9-1.8) .035-.071	#22-28	-0090	GS3L	LOOSE
		NICKEL (1.27um)/50m. in. MIN. OVERALL			(0.9) .035	(4.5) .177	(3.6) .142	(0.5) .020	(2.3) .091	(1.9) .075	∅ (1.3-3.1) .051-.122	# 18-24	-0089	GS3	CHAIN
B	BRASS	SELECTIVE GOLD (0.76um)/30m. in. MIN. AND			(0.9) .035	(4.5) .177	(3.6) .142	(0.6) .024	(2.7) .106	(2.3) .091	∅ (3.1) .122 MAX.	# 16	-0435	GS2L7F	LOOSE
		SELECTIVE TIN (2.54um)/100m.i. MIN. OVER			(0.6) .024	(2.3) .091	(2.3) .091	(0.4) .016	(1.65) .065	(1.8) .071	∅ (0.9-1.8) .035-.071	#22-28	-0434	GS27F	CHAIN
		NICKEL (1.27um)/50m. in. MIN. OVERALL			(0.9) .035	(4.5) .177	(3.6) .142	(0.5) .020	(2.3) .091	(1.9) .075	∅ (1.3-3.1) .051-.122	# 18-24	▼ -0429	▼ GSL7F	LOOSE
A	BRASS	SELECTIVE GOLD (0.76um)/30m. in. MIN. AND			(0.9) .035	(4.5) .177	(3.6) .142	(0.6) .024	(2.7) .106	(2.3) .091	∅ (3.1) .122 MAX.	# 16	39-00-0428	5556 GS7F	CHAIN
		SELECTIVE TIN (2.54um)/100m.i. MIN. OVER			(0.6) .024	(2.3) .091	(2.3) .091	(0.4) .016	(1.65) .065	(1.8) .071	∅ (0.9-1.8) .035-.071	#22-28			
		NICKEL (1.27um)/50m. in. MIN. OVERALL			(0.9) .035	(4.5) .177	(3.6) .142	(0.5) .020	(2.3) .091	(1.9) .075	∅ (1.3-3.1) .051-.122	# 18-24			
	MATERIAL	FINISH			F	E	D	C	B	A	INS. RANGE	WIRE RANGE	EDP NO.	ENG. NO.	FORM

SYMBOLS	THIS DRAWING CONTAINS INFORMATION THAT IS PROPRIETARY TO MOLEX ELECTRONIC TECHNOLOGIES, LLC AND SHOULD NOT BE USED WITHOUT WRITTEN PERMISSION												
	DIMENSION UNITS		SCALE		CURRENT REV DESC: ADD NOTE 12								
∇ = 0	METRIC		10:1		EC NO: 625416 DRWN: DSTEIER 2019/10/09 CHK'D: MKIPPER 2019/10/10 APPR: FSMITH 2019/10/10								
∇ = 0	GENERAL TOLERANCES (UNLESS SPECIFIED)										INITIAL REVISION: DRWN: HHIRAMOT 1991/05/18 APPR: FSMITH 2013/01/11		
∇ = 0	4 PLACES ±		MM		INCH		DOCUMENT NUMBER			DOC TYPE			
∇ = 0	3 PLACES ±		± 0.01		SD-5556-006						PSD	001	H1
∇ = 0	2 PLACES ±		0.25 ± 0.01								MATERIAL NUMBER		
∇ = 0	1 PLACE ±		0.25 ±		SEE CHART			GENERAL MARKET			2 OF 2		
∇ = 0	0 PLACES ±		±		DRAFT WHERE APPLICABLE MUST REMAIN WITHIN DIMENSIONS		THIRD ANGLE PROJECTION		DRAWING	SERIES			
∇ = 0	ANGULAR TOL ± 3.0 °				C-SIZE		5556						