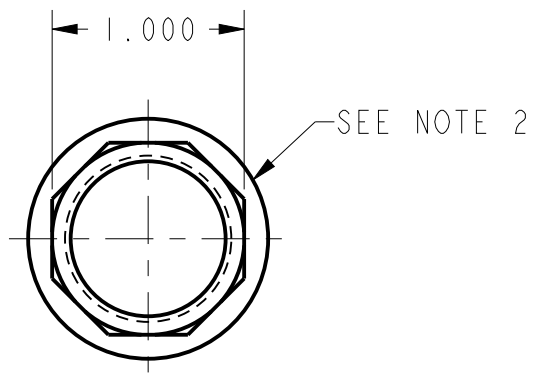


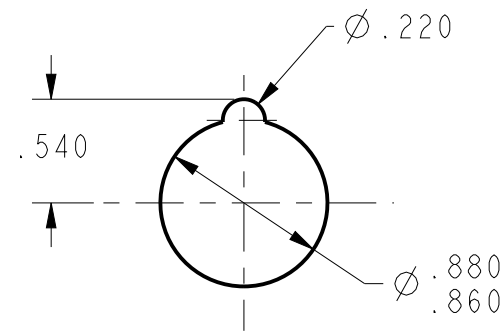
HONEYWELL PART NUMBER
90234

REV	DOCUMENT	CHANGED BY	CHECK
A	0066506	MBH 21JUN10	CMH



MOUNTING NUT (81942)

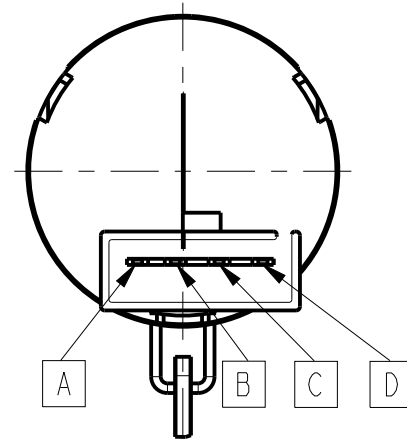
- TORQUE NUT TO
50 IN.LBS. MAX



PROPOSED MOUNTING HOLE

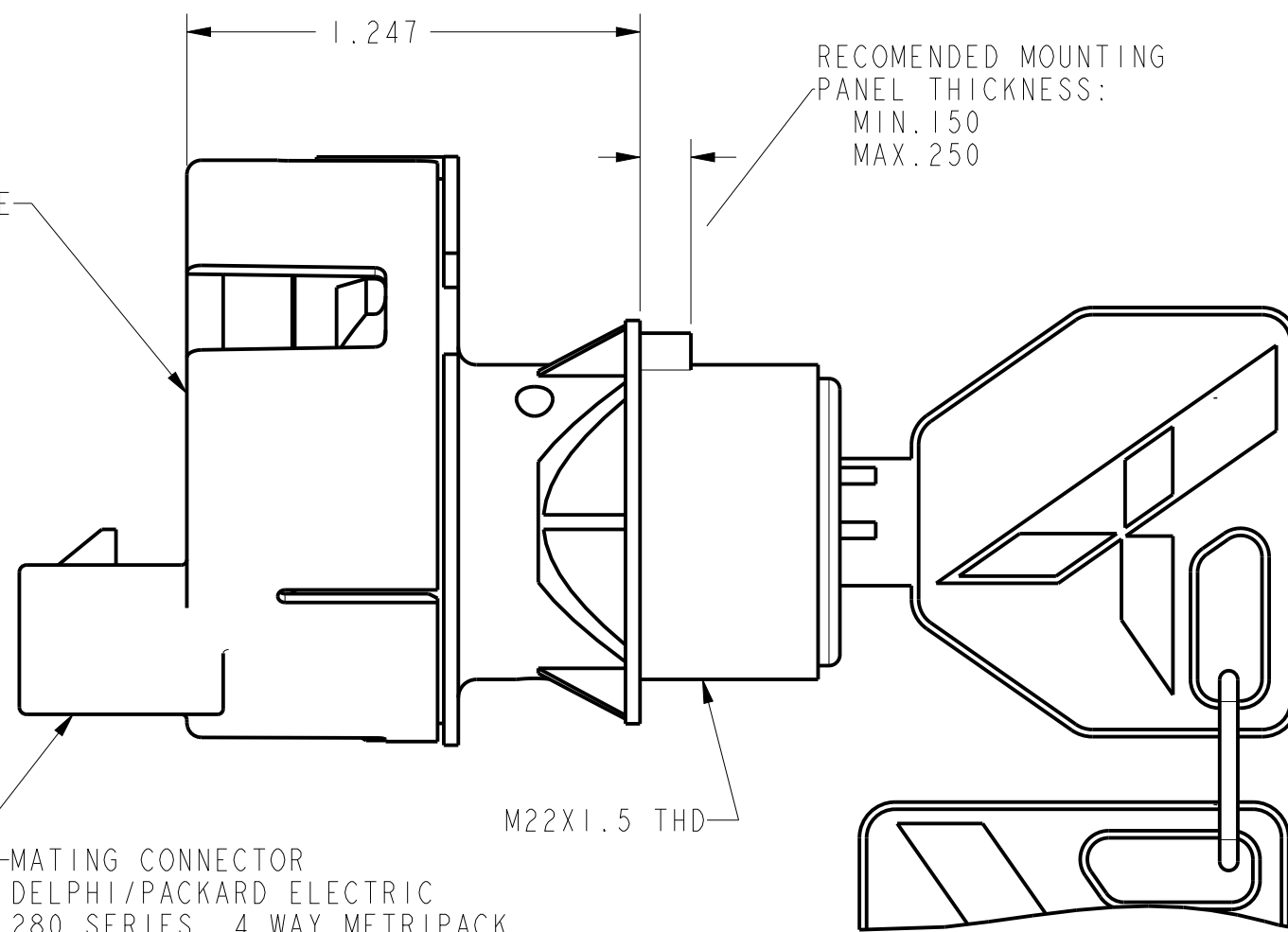
HONEYWELL PART NO., DATE CODE
(SEE NOTE 5) AND OPERATORS
CLOCK NUMBER TO BE PRINTED ON
LABEL AND AFFIXED TO THIS SURFACE

RECOMENDED MOUNTING
PANEL THICKNESS:
MIN. 1.50
MAX. 2.50

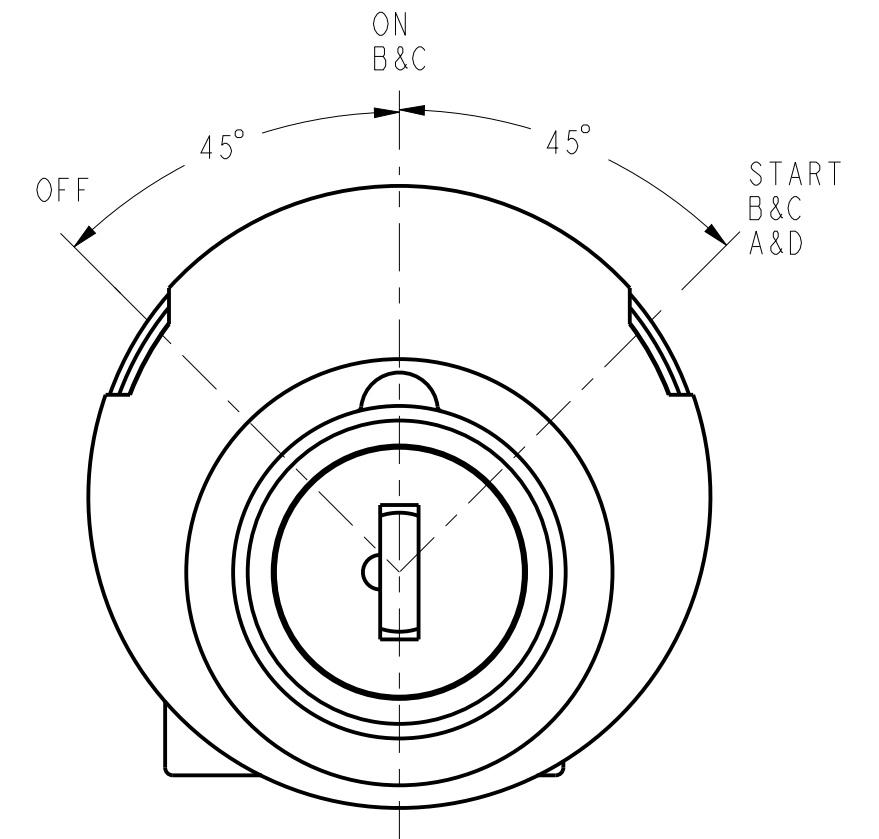
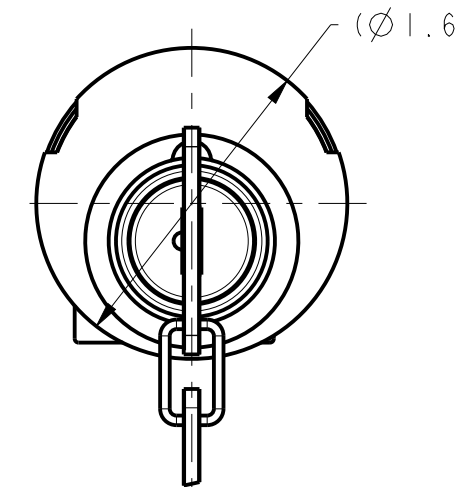


VIEW OF TERMINALS

SCALE 1:1



MATING CONNECTOR
DELPHI/PACKARD ELECTRIC
280 SERIES, 4 WAY METRIPACK
HOUSING: PN 12052856
TERMINALS: PN 12034046



FRONT VIEW

- NOTES:
- OFF/ON/STATRT (RECOIL)
KEY REMOVABLE IN OFF POSITION.
 - NUT IS NOT INSTALLED, BUT IS SHIPPED ALONG WITH SWITCHES
PER PACK OP P/N 994400.
 - MAXIMUM ELECTRICAL RATING: 12 VOLT-20 AMP
 - MATERIAL SPECIFICATION:
FRONT HOUSING-40% MINERAL FILLED NYLON
BACK HOUSING-POLYPROPYLENE
NUT-40% MINERAL FILLED NYLON
COVER-DYNAFLEX
 - DATE CODE IS A 5 DIGIT NO., 1ST AND 2ND DIGITS REPRESENT
THE YEAR, THE NEXT 3 DIGITS REPRESENT THE DAY.

CUSTOMER PRINT

DESIGN UNITS: INCH TOLERANCES UNLESS NOTED:	DRAWN XC 21JUN10 CHECK XC 21JUN10	Honeywell	
NO PLACES X ± .400 ONE PLACE .X ± .020 TWO PLACE .XX ± .010 THREE PLACE .XXX ± .005 ANGLES X ± 1°	THIS DRAWING COVERS A PROPRIETARY ITEM AND IS THE PROPERTY OF HONEYWELL. THIS DRAWING IS NOT TO BE COPIED OR USED WITHOUT THE PERMISSION OF HONEYWELL.		
THIRD ANGLE PROJECTION	INTERPRET PER ASME Y14.5M-1994 OTHER HONEYWELL ENGINEERING STANDARDS MAY APPLY	SIZE TYPE CAGE CODE DRAWING NAME C I - 90234	REV A
	Pro/ENGINEER 3D SCALE 2:1	SHEET 1 OF 1	