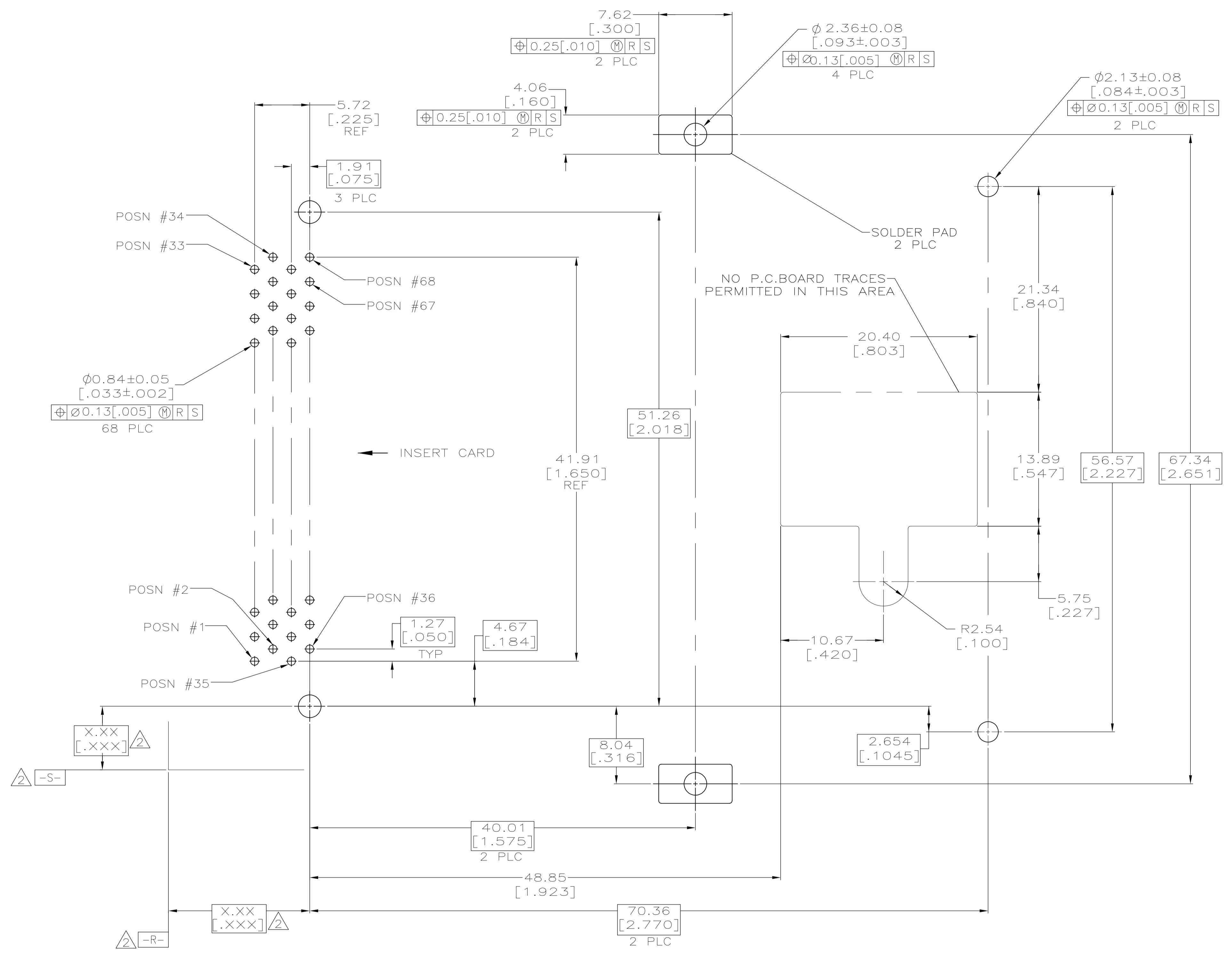


YES	1,17,34 35,51,68	ALL OTHER PINS	36,67	1-146023-1
NO	1,17,34 35,51,68	ALL OTHER PINS	36,67	146023-1
HEADER HOLD DOWN	5.0 [.197]	4.25 [.167]	3.5 [.138]	
"L" (PIN LENGTH) AND LOCATION				

THIS DRAWING IS A CONTROLLED DOCUMENT.		DIN J MOSER 8/30/93	TE Connectivity
DIMENSIONS: mm [INCHES]		APVD B FLICKER 8/30/93	
TOLERANCES UNLESS OTHERWISE SPECIFIED:		NAME B FLICKER	CONNECTOR ASSY, PIN HEADER WITH LH EJECTOR, 68 POSN, TOP BD MTG, THRU-HOLE, AMP MEMORY CARD
0 PLC ± -		PRODUCT SPEC	
1 PLC ± -		APPLICATION SPEC	SIZE
2 PLC ± 0.13 [005]			WEIGHT 24.4 GRAMS
3 PLC ± -			CAGE CODE DRAWING NO
4 PLC ± -			A1 00779
ANGLES ± -			RESTRICTED TO
FINISH 1			SCALE 4:1 SHEET 1 OF 3 REV C

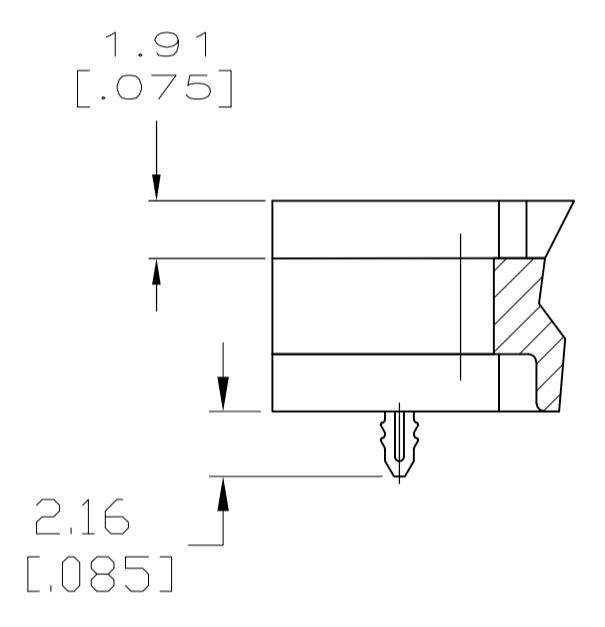
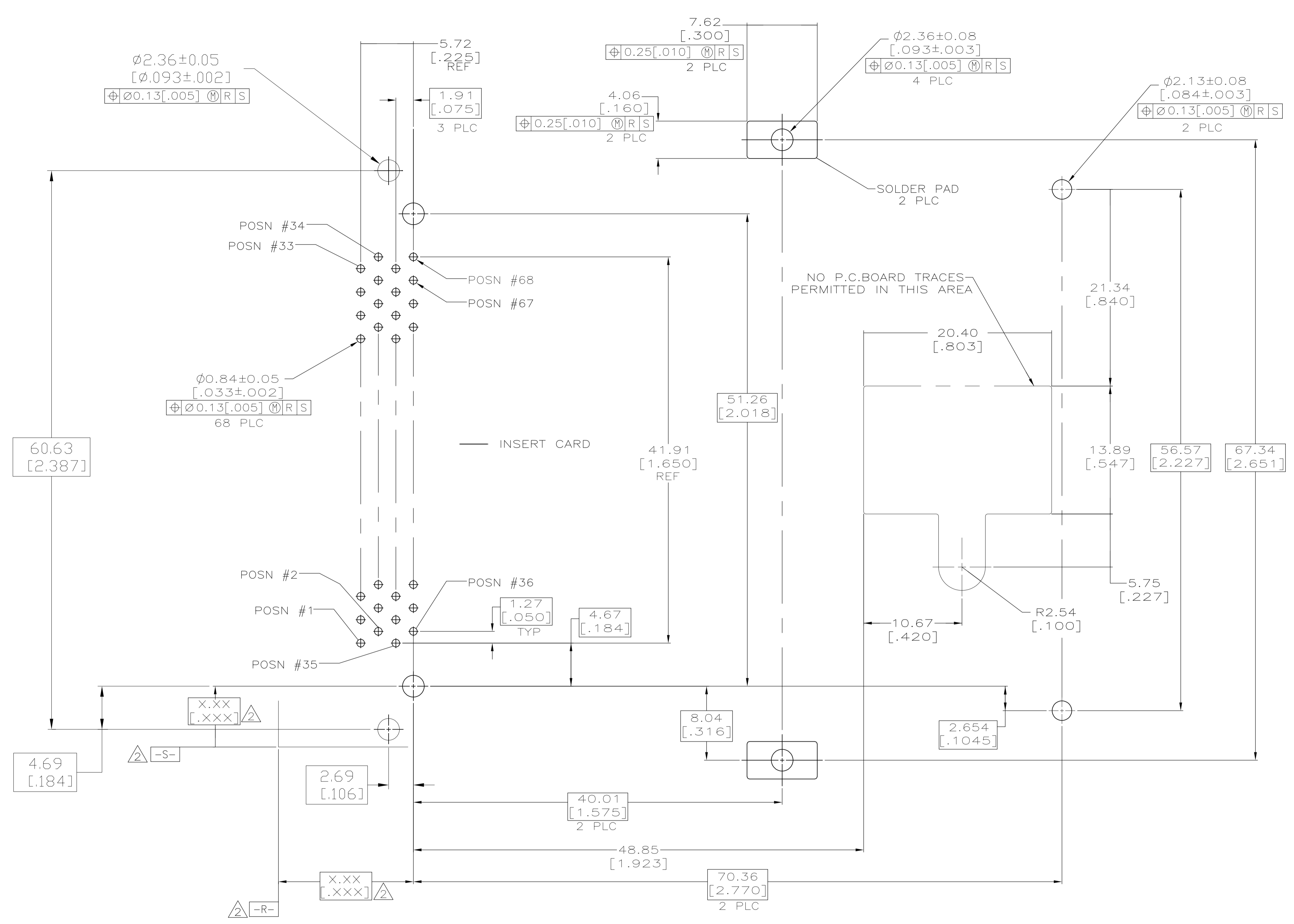
LOC		DIST		REVISIONS				
P	LTR	DATE	DN	APVD	DESCRIPTION	DATE	DN	APVD
-	-	SEE SHEET 1	-	-	-	-	-	-



RECOMMENDED BOARD LAYOUT
146023-1

- 1. PIN FINISH: 0.00076[.000030] MINIMUM GOLD IN CONTACT AREA, 0.00381[.000150] MIN TIN-LEAD ON SOLDER TAILS, ALL OVER 0.00127[.000050] MINIMUM NICKEL.
- 2. DATUMS AND BASIC DIMENSIONS ESTABLISHED BY CUSTOMER.
- 3. CONNECTOR REQUIRES USE OF 4 - SIZE 2M SCREWS FOR FASTENING TO PRINTED CIRCUIT BOARD.
- 4. RECESSED AMP AND CSA LOGOS LOCATED ON BOTH SIDES OF HOUSING.
- 5. HOUSING MATERIAL: LCP, BLACK
GUIDE MATERIAL: LCP, BLACK
SHROUD MATERIAL: LCP, BLACK
BUTTON MATERIAL: LCP, BLACK
ORGANIZER MATERIAL: LCP, BLACK
PIN MATERIAL: BRASS
EJECTOR MATERIAL: STAINLESS STEEL
RAIL PLATE MATERIAL: STAINLESS STEEL
LEVER MATERIAL: STAINLESS STEEL.

THIS DRAWING IS A CONTROLLED DOCUMENT.		OWN: J. MOSER 8/30/93	TE Connectivity
DIMENSIONS: mm [INCHES]		CHK: B. ELICKER 8/30/93	
TOLERANCES UNLESS OTHERWISE SPECIFIED:		APPRO: B. ELICKER 8/30/93	NAME: CONNECTOR ASSY, PIN HEADER WITH LH EJECTOR, 68 POSN, TOP BD MTG, THRU-HOLE, AMP MEMORY CARD
0 PLC ± - 1 PLC ± - 2 PLC ± 0.13 [.005] 3 PLC ± - 4 PLC ± - ANGLES ± -		PRODUCT SPEC: - APPLICATION SPEC: - WEIGHT: -	
MATERIAL: -		FINISH: -	SIZE: A1 CAGE CODE: 00779 DRAWING NO: 146023 RESTRICTED TO: - CUSTOMER DRAWING: -
		SCALE: 4:1	SHEET: 2 OF 3 REV: C



RECOMMENDED BOARD LAYOUT
1-146023-1

THIS DRAWING IS A CONTROLLED DOCUMENT.		OWN: MOSER 8/30/93	TE Connectivity
DIMENSIONS: mm [INCHES]		CHK: ELICKER 8/30/93	
TOLERANCES UNLESS OTHERWISE SPECIFIED:		APP'D: ELICKER 8/30/93	NAME: CONNECTOR ASSY, PIN HEADER WITH LH EJECTOR, 68 POSN, TOP BD MTG, THRU-HOLE, AMP MEMORY CARD
0 PLC ± - 1 PLC ± - 2 PLC ± 0.13 [.005] 3 PLC ± - 4 PLC ± - ANGLES ± -		PRODUCT SPEC: -	
MATERIAL: -		APPLICATION SPEC: -	RESTRICTED TO: -
FINISH: -		WEIGHT: -	SIZE: A1
		CAGE CODE: 00779	DRAWING NO: 146023
		CUSTOMER DRAWING	SCALE: 4:1 SHEET 3 OF 3 REV C