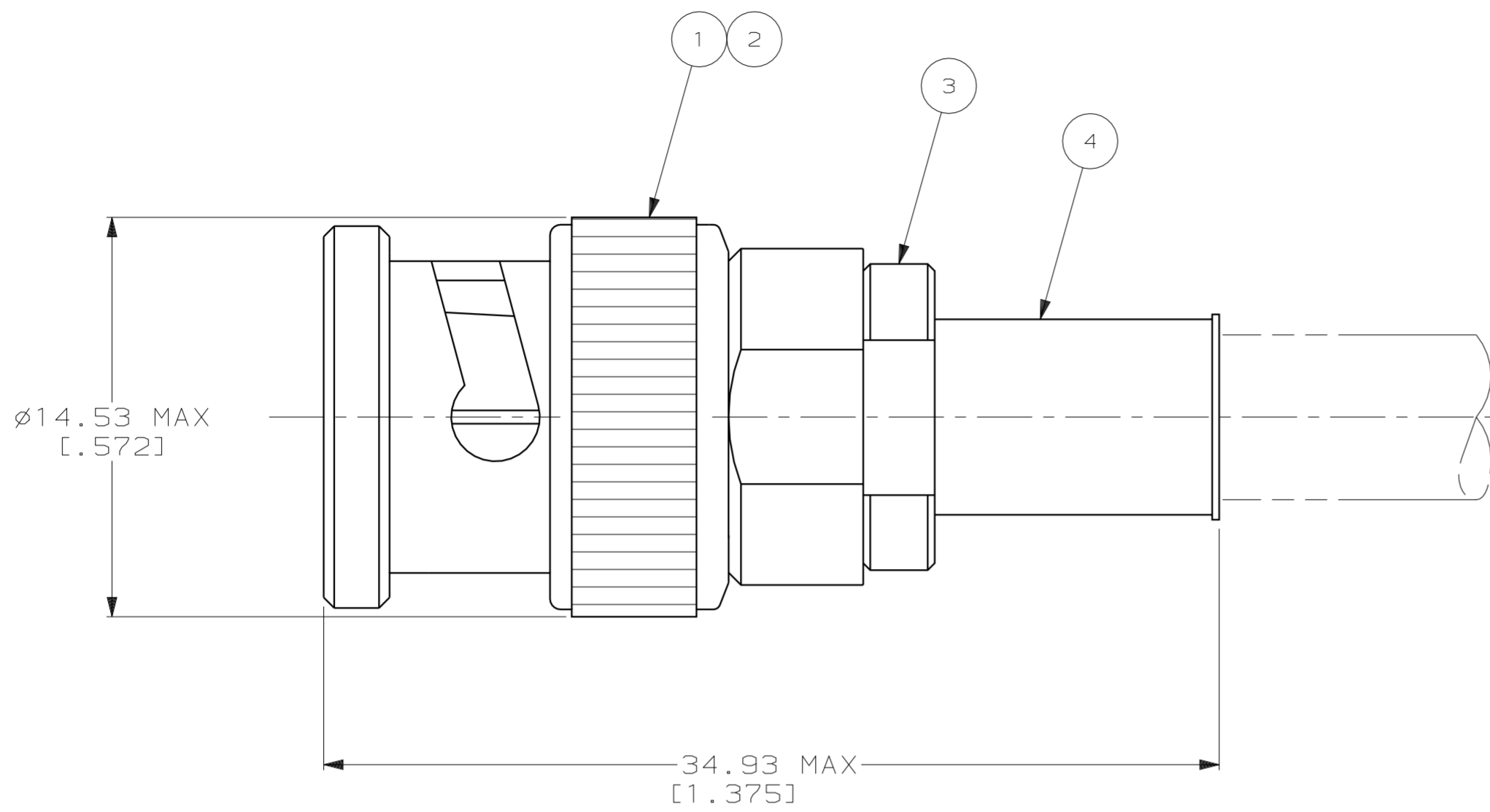
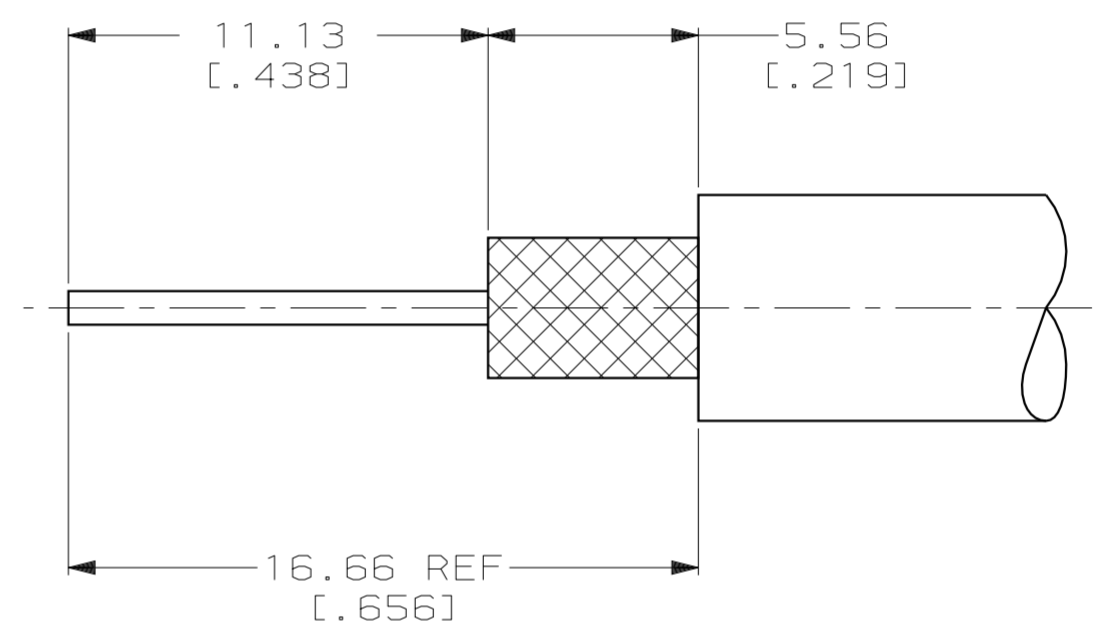


| LOC | DIST | P | F | ZONE | LTR | REVISIONS | DATE | APPD |
|-----|------|---|---|------|-----|-------------------------------|---------|------|
| AJ | 16 | | | | L | DESCRIPTION | | |
| | | | | | | OBSOLETE -22 PER 0E10-0130-99 | 13DEC99 | MO |



- 1. FOR CABLE: RG-59/U, 59A/U, 59B/U, 62/U, 62A/U, 62B/U, 124/U, 140/U, 210/U
- 2. USE INSTRUCTION SHEET 1799-1



RECOMMENDED STRIP LENGTH
NO SCALE

| | | | | | | | | |
|--------------------------|-----------------------|------------|--------------------|----------------------------------|-------------------|--------------------------|---|----------------|
| OBSOLETE | - | - | - | - | - | - | - | 7-329445-2 |
| OBSOLETE | - | - | - | - | - | - | - | 7-329445-1 |
| OBSOLETE | RG-71/U, 71A/U, 71B/U | 69141-2 | 329460 | 50780-3 | 2-329106-1 | 329804 | - | 2-329445-2 |
| | 1 | 69141-1 | 329041 | 50780-3 | 2-329106-1 | 329804 | - | 2-329445-1 |
| SUPERSEDED BY 2-329445-1 | - | - | - | - | - | - | - | 329445 |
| | CABLE | CRIMP TOOL | 4 FERRULE QTY=1 | 3 CRIMP END ASSEMBLY QTY=1 | 2 GASKET QTY=1 | 1 PLUG ASSEMBLY QTY=1 | | PART NUMBER |
| | | | | | | | | PART NO |

| | | |
|--------------------------------------------------------------------------------------------------------------------------------------------------------------|-----------------------------------|-----------------------------------------------|
| DO NOT SCALE PRINT. UNLESS SPECIFIED DIMENSIONS IN mm [INCHES] TOLERANCES ON: 2 PLC DEC \pm 0.41 [.016] 3 PLC DEC \pm - ANGLES \pm - | DR 14FEB96 MICHAEL E. COWHER | AMP Incorporated Harrisburg, PA 17105-3608 |
| MATERIAL | CHK 15FEB96 FRANK P. MORANA | |
| FINISH | APPD 15FEB96 FRANK P. MORANA | NAME |
| | APPD 15FEB96 MICHAEL E. COWHER | PLUG, BNC |
| | PRODUCT SPEC | |
| | APPLICATION SPEC | SIZE |
| | | CAGE CODE |
| | | DRAWING NO |
| | | 329445 |
| | | SCALE |
| | | 5:1 |
| | | SHEET |
| | | 1 OF 1 |