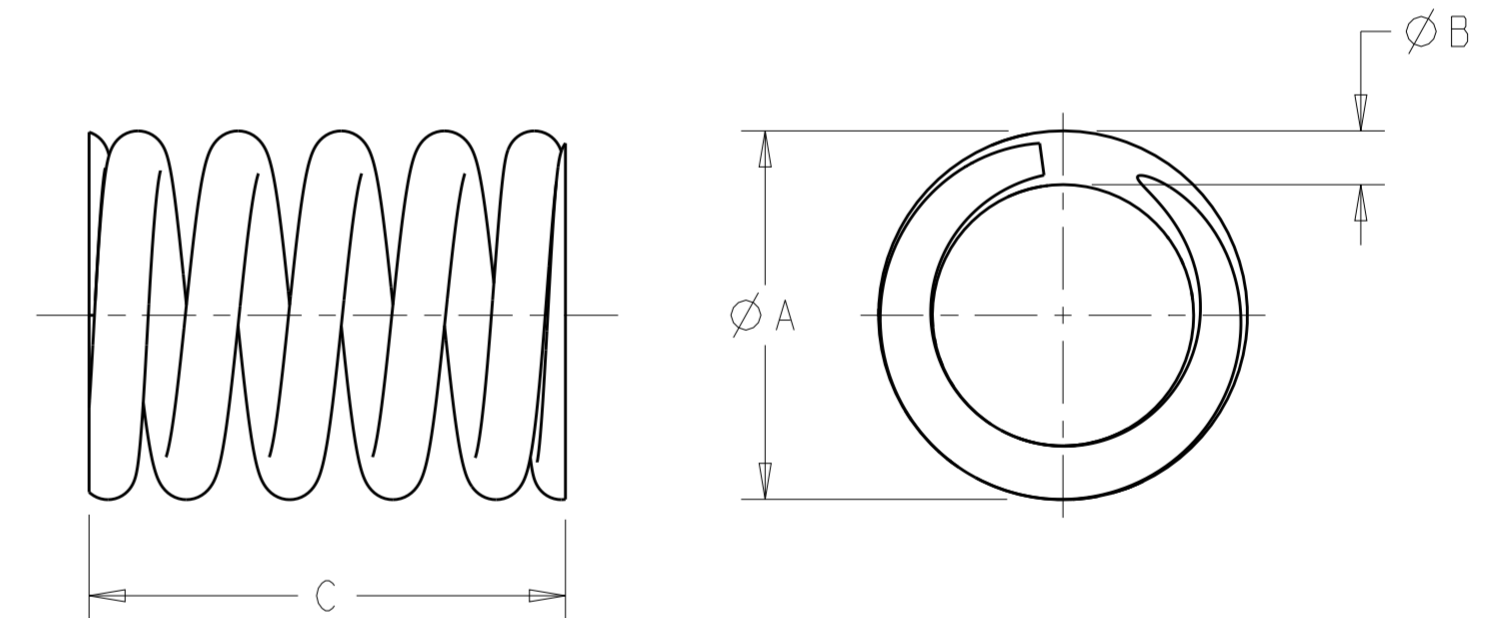


THIS DRAWING IS A CONTROLLED DOCUMENT

NUMBER
23470

PART NUMBER	REV	MASS REF Grams	A	B	C	APPROX LOAD @ SOLID HT	RATE lb/in	SOLID HEIGHT	MFR PART NO
23470-1	P	.43	.240	.035	.310	12 lbs	90.00	.190	LC-035C-01-M
23470-2	P	.47	.240	.035	.380	12 lbs	73.50	.210	LC-035C-02-M
23470-3	P	.52	.240	.035	.440	12 lbs	61.00	.230	LC-035C-03-M
23470-4	P	.59	.240	.035	.500	12 lbs	52.00	.260	LC-035C-04-M
23470-5	P	.66	.240	.035	.560	12 lbs	45.00	.290	LC-035C-05-M
23470-6	P	.70	.240	.035	.620	12 lbs	40.00	.310	LC-035C-06-M
23470-7	P	.77	.240	.035	.690	12 lbs	36.00	.340	LC-035C-07-M
23470-8	P	.81	.240	.035	.750	12 lbs	32.00	.360	LC-035C-08-M
23470-9	P	.88	.240	.035	.810	12 lbs	29.30	.390	LC-035C-09-M
1-23470-0	P	.95	.240	.035	.880	12 lbs	27.00	.420	LC-035C-10-M
1-23470-1	P	1.04	.240	.035	.940	12 lbs	24.40	.460	LC-035C-11-M
1-23470-2	P	1.47	.240	.035	1.380	12 lbs	16.00	.650	LC-035C-14-M
1-23470-3	P	1.58	.240	.035	1.500	12 lbs	14.80	.700	LC-035C-15-M
1-23470-4	P	1.83	.240	.035	1.750	12 lbs	12.40	.810	LC-035C-16-M
1-23470-5	P	2.06	.240	.035	2.000	12 lbs	11.00	.910	LC-035C-17-M
1-23470-6	P	2.31	.240	.035	2.250	12 lbs	9.80	1.020	LC-035C-18-M
1-23470-7	P	2.74	.240	.035	2.500	12 lbs	8.90	1.210	LC-035C-19-M
1-23470-8	P	.53	.240	.040	.310	17 lbs	155.00	.210	LC-040C-01-M
1-23470-9	P	.63	.240	.040	.380	17 lbs	122.00	.250	LC-040C-02-M
2-23470-0	P	.71	.240	.040	.440	17 lbs	100.00	.280	LC-040C-03-M
2-23470-1	P	.78	.240	.040	.500	17 lbs	84.00	.310	LC-040C-04-M
2-23470-2	P	.88	.240	.040	.560	17 lbs	74.00	.350	LC-040C-05-M
2-23470-3	P	.96	.240	.040	.620	17 lbs	67.00	.380	LC-040C-06-M
2-23470-4	P	1.03	.240	.040	.690	17 lbs	60.00	.410	LC-040C-07-M
2-23470-5	P	1.08	.240	.040	.750	17 lbs	57.00	.430	LC-040C-08-M
2-23470-6	P	1.21	.240	.040	.810	17 lbs	48.50	.480	LC-040C-09-M
2-23470-7	P	1.29	.240	.040	.880	17 lbs	46.00	.510	LC-040C-10-M
2-23470-8	P	1.39	.240	.040	.940	17 lbs	42.00	.550	LC-040C-11-M
2-23470-9	P	1.46	.240	.040	1.000	17 lbs	39.30	.580	LC-040C-12-M
3-23470-0	P	1.64	.240	.040	1.120	17 lbs	35.00	.650	LC-040C-13-M
3-23470-1	P	1.82	.240	.040	1.250	17 lbs	31.00	.720	LC-040C-14-M
3-23470-2	P	1.97	.240	.040	1.380	17 lbs	27.50	.780	LC-040C-15-M
3-23470-3	P	2.17	.240	.040	1.500	17 lbs	25.70	.860	LC-040C-16-M
3-23470-4	P	2.47	.240	.040	1.750	17 lbs	21.70	.980	LC-040C-17-M
3-23470-5	P	2.80	.240	.040	2.000	17 lbs	19.20	1.110	LC-040C-18-M
3-23470-6	P	3.15	.240	.040	2.250	17 lbs	16.70	1.250	LC-040C-19-M
3-23470-7	P	3.48	.240	.040	2.500	17 lbs	15.00	1.380	LC-040C-20-M
3-23470-8	P	3.72	.240	.042	2.500	19 lbs	17.80	1.420	LC-042C-19-M
3-23470-9	P	.33	.240	.024	.690	4.25 lbs	9.00	.200	LC-024C-06-M
4-23470-0	P	.59	.240	.022	1.750	3.25 lbs	2.30	.390	LC-022C-12-M
4-23470-1	P	.84	.240	.026	1.750	5.25 lbs	4.20	.480	LC-026C-13-M
4-23470-2	P	1.62	.240	.032	2.000	10 lbs	8.40	.770	LC-032C-17-M
4-23470-3	Y	.00	.240	.000	.000	0.0	.00	.000	
4-23470-4	P	.95	.240	.026	2.000	5.25 lbs	3.60	.540	LC-026C-14-M
4-23470-5	P	.32	.240	.020	1.000	2 lbs	2.40	.230	LC-020C-12-M

1. MANUFACTURER/VENDOR PART NUMBER:
SEE TABLE
2. MANUFACTURER/VENDOR:
LEE SPRING COMPANY
www.leespring.com
3. DIMENSIONS/TOLERANCES:
ALL DIMENSIONS ARE NOMINAL
UNLESS OTHERWISE SPECIFIED.
4. COMPLIANCE:
RoHS COMPLIANT
5. REQUIRED CHARACTERISTICS/PERFORMANCE:
ENDS: SQUARED AND GROUND (TOLERANCE 3°)
SPRINGS TO BE STRESS RELIEVED TO REMOVE
COILING STRAINS
SEE TABLE FOR ADDITIONAL INFORMATION
6. ALTERNATE PART NUMBER AND
MANUFACTURER/VENDOR:
TE ENGINEERING APPROVED EQUIVALENT.



SUPSD BY 7-22280-5

SEE ALSO 22280

THIS INFORMATION IS CONFIDENTIAL AND PROPRIETARY TO TYCO ELECTRONICS CORPORATION AND ITS WORLDWIDE SUBSIDIARIES AND AFFILIATES (TE). IT MAY NOT BE DISCLOSED TO ANYONE, OTHER THAN TE PERSONNEL, WITHOUT AUTHORIZATION FROM TE (www.te.com).

**APPLICATION TOOLING COMMERCIALY
PURCHASED PRODUCT SPECIFICATION**

AG	ADD -69 / ECR-17-009972	20JUL2017	DJG	-
LTR	REVISION RECORD	DATE	DWN	APVD

DIMENSIONS: IN		MATERIAL MUSIC WIRE	FINISH ZINC PLATED
		TE Connectivity	
		TITLE SPRING, COMPRESSION	
SIZE A2	NUMBER 23470	SHEET 1 OF 2	REV AG

THIS DRAWING IS A CONTROLLED DOCUMENT

NUMBER
23470

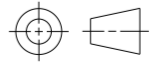

PART NUMBER	REV	MASS REF Grams	A	B	C	APPROX LOAD @ SOLID HT	RATE lb/in	SOLID HEIGHT	MFR PART NO
4-23470-6	P	.62	.240	.024	1.500	4.25 lbs	3.80	.380	LC-024C-12-M
4-23470-7	P	.26	.240	.024	.500	4.25 lbs	12.20	.160	LC-024C-03-M
4-23470-8	P	.19	.240	.020	.560	2 lbs	4.40	.140	LC-020C-06-M
4-23470-9	P	.24	.240	.020	.690	2 lbs	3.50	.170	LC-020C-08-M
5-23470-0	P	.70	.240	.024	1.750	4.25 lbs	3.30	.430	LC-024C-13-M
5-23470-1	P	.29	.240	.020	.880	2 lbs	2.70	.210	LC-020C-11-M
5-23470-2	P	.22	.240	.020	.620	2 lbs	3.80	.160	LC-020C-07-M
5-23470-3	P	.11	.240	.020	.250	2 lbs	11.00	.080	LC-020C-01-M
5-23470-4	P	.18	.240	.020	.500	2 lbs	4.90	.130	LC-020C-05-M
5-23470-5	R	.13	.240	.020	.312	2 lbs	8.60	.094	LC-020C-02-M
5-23470-6	S	.46	.240	.020	1.500	2 lbs	1.57	.332	LC-020C-14-M
5-23470-7	T	.13	.240	.022	.250	3.25 lbs	18.30	.085	LC-022C-00-M
5-23470-8	T	.53	.240	.020	1.750	2 lbs	1.32	.382	LC-020C-15-M
5-23470-9	U	.39	.240	.020	1.250	2 lbs	1.90	.282	LC-020C-13-M
6-23470-0	V	.97	.240	.045	.500	22 lbs	149.60	.350	LC-045C-03-M
6-23470-1	V	2.27	.240	.045	1.250	22 lbs	52.90	.820	LC-045C-13-M
6-23470-2	Y	.00	.240	.000	.000	0.0	.00	.000	
6-23470-3	Z	.06	.240	.016	.250	1.2 lbs	6.20	.056	LC-016C-01-M
6-23470-4	AA	.18	.240	.016	1.250	1.2 lbs	1.10	.163	LC-016C-14-M
6-23470-5	AB	.29	.240	.018	1.500	1.7 lbs	1.30	.231	LC-018C-15-M
6-23470-6	AC	.09	.240	.016	.440	1.2 lbs	3.30	.076	LC-016C-04-M
6-23470-7	AD	.12	.240	.018	.500	1.7 lbs	4.30	.099	LC-018C-05-M
6-23470-8	AE	.17	.240	.018	.750	1.7 lbs	2.80	.132	LC-018C-09-M
6-23470-9	AG	.30	.240	.024	.625	4.3 lbs	9.80	.185	LC-024C-05-M

SUPSD BY 2-22280-6

THIS INFORMATION IS CONFIDENTIAL AND PROPRIETARY TO TYCO ELECTRONICS CORPORATION AND ITS WORLDWIDE SUBSIDIARIES AND AFFILIATES (TE). IT MAY NOT BE DISCLOSED TO ANYONE, OTHER THAN TE PERSONNEL, WITHOUT AUTHORIZATION FROM TE (www.te.com).

**APPLICATION TOOLING COMMERCIALY
PURCHASED PRODUCT SPECIFICATION**

LTR	REVISION RECORD	DATE	DWN	APVD

DIMENSIONS: IN		MATERIAL MUSIC WIRE	FINISH ZINC PLATED
			
SIZE A2	NUMBER 23470	SHEET 2 OF 2	REV AG