

Ratings

Voltage: 600 V
Temperature: -40~105 °C
Flammability: FT2

Conductor

Conductor count: 5
Gauge: 28 AWG 0.08 mm²
Material: tinned copper strands
Strand size: $\varnothing 0.12 \times 7$
Resistance at 20 °C: 250 Ω /km max

Insulator

Material: mPPE
Color: red, black, white, yellow, blue
Diameter: $\varnothing 0.9 \pm 0.08$ mm
Average thickness: 0.25 mm
Minimum thickness: 0.2 mm
Resistance at 20 °C: 100 M Ω /km min

Shield

Type: foil
Material: aluminum mylar
Coverage: 100%

Filler

Material: cotton rope

Drain

Strand size: $\varnothing 0.12 \times 7$
Material: tinned copper strands

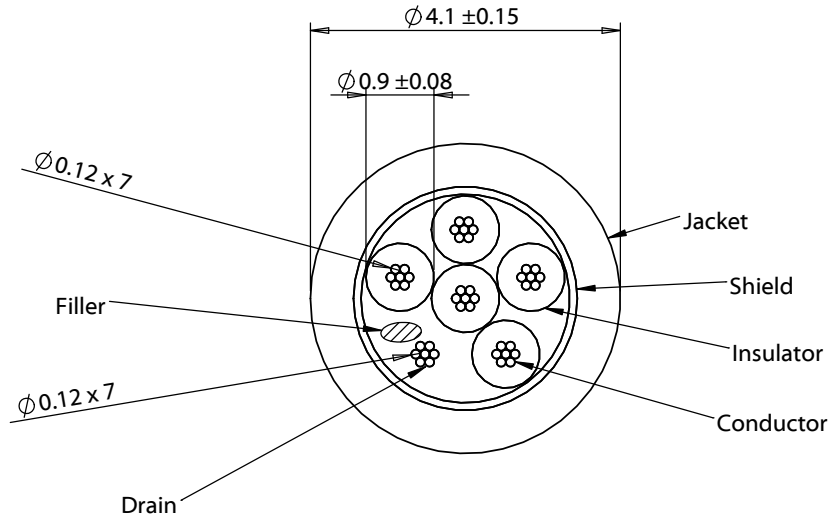
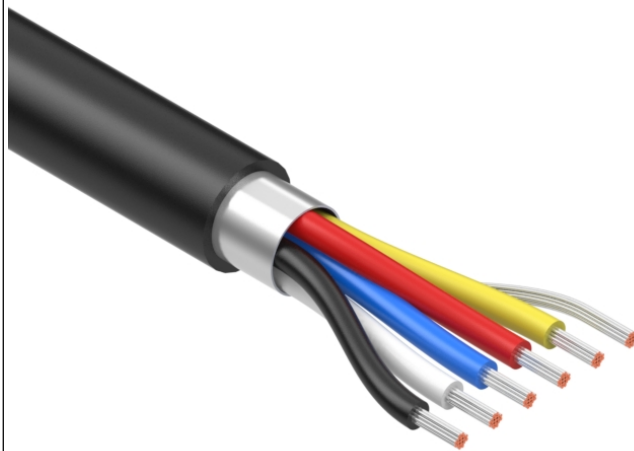
Outer jacket

Material: mPPE, 85A
Color: black
Diameter: $\varnothing 4.1 \pm 0.15$ mm
Average thickness: 0.79 mm
Minimum thickness: 0.55 mm

Wire marking: E339579 UL AWM STYLE 21509 28 AWG 105°C 600V --- cUL AWM I A 105°C 600V FT2 TENSILITY

Bend radius

Minimum: 6 times diameter (24.6 mm)



Revision:	Date:	Description:
A	4/20/2020	Initial release

Prepared:
PB
Digitally signed by PB
Date: 2023.07.21
09:36:25 -07'00'

Verified:
MP
Digitally signed by MP
Date: 2023.07.21
09:50:21 -07'00'

Dimensions are in millimeters.
Tolerances:
X: ± 0.5 mm
X.X: ± 0.3 mm
X.XX: ± 0.05 mm

Notes:
RoHS compliant
Phthalate and halogen free

Description:
Wire, 5C TS, 28 AWG, 21509, 600V, 105C, 4.1 mm, shielded, FT2, mPPE

TENSILITY

tel 1.541.323.3228 800 877.670.7118
fax 1.541.323.4202 web tensility.com

Size:	Part number:
A	30-01460

Scale: 10:1

Sheet 1 of 1