

10078995-G0X-XXULF

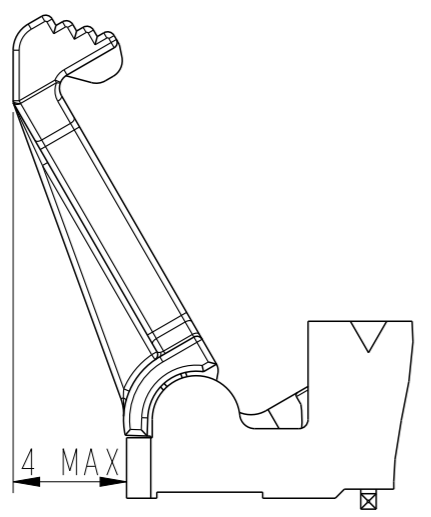
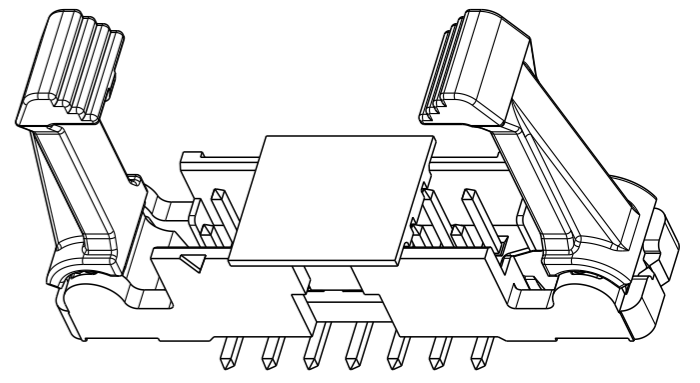
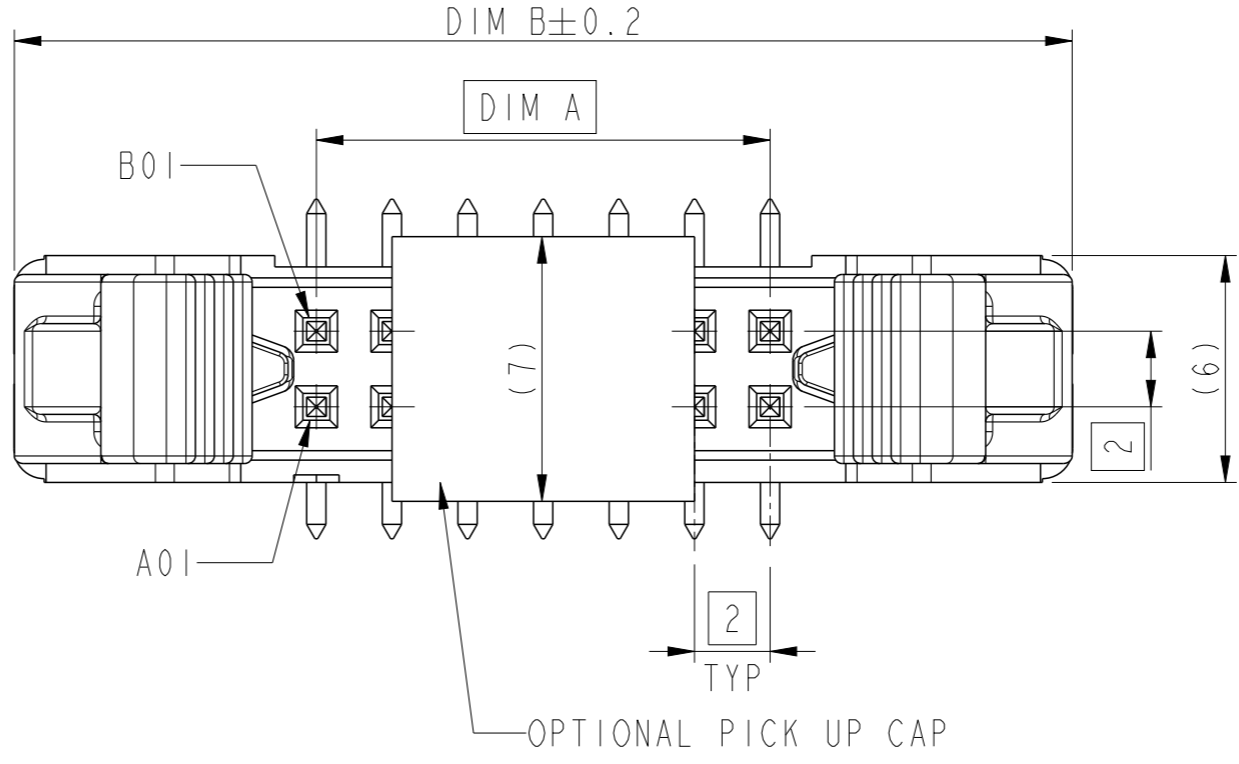
PLATING
 0.76µm GXT (Pd Ni WITH GOLD FLASH ON CONTACT AREA)
 1.27µm NICKEL MIN UNDERPLATE

LATCH TYPE:
 1-STANDARD : FOR USE WITH STRAIN-RELIEF 10073978
 2-LOW PROFILE : FOR USE WITHOUT STRAIN-RELIEF

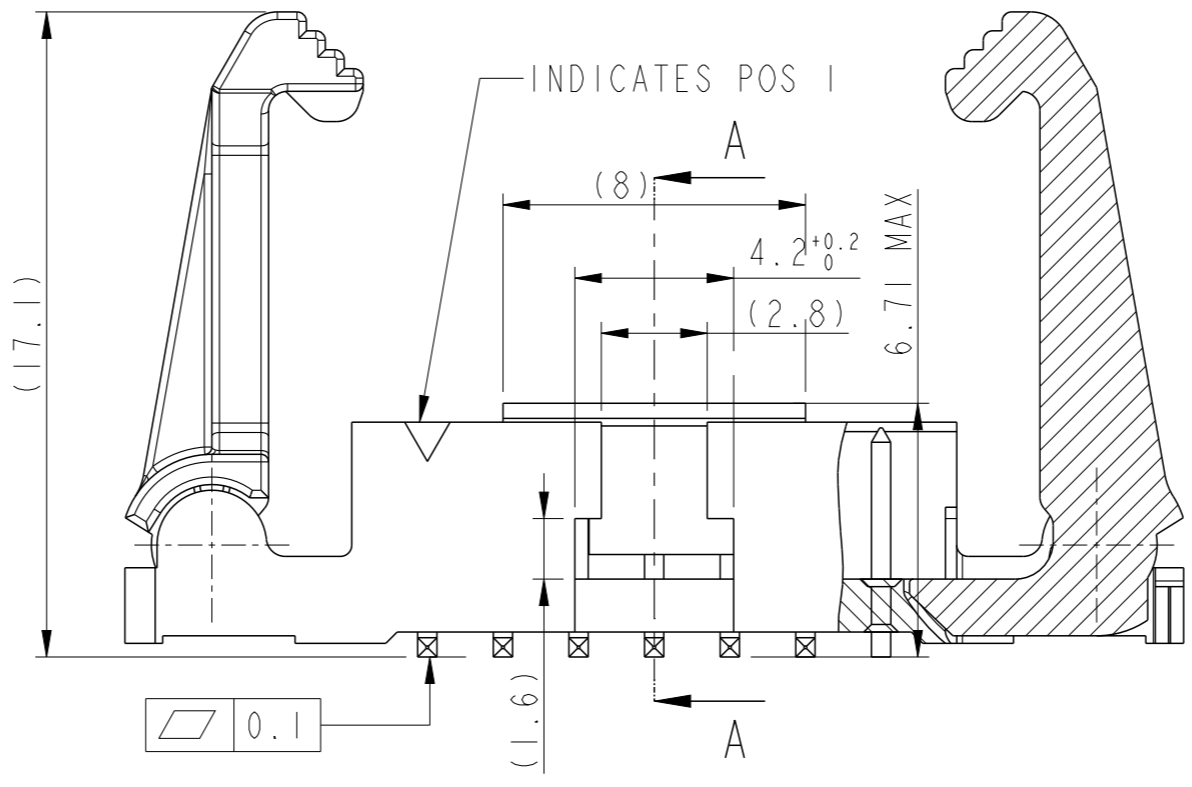
SIZE: TOTAL NB OF POSITIONS
 SEE SHEET 2

PACKAGING. SEE NOTE 4

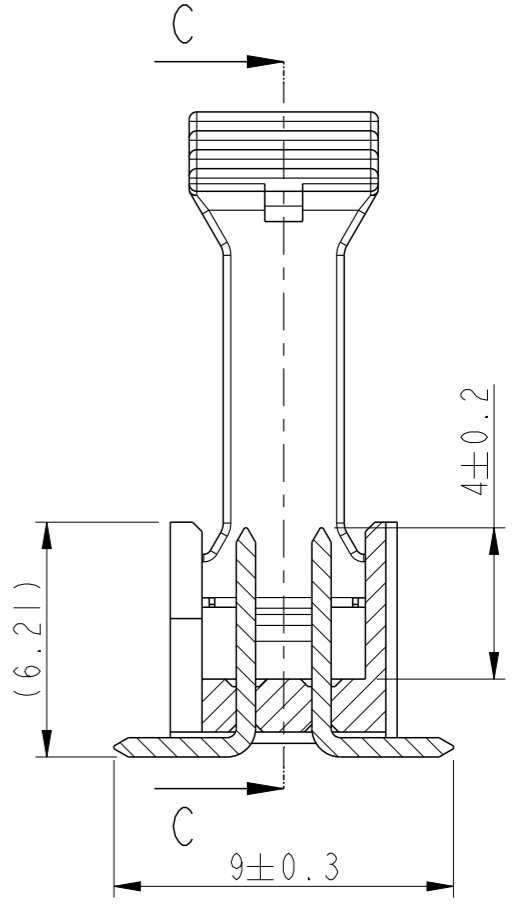
RoHS COMPATIBLE, SEE NOTE 5.



OPENED POSITION



SECTION C-C
 VIEW WITH STANDARD LATCH



SECTION A-A

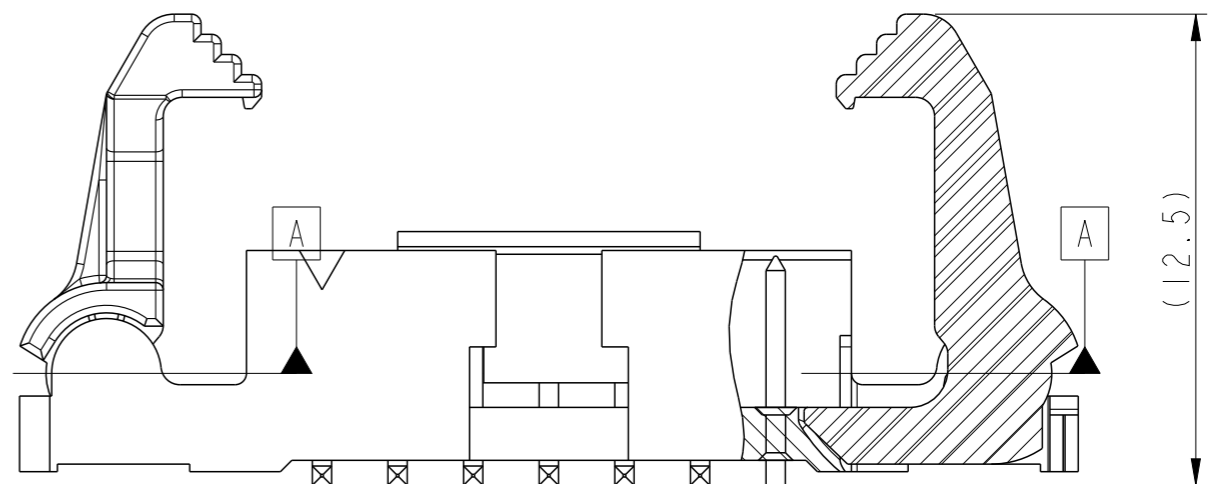
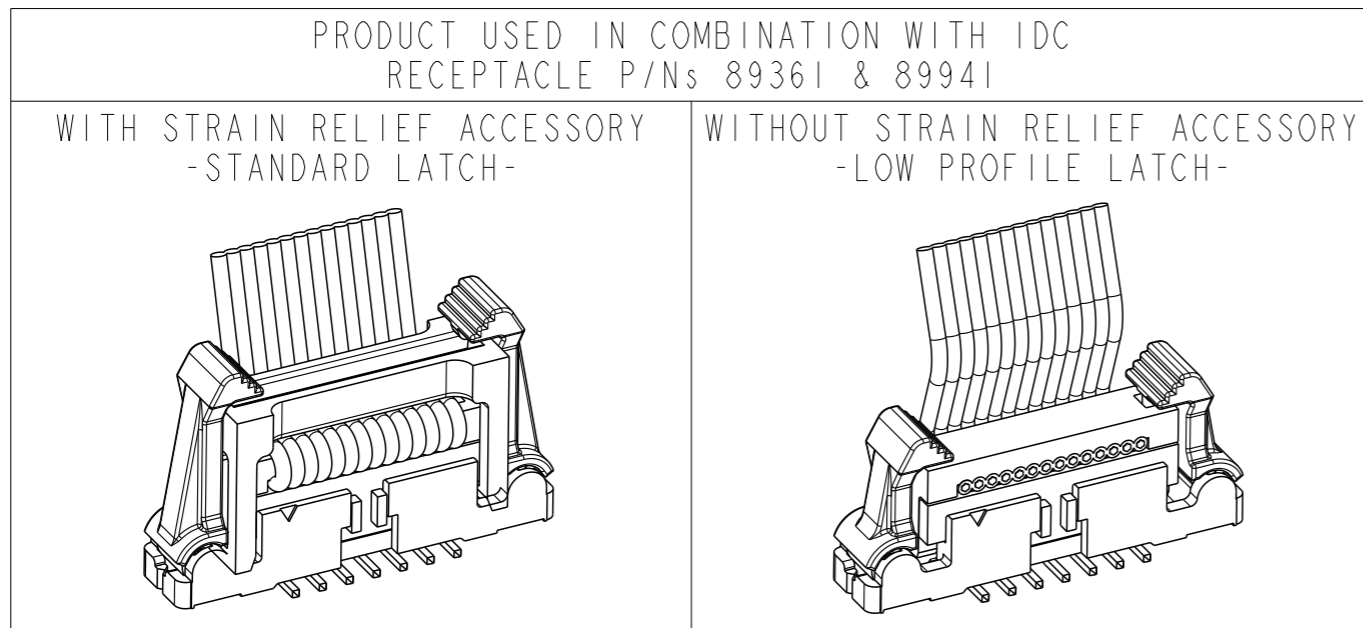
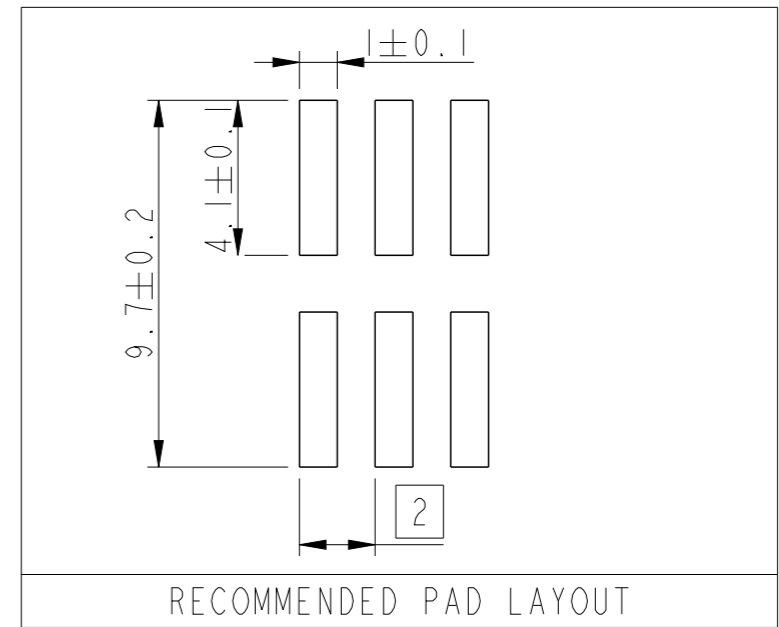
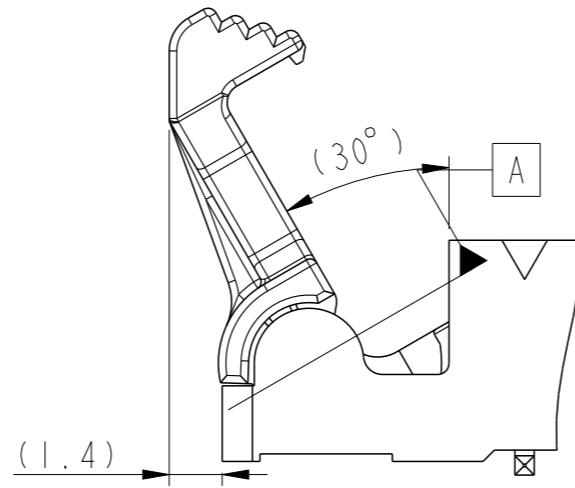
- NOTES :
- 1- MATERIAL HOUSING: HIGH TEMPERATURE THERMOPLASTIC UL 94 VO . COLOR CREAM.
 - MATERIAL LATCH : HIGH TEMPERATURE THERMOPLASTIC UL 94 VO . COLOR BLACK.
 - 2 - MATERIAL TERMINAL : COPPER ALLOY
 - 3- PIN RETENTION IN EITHER DIRECTION : 7N MIN
 - 4 - PACKAGING
 U= TUBE WITHOUT PICK UP CAP.
 B= TUBE WITH PICK UP CAP.
 A= TAPE & REEL WITH PICK UP CAP.
 - 5- ROHS COMPATIBLE PRODUCT SPECIFICATIONS :
 a- PLATING :
 "LF" MEANS THE PRODUCT IS LEAD FREE
 2µm MINIMUM MATTE TIN ON TAIL OVER 1.27 µm NICKEL UNDERPLATE
 b- MANUFACTURING PROCESS COMPATIBILITY
 THE HOUSING WILL WITHSTAND EXPOSURE TO 260 °C PEAK TEMPERATURE FOR 30 SECONDS MAX IN A CONVECTION, INFRA RED, VAPOR PHASE OR REFLOW OVEN
 c- LABELLING
 MEETS PACKAGING SPECS AS PER GS-14-920.
 d- THIS PRODUCT MEETS EUROPEAN DIRECTIVES AND OTHER COUNTRY REGULATION AS DESCRIBED IN GS-47-0004.

spec ref	-	dr	Sawanth, Ambaa	2020/12/10	projection	mm	size	A3	scale	5:1		
tolerance std	ISO 406 ISO 1101	eng	Detouillon, Da	2021/06/14		mm	ecn no	A3	rel level	Released		
TOLERANCES UNLESS OTHERWISE SPECIFIED		chr	-	-							product family	-
surface	linear	0.X	±0.3	Amphenol FCI	EJECT LATCH HEADER VERTICAL SMT	cat. no.	-	Product - Customer Drw	sheet 1 of 2	rev		
	0.XX	±0.10	dwg no								10078995	D
	0.XXX	±0.05										
	angular	0°	±2°									

Amphenol FCI

© 2020 Amphenol Corporation

SIZE	POSITIONS	DIM A	DIM B
06	2X3	4.00	20.00
08	2X4	6.00	22.00
10	2X5	8.00	24.00
12	2X6	10.00	26.00
14	2X7	12.00	28.00
24	2X12	22.00	38.00
30	2X15	28.00	44.00
40	2X20	38.00	54.00
44	2X22	42.00	58.00
50	2X25	48.00	64.00



SECTION C-C

EXAMPLE 10078995-G02-14YLF
LOW PROFILE LATCH

spec ref	-	dr	Sawanth, Ambaa	2020/12/10	projection	mm	size	A3	scale	5:1	
tolerance std	ISO 406 ISO 1101	eng	Detouillon, Da	2021/06/14			ecn no	ELX-F-41176-1			
TOLERANCES UNLESS OTHERWISE SPECIFIED		chr	-	-			rel level	Released			
surface	linear	0.X	±0.3		product family		-	dwg no 10078995	rev		D
		0.XX	±0.10		EJECT LATCH HEADER		Product - Customer Drw		sheet 2 of 2		
	angular	0°	±2°		VERTICAL SMT		STATUS:Released		Printed: May 25, 2022		
ISO 1302				cat. no.	-						

Creo File:ELX-WC-A3C.REV F.2020-12-21