



MADE  
IN THE USA

### Product Description:

- Caddy Dispenser - Clip-On
- Holds a variety of medical supplies including wet wipe canisters in various sizes
- Clips to the side of BOWMAN® protection systems that are greater than 4.00" deep
- Clear PETG Plastic

### Primary Area for Product Usage:

- Anywhere a BOWMAN® protection organizer is placed

### Dispenses:

- Canisters no larger than 5.98"W x 7.52"H x 5.98"D (15.2 cm x 19.1 cm x 15.2 cm)
- Can be used to hold miscellaneous items in bulk

### Package Specifications:

- Package Quantity: 6 per case
- 21"W x 14"H x 10"D (53.3 cm x 35.6 cm x 25.4 cm)
- 8 lbs (3.6 kg) - approximated

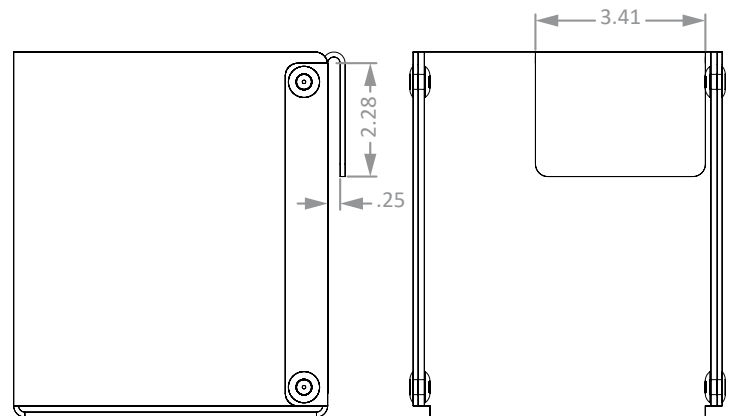
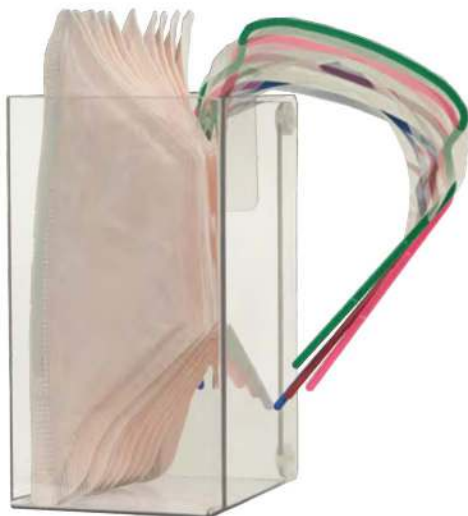
### Product Specifications (overall external dimensions):

- 6.20"W x 7.33"H x 6.65"D (15.7 cm x 18.6 cm x 16.9 cm)
- 0.9 lb (0.4 kg) - approximated

### Mounting Specifications:

### Related Products (each sold separately):

- MP-085: Caddy Dispenser - Clip On (shown below)

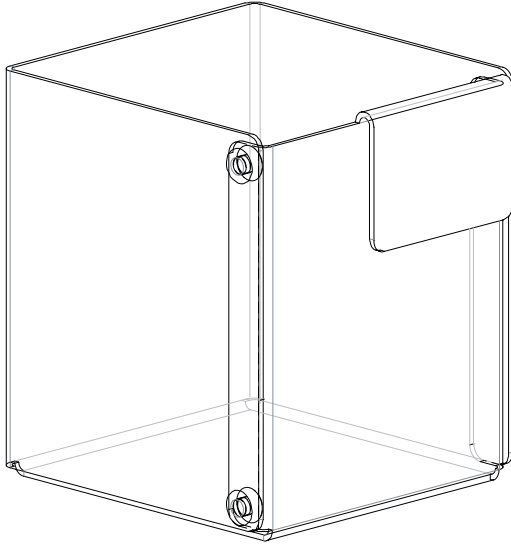




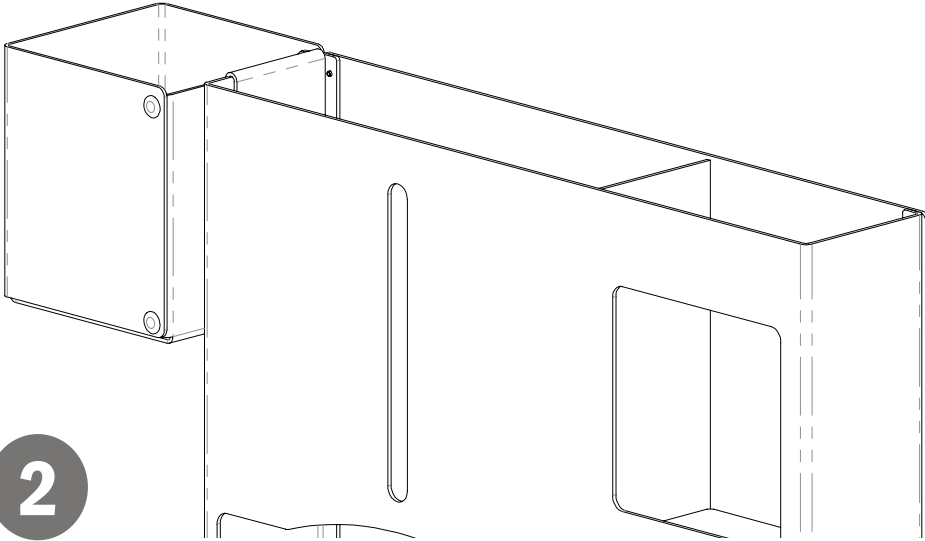
## Installation

Always mount dispensers securely *prior* to loading with product.

- Clear material allows full view of contents.



- Clip over the top, side of a BOWMAN protection system to hold needed items such as wipes, safety glasses, or shields. (illustrated on PS016-0212)



### Parts included:

- Dispenser

### Tools Required:

- No tools required to assemble dispenser

## Care and Construction

PETG Plastic

### Material Characteristics

#### Designed for Long-Term, Heavy-Duty Applications

Copolyester resin is designed for heavy-duty applications, and is used by BOWMAN® Dispensers. We never use acrylic in our products.

Copolyester (PETG) is typically 15-20 times tougher than general purpose acrylic. PETG is made to withstand handling and reduce losses due to breakage.

PETG resists a variety of chemicals and commonly used cleaning agents, such as PDI wipes. It is tough and durable (not brittle), providing years of trouble-free functionality and long life.

Clear optical characteristics mean the viewer can see the content, read text, and see true colors through the material. It complies with FDA regulations for food contact.

### Care and Cleaning

Most cleaning chemicals do not weaken the surface or cause damage to the material. Suggested cleaning method is to use a soft cloth, warm water, and mild soap.