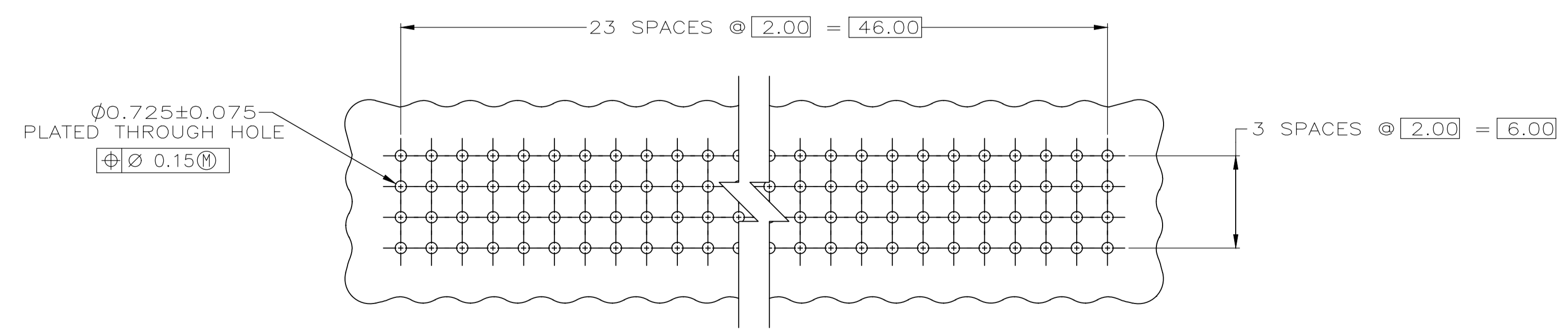
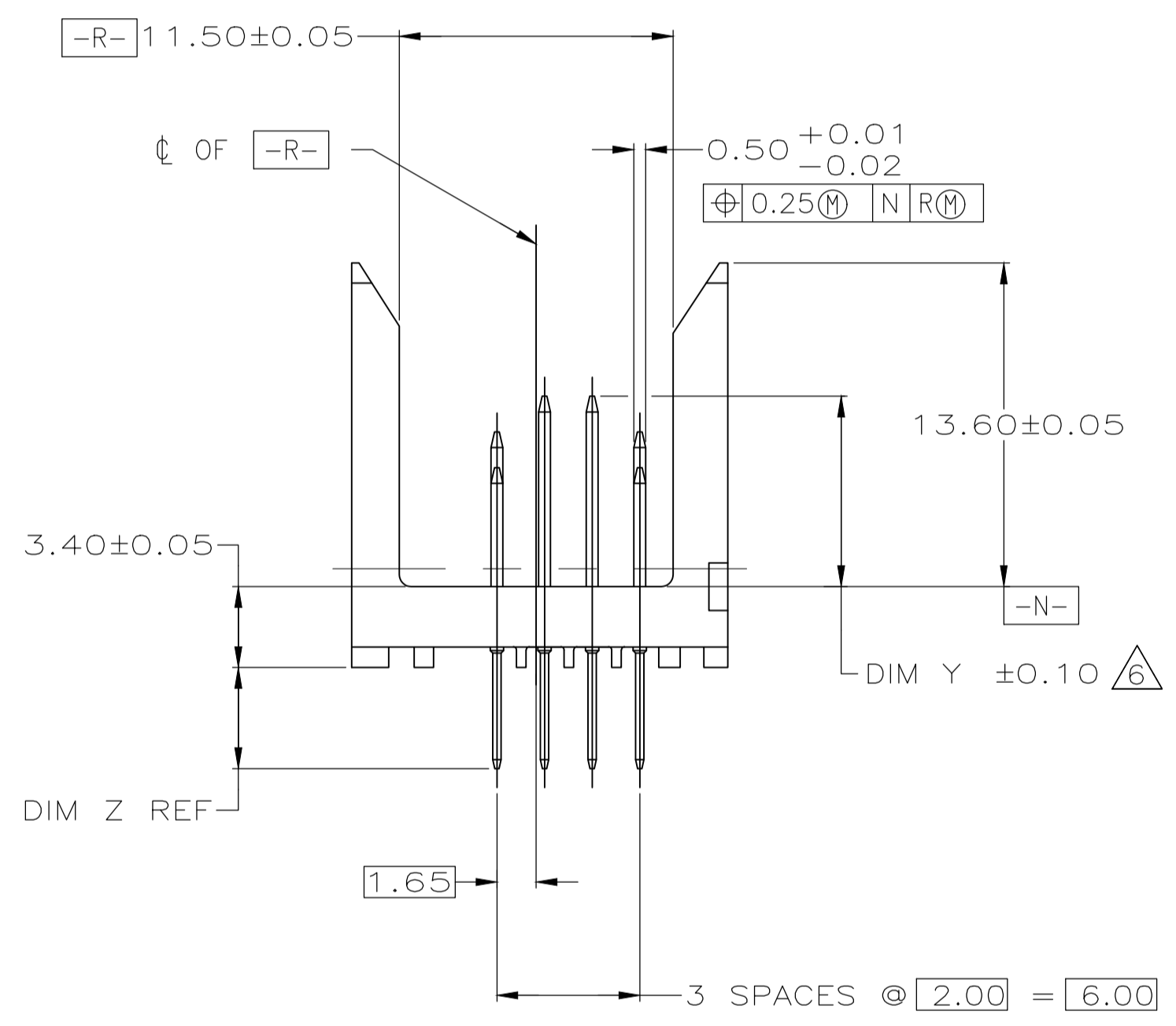
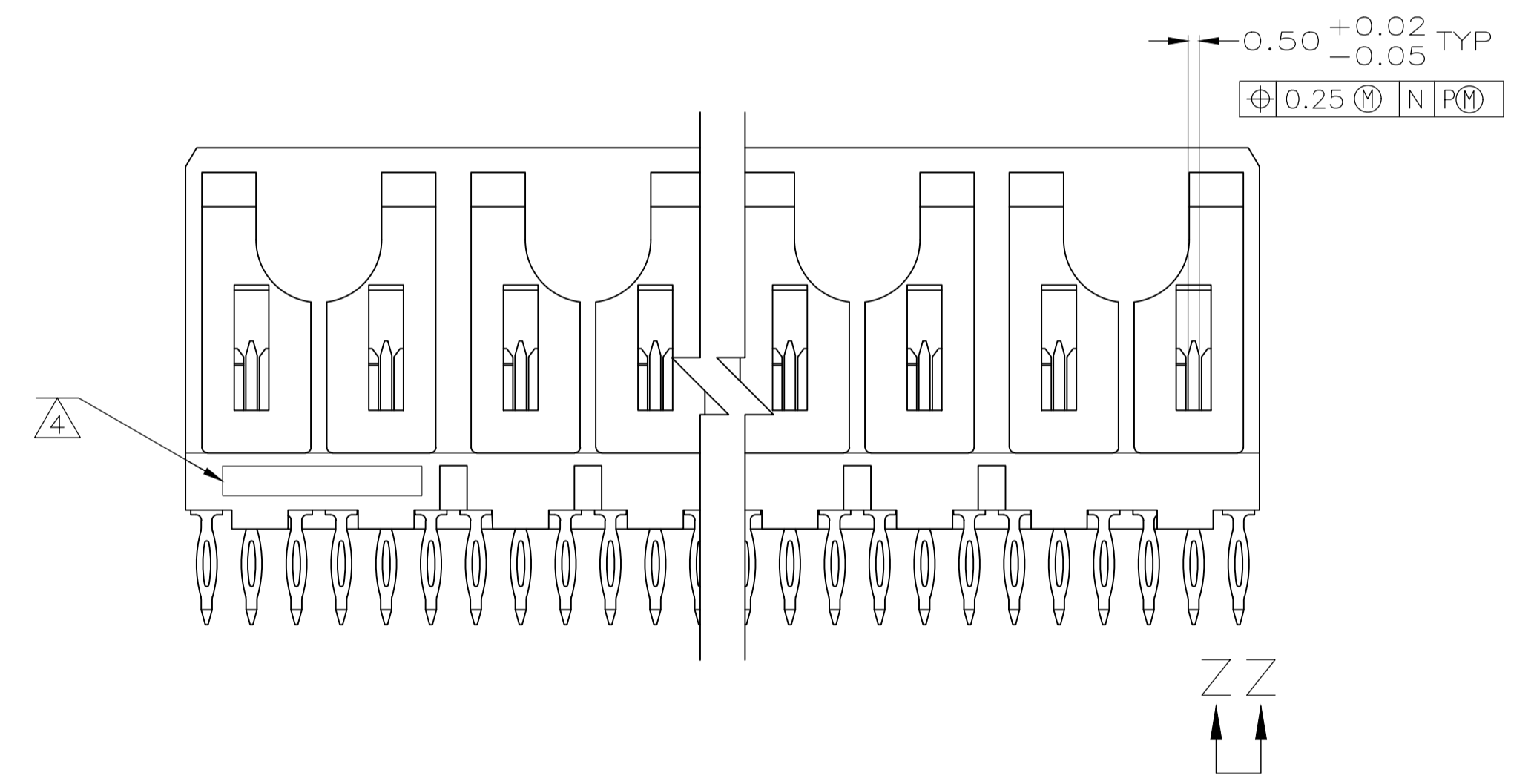
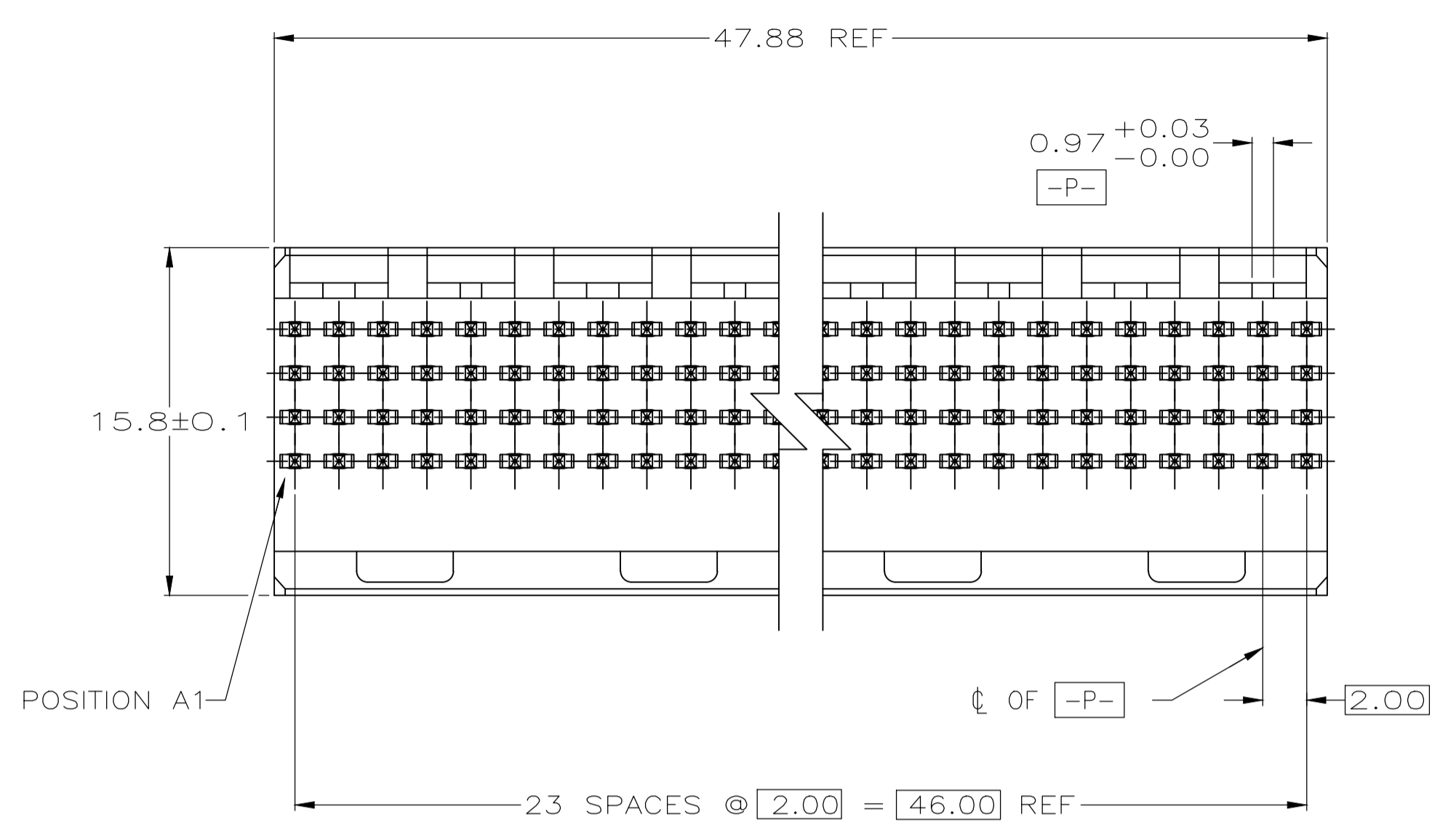
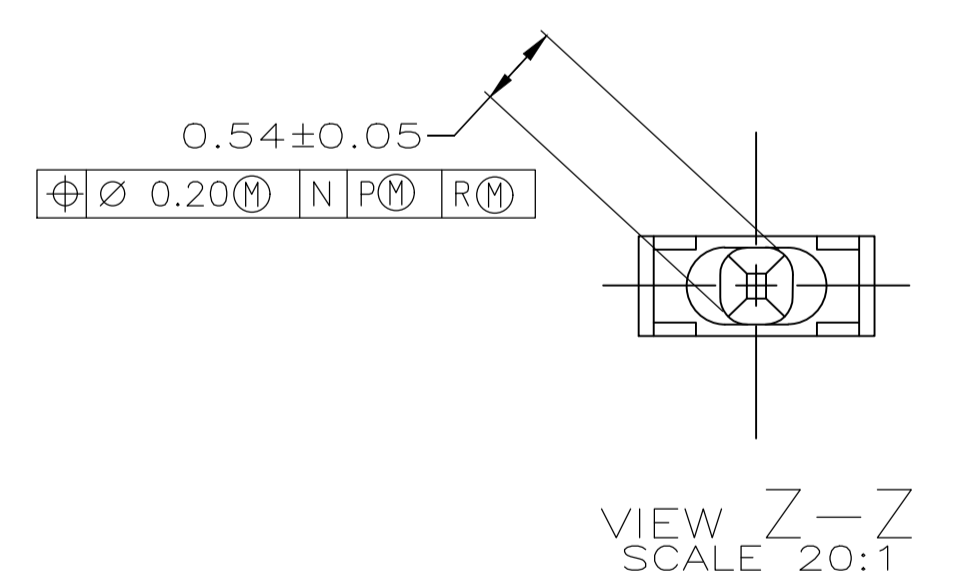


REVISIONS				
P	LTR	DESCRIPTION	DATE	APP'D
C		REVISED PER ECO-20-013368	25SEP2020	RZ HL



RECOMMENDED CIRCUIT PATTERN
PER IPC-D300 TYPE II, CLASS C
(COMPONENT SIDE)

- △ HOUSING MATERIAL: LIQUID CRYSTAL POLYMER.
COLOR: NATURAL.
- △ CONTACT MATERIAL: PHOSPHOR BRONZE.
- △ CONTACT FINISH:(B)
UNDERPLATE (ENTIRE CONTACT):
0.00127 MIN NICKEL PER SAE-AMS-QQ-N-290
ON MATING SURFACES:
CONFORMS TO ALL TESTING SPECIFIED FOR TELCORDIA
UNCONTROLLED ENVIRONMENT.
ON LEADS:
0.0006 MIN MATTE TIN PER ASTM B 545 OVER UNDERPLATE.
LUBRICATION (MIN MATING SURFACES):
SURFACE CONDITIONER AFTER PLATING.
- △ PART MARKING, LOCATED APPROXIMATELY AS SHOWN.
- 5. SEE SHEET 2 FOR SEQUENCING CHARTS.
- △ DIMENSION APPLIES WHEN SEATED ON PRINTED CIRCUIT BOARD.



THIS DRAWING IS A CONTROLLED DOCUMENT.		DIN B MCMASTER 150EC04	TE Connectivity													
		CHK R WERTZ 150EC04														
DIMENSIONS: mm		TOLERANCES UNLESS OTHERWISE SPECIFIED:	APPROD R WERTZ 150EC04	NAME												
<table border="1"> <tr><td>0. PLC</td><td>± -</td></tr> <tr><td>1. PLC</td><td>± -</td></tr> <tr><td>2. PLC</td><td>± 0.13</td></tr> <tr><td>3. PLC</td><td>± -</td></tr> <tr><td>4. PLC</td><td>± -</td></tr> <tr><td>ANGLES</td><td>± -</td></tr> </table>		0. PLC	± -	1. PLC	± -	2. PLC	± 0.13	3. PLC	± -	4. PLC	± -	ANGLES	± -	PRODUCT SPEC	PIN ASSY SIGNAL MODULE,Z-PACK 2mm FB 4R 96 POSN,PRESS FIT LEADS WITH SEQUENCING	
0. PLC	± -															
1. PLC	± -															
2. PLC	± 0.13															
3. PLC	± -															
4. PLC	± -															
ANGLES	± -															
MATERIAL		FINISH	APPLICATION SPEC	RESTRICTED TO												
<table border="1"> <tr><td>1</td><td>2</td><td>3</td></tr> </table>		1	2	3	WEIGHT 0	SIZE A1	CAGE CODE 00779									
1	2	3														
CUSTOMER DRAWING		DRAWING NO 5223613	SCALE 4:1	SHEET 1 OF 2												

REVISIONS				
REV	DATE	DESCRIPTION	BY	APP'D
1		SEE SHEET 1		

D	A	J	J	J	J	J	J	J	J	J	J	J	J	J	J	J	J	J	J	A	A	D			
C	A	J	J	J	J	J	J	J	J	J	J	J	J	J	J	J	J	J	J	A	T	C			
B	J	J	J	J	J	J	J	J	J	J	J	J	J	J	J	J	J	J	J	J	T	B			
A	A	J	J	J	J	J	J	J	J	J	J	J	J	J	J	J	J	J	J	J	A	A			
ROW	1	2	3	4	5	6	7	8	9	10	11	12	13	14	15	16	17	18	19	20	21	22	23	24	ROW

CONTACT LOAD CHART

5223613-1
PART NUMBER

D	J	A	J	A	J	A	J	A	J	A	J	A	J	A	J	A	J	A	J	A	J	A	D		
C	A	J	A	J	A	J	A	J	A	J	A	J	A	J	A	J	A	J	A	J	A	J	A	C	
B	T	A	T	A	T	A	T	A	T	A	T	A	T	A	T	A	T	A	T	A	T	A	T	B	
A	A	T	A	T	A	T	A	T	A	T	A	T	A	T	A	T	A	T	A	T	A	T	A	A	
ROW	1	2	3	4	5	6	7	8	9	10	11	12	13	14	15	16	17	18	19	20	21	22	23	24	ROW

CONTACT LOAD CHART

1-5223613-5
PART NUMBER

D	N	E	N	J	N	E	N	E	N	E	N	E	N	E	N	J	J	N	N	N	N	N	N	D	
C	E	N	J	J	J	J	J	J	J	J	J	J	J	J	J	N	N	J	J	N	N	N	N	C	
B	J	J	J	J	J	J	J	J	J	J	J	J	J	J	E	N	J	J	N	N	N	N	J	N	B
A	J	J	J	J	J	J	J	J	J	J	J	J	J	J	N	N	J	J	N	N	N	N	N	A	
ROW	1	2	3	4	5	6	7	8	9	10	11	12	13	14	15	16	17	18	19	20	21	22	23	24	ROW

CONTACT LOAD CHART

4-5223613-7
OBSOLETE
PART NUMBER

D	A	T	J	T	J	T	J	T	J	T	J	T	J	T	J	T	J	T	J	T	J	T	D		
C	T	J	T	J	T	J	T	J	T	J	T	J	T	J	T	J	T	J	T	J	T	J	T	C	
B	J	T	J	T	J	T	J	T	J	T	J	T	J	T	J	T	J	T	J	T	J	T	J	B	
A	A	J	T	J	T	J	T	J	T	J	T	J	T	J	T	J	T	J	T	J	T	J	T	A	
ROW	1	2	3	4	5	6	7	8	9	10	11	12	13	14	15	16	17	18	19	20	21	22	23	24	ROW

CONTACT LOAD CHART

5223613-2
PART NUMBER

D	H	H	H	H	H	H	H	H	H	H	H	H	H	H	H	H	H	H	H	H	H	H	H	D	
C	S	S	S	S	S	S	S	S	S	S	S	S	S	S	S	S	S	S	S	S	S	S	S	C	
B	S	S	S	S	S	S	S	S	S	S	S	S	S	S	S	S	S	S	S	S	S	S	S	B	
A	H	H	H	H	H	H	H	H	H	H	H	H	H	H	H	H	H	H	H	H	H	H	H	A	
ROW	1	2	3	4	5	6	7	8	9	10	11	12	13	14	15	16	17	18	19	20	21	22	23	24	ROW

CONTACT LOAD CHART

1-5223613-8
PART NUMBER

D	E	A	A	A	A	A	A	A	A	A	A	A	A	A	A	A	A	A	A	A	E	D			
C	E	A	A	A	A	A	A	A	A	A	A	A	A	A	A	A	A	A	A	A	E	C			
B	E	A	A	A	A	A	A	A	A	A	A	A	A	A	A	A	A	A	A	A	E	B			
A	E	A	A	A	A	A	A	A	A	A	A	A	A	A	A	A	A	A	A	A	E	A			
ROW	1	2	3	4	5	6	7	8	9	10	11	12	13	14	15	16	17	18	19	20	21	22	23	24	ROW

CONTACT LOAD CHART

5223613-3
OBSOLETE
PART NUMBER

D	T	E	E	E	E	E	E	E	E	E	E	E	E	E	E	E	E	E	E	E	T	D			
C	E	E	E	E	E	E	E	E	E	E	E	E	E	E	E	E	E	E	E	E	E	C			
B	E	N	E	E	E	E	E	E	E	E	E	E	E	E	E	E	E	E	E	E	E	B			
A	T	E	E	E	E	E	E	E	E	E	E	E	E	E	E	E	E	E	E	E	T	A			
ROW	1	2	3	4	5	6	7	8	9	10	11	12	13	14	15	16	17	18	19	20	21	22	23	24	ROW

CONTACT LOAD CHART

1-5223613-9
PART NUMBER

D	U	U	U	U	U	U	U	U	U	U	U	U	U	U	U	U	U	U	U	U	U	U	D		
C	U	U	U	U	U	U	U	U	U	U	U	U	U	U	U	U	U	U	U	U	U	U	C		
B	U	U	U	U	U	U	U	U	U	U	U	U	U	U	U	U	U	U	U	U	U	U	B		
A	U	U	U	U	U	U	U	U	U	U	U	U	U	U	U	U	U	U	U	U	U	U	A		
ROW	1	2	3	4	5	6	7	8	9	10	11	12	13	14	15	16	17	18	19	20	21	22	23	24	ROW

CONTACT LOAD CHART

5223613-4
PART NUMBER

D	E	E	E	E	E	E	E	E	E	E	E	E	E	E	E	E	E	E	E	E	E	D			
C	E	E	E	E	E	E	E	E	E	E	E	E	E	E	E	E	E	E	E	E	E	C			
B	E	E	E	E	E	E	E	E	E	E	E	E	E	E	E	E	E	E	E	E	E	B			
A	E	E	E	E	E	E	E	E	E	E	E	E	E	E	E	E	E	E	E	E	E	A			
ROW	1	2	3	4	5	6	7	8	9	10	11	12	13	14	15	16	17	18	19	20	21	22	23	24	ROW

CONTACT LOAD CHART

4-5223613-0
PART NUMBER

D	A	T	T	T	T	T	T	T	T	T	T	T	T	T	T	T	T	T	T	T	T	D			
C	T	A	A	A	A	A	A	A	A	A	A	A	A	A	A	A	A	A	A	A	A	C			
B	A	J	J	J	J	J	J	J	J	J	J	J	J	J	J	J	J	J	J	J	J	B			
A	J	A	A	A	A	A	A	A	A	A	A	A	A	A	A	A	A	A	A	A	A	A			
ROW	1	2	3	4	5	6	7	8	9	10	11	12	13	14	15	16	17	18	19	20	21	22	23	24	ROW

CONTACT LOAD CHART

5223613-5
PART NUMBER

D	E	E	E	E	E	E	E	E	E	E	E	E	E	E	E	E	E	J	J	E	N	D			
C	E	E	E	E	E	E	E	E	E	E	E	E	E	E	E	E	E	J	J	E	N	C			
B	E	E	E	E	E	E	E	E	E	E	E	E	E	E	E	E	E	J	J	E	N	B			
A	E	E	E	E	E	E	E	E	E	E	E	E	E	E	E	E	E	J	J	E	N	A			
ROW	1	2	3	4	5	6	7	8	9	10	11	12	13	14	15	16	17	18	19	20	21	22	23	24	ROW

CONTACT LOAD CHART

4-5223613-1
PART NUMBER

D	J	T	A	A	A	A	A	A	A	A	A	A	A	A	A	A	A	A	A	A	T	D			
C	J	T	A	A	A	A	A	A	A	A	A	A	A	A	A	A	A	A	A	A	T	C			
B	J	T	A	A	A	A	A	A	A	A	A	A	A	A	A	A	A	A	A	A	T	B			
A	J	T	A	A	A	A	A	A	A	A	A	A	A	A	A	A	A	A	A	A	T	A			
ROW	1	2	3	4	5	6	7	8	9	10	11	12	13	14	15	16	17	18	19	20	21	22	23	24	ROW

CONTACT LOAD CHART

5223613-6
PART NUMBER

D	M	M	M	M	M	M	M	M	M	M	M	M	M	M	M	M	M	E	E	E	E	D			
C	T	T	T	T	T	T	T	T	T	T	T	T	T	T	T	T	T	E	E	E	E	C			
B	T	T	T	T	T	T	T	T	T	T	T	T	T	T	T	T	T	E	E	E	E	B			
A	M	M	M	M	M	M	M	M	M	M	M	M	M	M	M	M	M	E	E	E	E	A			
ROW	1	2	3	4	5	6	7	8	9	10	11	12	13	14	15	16	17	18	19	20	21	22	23	24	ROW

CONTACT LOAD CHART

4-5223613-3
PART NUMBER

D	J	J	J	J	J	J	J	T	J	T	J	J	J	J	J	J	J	J	J	J	J	D			
C	J	J	J	J	J	J	J	T	T	T	T	J	J	J	J	J	J	J	J	J	J	C			
B	J	J	J	J	J	J	J	T	T	T	T	J	J	J	J	J	J	J	J	J	J	B			
A	J	J	J	J	J	J	J	T	T	T	T	J	J	J	J	J	J	J	J	J	J	A			
ROW	1	2	3	4	5	6	7	8	9	10	11	12	13	14	15	16	17	18	19	20	21	22	23	24	ROW

CONTACT LOAD CHART

5223613-7
PART NUMBER

D	E	E	E	E	E	E	E	E	E	E	E	E	E	E	E	E	E	E	E	E	E	D			
C	E	N	E	E	E	E	E	E	E	E	E	E	E	E	E	E	E	E	E	E	E	C			
B	E	N	E	E	E	E	E	E	E	E	E	E	E	E	E	E	E	E	E	E	E	B			
A	E	N	E	E	E	E	E	E	E	E	E	E	E	E	E	E	E	E	E	E	E	A			
ROW	1	2	3	4	5	6	7	8	9	10	11	12	13	14	15	16	17	18	19	20	21	22	23	24	ROW

CONTACT LOAD CHART

4-5223613-5
OBSOLETE
PART NUMBER

D	J	J	J	J	J	J	J	T	J	T	J	J	J	J	J	J	J	J	J	J	J	D
C	J	J	J	J	J	J	J	T	T	T	T	J	J	J	J	J	J	J	J	J	J	C
B	J	J	J	J	J	J	J	T	T	T	T	J	J	J	J	J	J	J	J	J	J	B
A	J	J	J	J	J	J	J	T	T	T	T	J	J	J	J	J	J	J	J	J	J	A
ROW	1	2	3	4	5	6	7	8	9	10	11	12	13	14	15	16	17	18	19			