



**Electrical Specifications**

**Insertion Loss @ 250-700 MHz:** 0.6 dB Max  
**VSWR @ 250-700 MHz:** 1.25:1  
**Stopbands:** >60 dB @ 8 MHz  
**Phase Linearity:**  $\pm 3^\circ$  Max @ 250-700 MHz  
 $\pm 0.25^\circ$  Max @ 510-560 MHz  
 $\pm 0.25^\circ$  Max @ 610-660 MHz

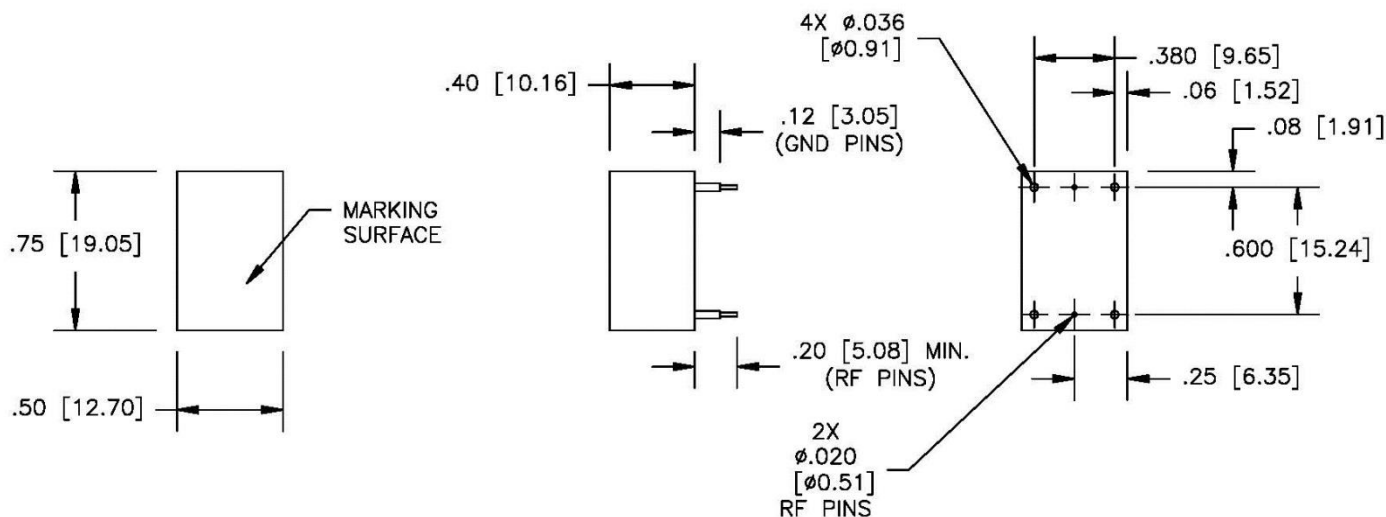
**Mechanical**

**Dimensions:** 0.75 x 0.50 x 0.40 Inches

**Environmental**

**Operating Temperature:** -25 to +85° C

**Outline Drawing:**



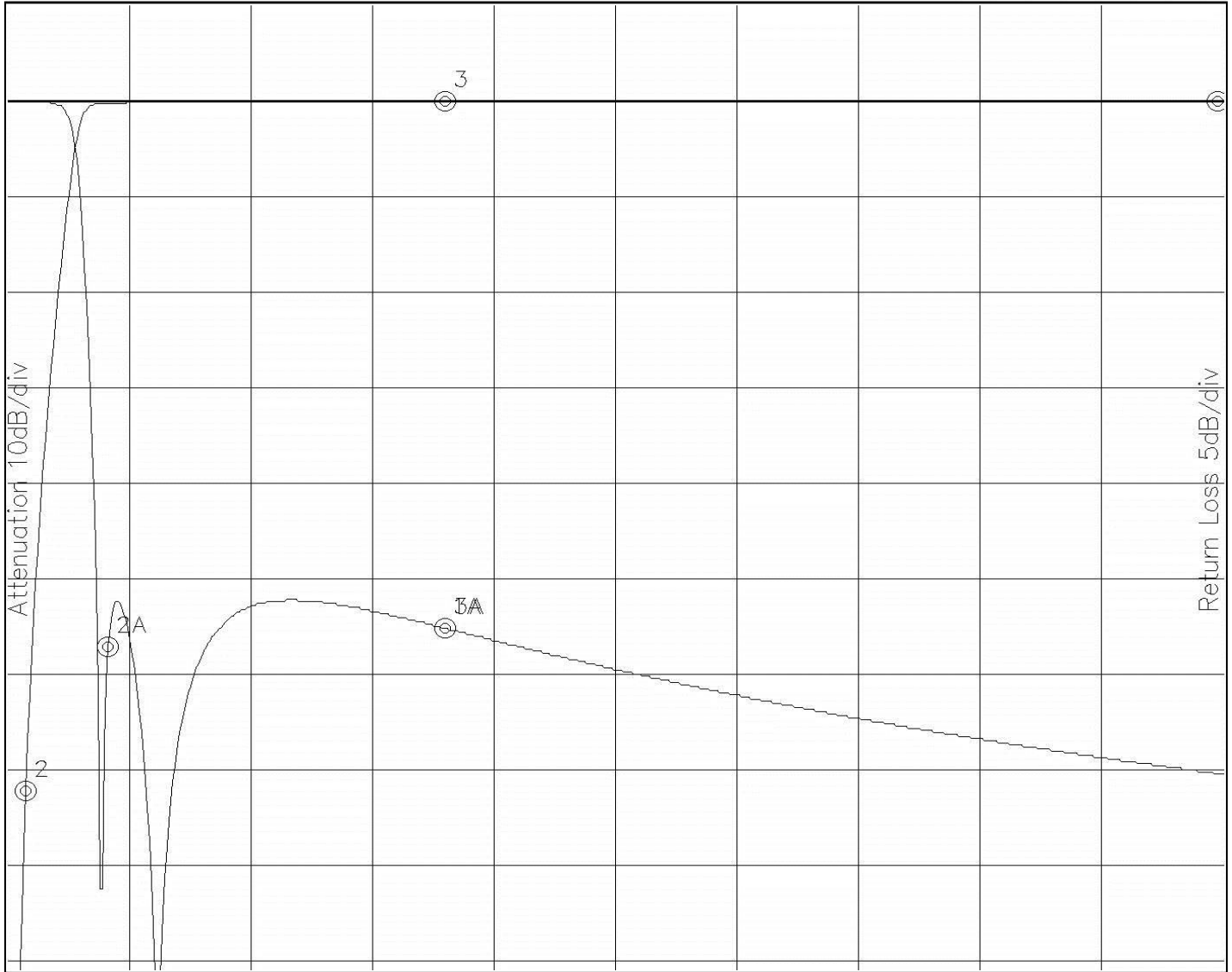


**Response Plot:**

A460.lad

DEC 10, 2014

Attenuation/Return Loss



Attenuation Start: 0.010Hz Stop: 700.0MHz

Return Loss Start: 0.010Hz Stop: 700.0MHz

Marker 1 Freq 696.60MHz Atten -0.002dB  
 Marker 2 Freq 9.047MHz Atten -71.921dB  
 Marker 3 Freq 251.05MHz Atten -0.014dB

Marker 1A Freq 251.05MHz Ret Loss -27.505dB  
 Marker 2A Freq 56.543MHz Ret Loss -28.499dB  
 Marker 3A Freq 251.05MHz Ret Loss -27.505dB