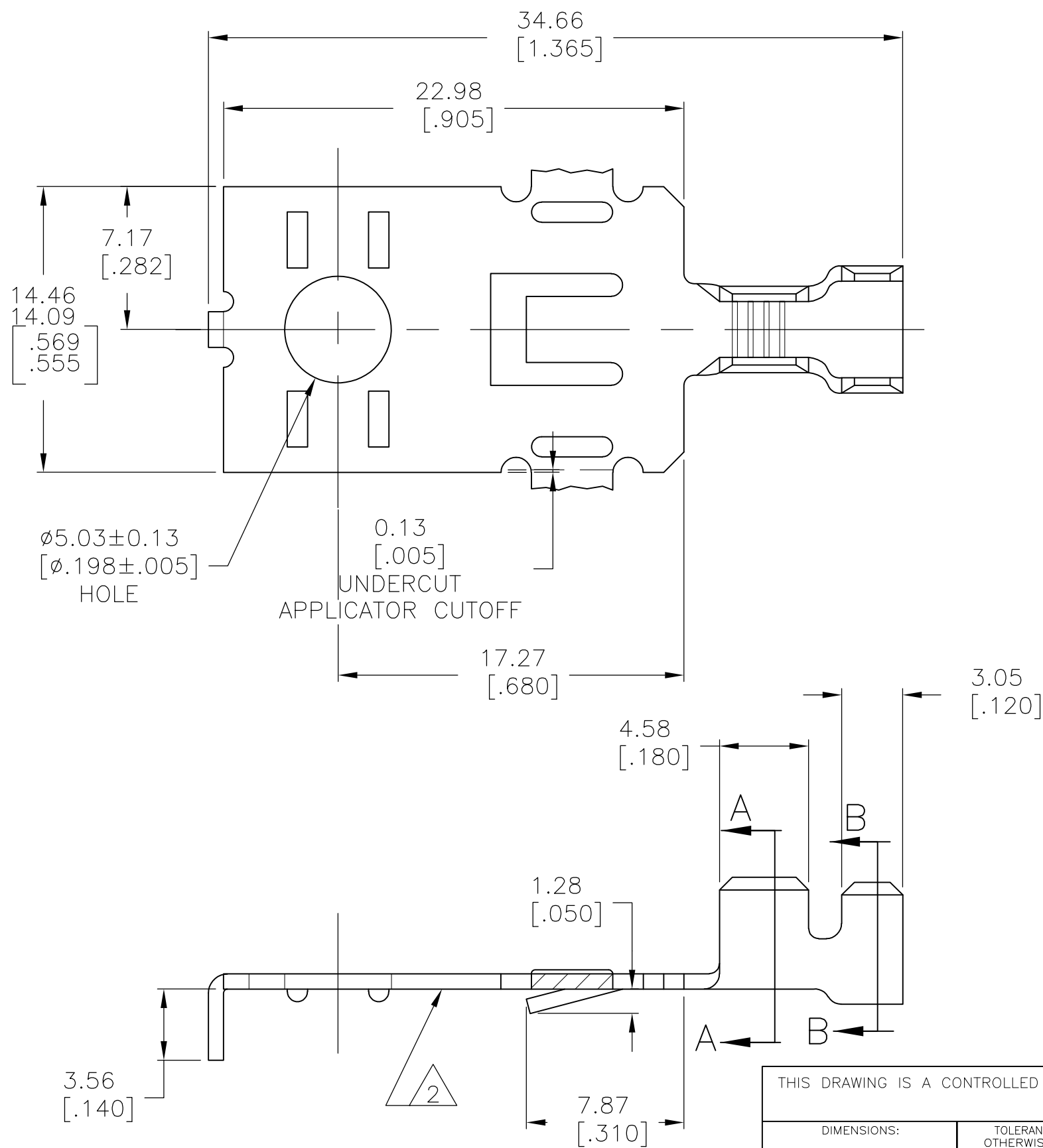
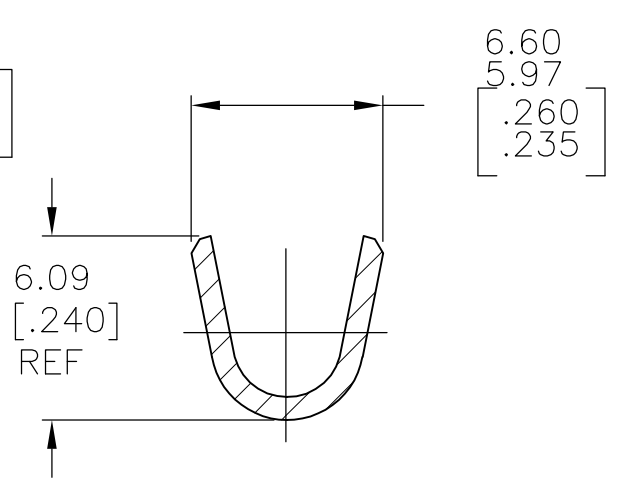
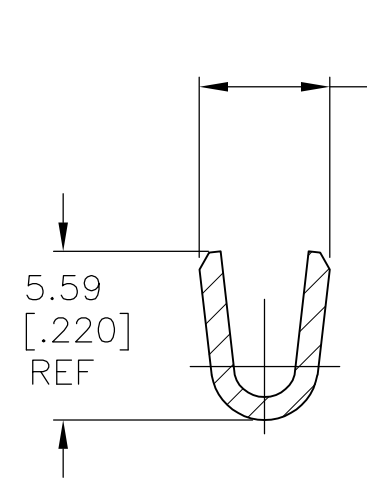


THIS DRAWING IS UNPUBLISHED. RELEASED FOR PUBLICATION
 © COPYRIGHT BY TYCO ELECTRONICS CORPORATION. ALL RIGHTS RESERVED.

LOC	DIST	REVISIONS					
		P	LTR	DESCRIPTION	DATE	DWN	APVD
AF	50		F	REVISED PER ECR-08-007741	08JUL08	HMR	GJ



- 1 CONTINUOUS STRIP ON REELS
- 2 VERTICAL BURRS NOT TO EXCEED .005 ALONG THIS EDGE.
- 3 REELED WITH WIRE BARREL OPENING FACING THE CORE
- 4 WIRE SIZE IS #16-#12 AWG OR 2X #14 AWG, [1.25mm² - 3.0mm² OR 2X 2.0mm²]
- 5 INSULATION RANGE IS 2.79 - 4.06 [.110-.160] DIA.



OBSOLETE	PRE-TIN	63166-5
	-	63166-4
	PRE-TIN	63166-3
	FINISH	PART NO.

THIS DRAWING IS A CONTROLLED DOCUMENT.

DIMENSIONS: mm [INCHES]	TOLERANCES UNLESS OTHERWISE SPECIFIED:
	0 PLC ± -
	1 PLC ± -
	2 PLC ± 0.25 [.010]
	3 PLC ± -
	4 PLC ± -
	ANGLES ± 1°
MATERIAL BRASS, 1/2 HARD	FINISH SEE TABLE

DWN JR RUTH 28JAN03	Tyco Electronics Tyco Electronics Corporation Harrisburg, Pa 17105-3608
CHK D DECKER 28JAN03	
APVD D DECKER 28JAN03	NAME
PRODUCT SPEC 108-1191	TERMINAL, POWER RING
APPLICATION SPEC 114-2087	
WEIGHT -	SIZE A3
CUSTOMER DRAWING	CAGE CODE 00779
	DRAWING NO G-63166
	RESTRICTED TO -
SCALE 4:1	SHEET 1 OF 1
	REV F