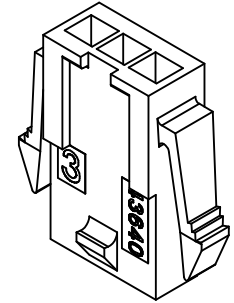


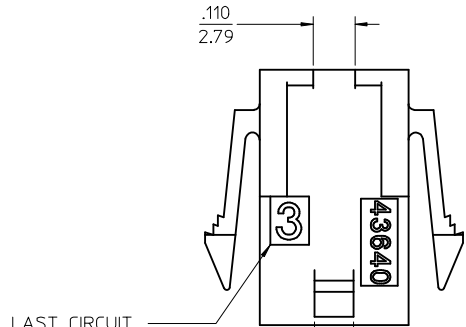
ASSEMBLY ITEM NUMBER	PART CHARACTERISTICS NUMBER OF POSITION
43640-0200	02
43640-0300	03
43640-0400	04
43640-0500	05
43640-0600	06
43640-0700	07
43640-0800	08
43640-0900	09
43640-1000	10
43640-1100	11
43640-1200	12

CKT. NO.	DIM. "A"	DIM. "B"	DIM. "C"	DIM. "D"
2	.270/6.85	.118/3.00	.284/7.21	.429/10.90
3	.388/9.85	.236/6.00	.402/10.21	.547/13.89
4	.506/12.85	.354/9.00	.520/13.21	.665/16.89
5	.624/15.85	.472/12.00	.638/16.21	.783/19.89
6	.742/18.85	.591/15.00	.756/19.21	.901/22.89
7	.860/21.85	.709/18.00	.874/22.20	1.019/25.88
8	.978/24.85	.827/21.00	.992/25.20	1.137/28.88
9	1.096/27.85	.945/24.00	1.110/28.20	1.255/31.88
10	1.215/30.85	1.063/27.00	1.229/31.22	1.373/34.87
11	1.333/33.85	1.181/30.00	1.347/34.22	1.491/37.87
12	1.451/36.85	1.299/33.00	1.465/37.22	1.609/40.87

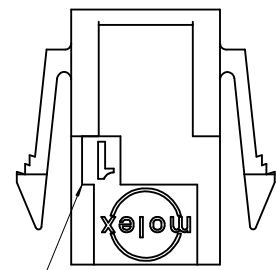
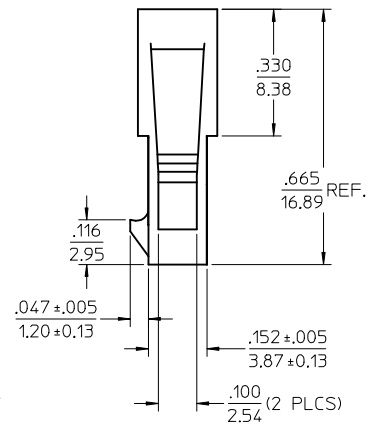
- NOTES:
- HOUSING MATERIAL: UNFILLED NYLON, RATED UL94V-0
COLOR IS BLACK, (LOW-HALOGEN)
 - FINISH: NONE
 - PRODUCT SPECIFICATION: PS-43650
 - PACKAGING SPECIFICATION: PK-43640-003
 - THIS HOUSING MATES WITH MICRO-FIT RECEPTACLE #43645-****.
 - THIS HOUSING IS DESIGNED IN METRIC
 - THIS HOUSING TO BE USED WITH MOLEX MALE TERMINAL #43031-****.
 - PLUG DESIGNED FOR .062/1.57 TO .090/2.30 THICK STAMPED PANEL OR PRINTED CIRCUIT BOARD.
 - SEE SECTION "D"- "D" FOR TERMINAL ORIENTATION IN HOUSING.
 - SEE SHEET 2 FOR PLUG WITHOUT PANEL MOUNTS.
 - PANEL MOUNT FEATURES MUST LOCK ON SIDE OPPOSITE PUNCH SIDE FOR OPTIMUM RETENTION.
 - LAST CIRCUIT INDICATOR IS NOT PRESENT ON 2 CIRCUIT HOUSING.
 - THIS PART CONFORMS TO CLASS B REQUIREMENTS OF COSMETIC SPECIFICATION PS-45499-002.



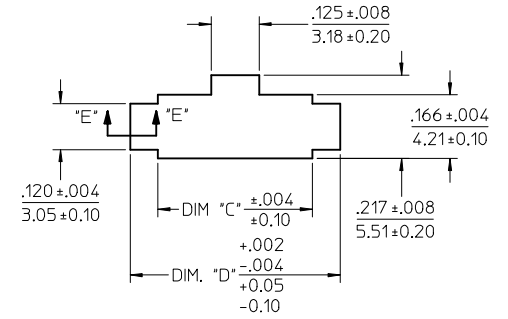
PLUG WITH PANEL MOUNTS



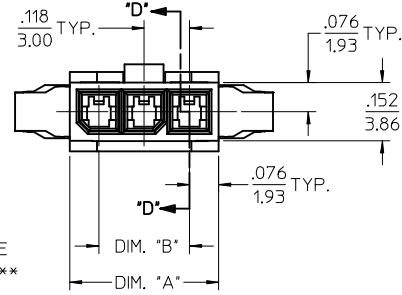
LAST CIRCUIT INDICATOR (SEE NOTE 12)



FIRST CIRCUIT INDICATOR

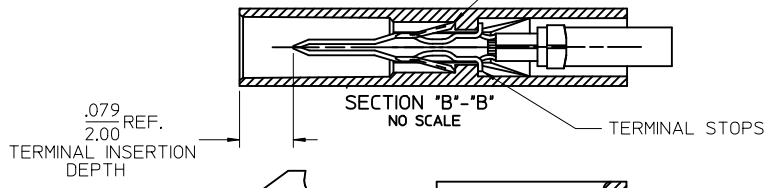


RECOMMENDED PANEL CUT-OUT (SEE NOTES 8 & 11)



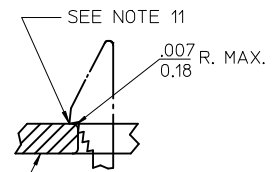
RECEPTACLE # 43645-****

PLUG # 43640-***00

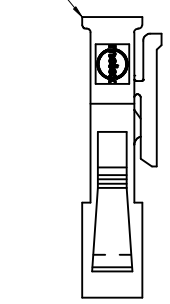


SECTION "B"- "B" NO SCALE

TERMINAL LOCKING TABS MUST BE FULLY SEATED TO HOUSING BEFORE MATING WITH OTHER HALF OF CONNECTOR SYSTEM.



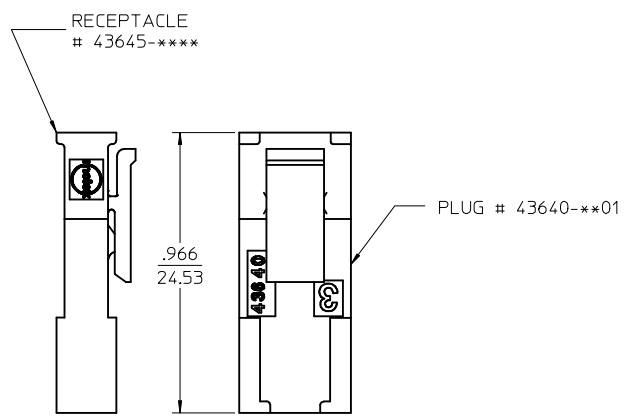
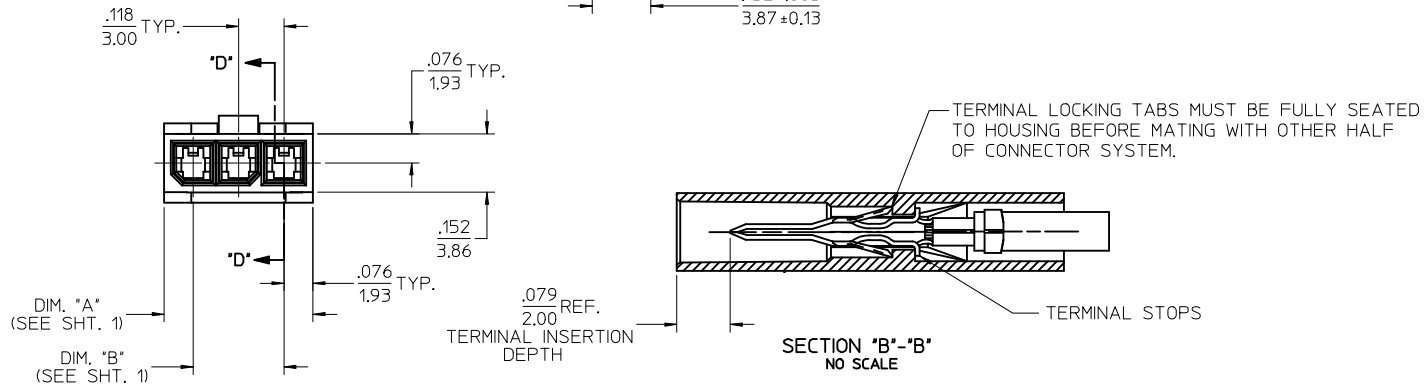
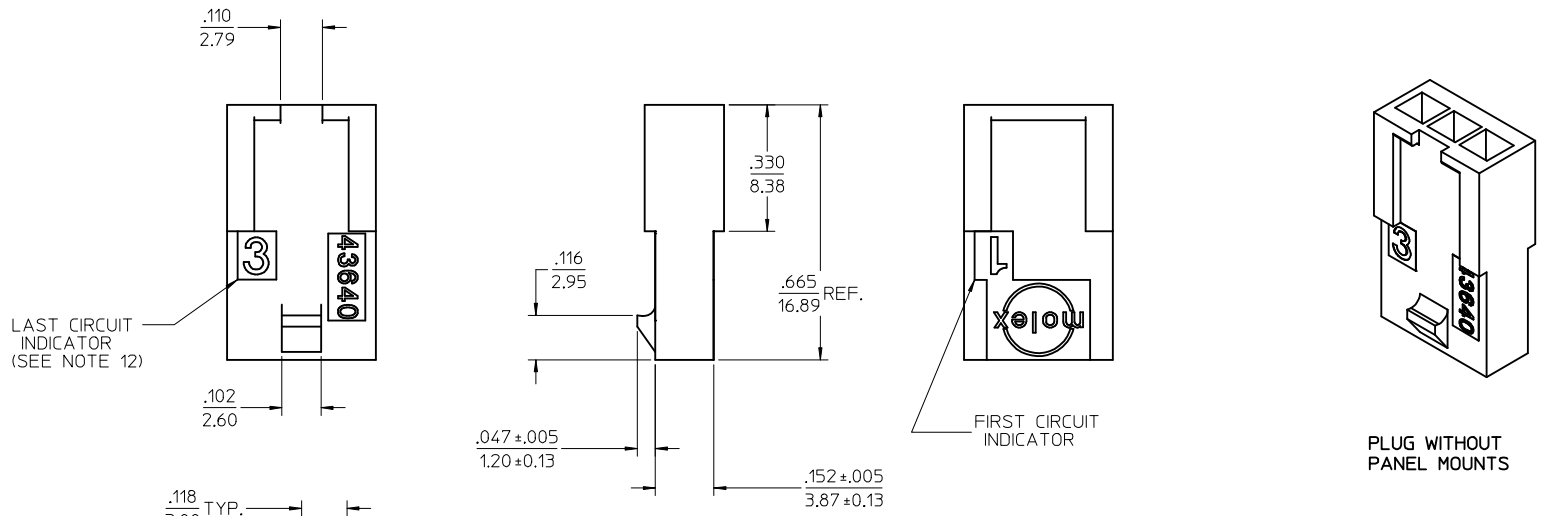
SECTION "E"- "E" NO SCALE



MATED MICRO-FIT CONNECTOR

UPDATE PUNCHED HOLE EC NO: UCP2017-0525 DRWN: J001LES 2016/09/13 CHKD: S50USEK 2016/09/13 APPR: FSMITH 2016/10/07	QUALITY SYMBOLS	GENERAL TOLERANCES (UNLESS SPECIFIED)		DIMENSION STYLE		SCALE 4:1	DESIGN UNITS METRIC	THIRD ANGLE PROJECTION
		mm	INCH	IN/MM				
REV: F6	▽=0	4 PLACES	± .010	± .010	DRAWN BY AFG	DATE 1996/01/19	TITLE MICRO-FIT (3.0) IN-LINE 2 THRU 12 CIRCUIT PLUG W/ OPTIONAL PANEL MOUNTS molex DOCUMENT NO. SD-43640-**** SHEET NO. 1 OF 2	
	▽=0	3 PLACES	± .025	± .014	CHECKED BY BAP	DATE 1996/01/19		
	▽=0	2 PLACES	± 0.35	± .014	APPROVED BY RJF	DATE 1996/01/19		
	▽=0	1 PLACE	± .010	± .014	MATERIAL NO. SEE CHART			
	▽=0	0 PLACE	± .010	± .014	SIZE C THIS DRAWING CONTAINS INFORMATION THAT IS PROPRIETARY TO MOLEX INCORPORATED AND SHOULD NOT BE USED WITHOUT WRITTEN PERMISSION			

ASSEMBLY ITEM NUMBER	PART CHARACTERISTICS NUMBER OF POSITION
43640-0201	02
43640-0301	03
43640-0401	04
43640-0501	05
43640-0601	06
43640-0701	07
43640-0801	08
43640-0901	09
43640-1001	10
43640-1101	11
43640-1201	12



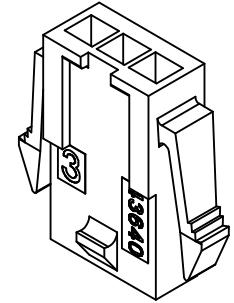
MATED MICRO-FIT CONNECTOR

SEE SHEET 1 EC NO: UCP2017-0525 DRWN: JUILLES 2016/09/13 CHKD: SSOUSEK 2016/09/13 APPR: FSMITH 2016/10/07	QUALITY SYMBOLS	GENERAL TOLERANCES (UNLESS SPECIFIED)	DIMENSION STYLE IN/MM	SCALE 4:1	DESIGN UNITS METRIC	THIRD ANGLE PROJECTION
	▽=0	mm INCH	DRAWN BY DATE	MICRO-FIT (3.0) IN-LINE 2 THRU 12 CIRCUIT PLUG W/ OPTIONAL PANEL MOUNTS molex	DOCUMENT NO. SD-43640-****	SHEET NO. 2 OF 2
	▽=0	4 PLACES ± --- ± ---	AFG 1996/01/19			
	▽=0	3 PLACES ± --- ± .010	CHECKED BY DATE			
▽=0	2 PLACES ± 0.25 ± .014	BAP 1996/01/19				
REV	DESCRIPTION	1 PLACE ± 0.35 ± ---	APPROVED BY DATE	THIS DRAWING CONTAINS INFORMATION THAT IS PROPRIETARY TO MOLEX INCORPORATED AND SHOULD NOT BE USED WITHOUT WRITTEN PERMISSION		
F6		0 PLACE ± ±	RJF 1996/01/19			
		ANGULAR ± 5 °	MATERIAL NO. SEE CHART			
		DRAFT WHERE APPLICABLE MUST REMAIN WITHIN DIMENSIONS	SIZE C			

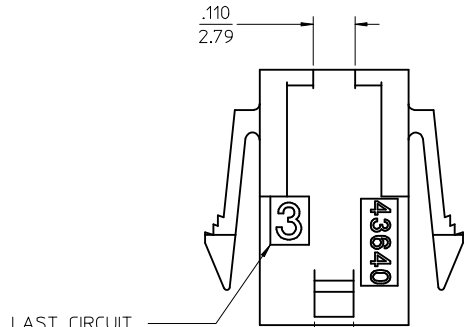
ASSEMBLY ITEM NUMBER	PART CHARACTERISTICS NUMBER OF POSITION
43640-0200	02
43640-0300	03
43640-0400	04
43640-0500	05
43640-0600	06
43640-0700	07
43640-0800	08
43640-0900	09
43640-1000	10
43640-1100	11
43640-1200	12

CKT. NO.	DIM. "A"	DIM. "B"	DIM. "C"	DIM. "D"
2	.270/6.85	.118/3.00	.284/7.21	.429/10.90
3	.388/9.85	.236/6.00	.402/10.21	.547/13.89
4	.506/12.85	.354/9.00	.520/13.21	.665/16.89
5	.624/15.85	.472/12.00	.638/16.21	.783/19.89
6	.742/18.85	.591/15.00	.756/19.21	.901/22.89
7	.860/21.85	.709/18.00	.874/22.20	1.019/25.88
8	.978/24.85	.827/21.00	.992/25.20	1.137/28.88
9	1.096/27.85	.945/24.00	1.110/28.20	1.255/31.88
10	1.215/30.85	1.063/27.00	1.229/31.22	1.373/34.87
11	1.333/33.85	1.181/30.00	1.347/34.22	1.491/37.87
12	1.451/36.85	1.299/33.00	1.465/37.22	1.609/40.87

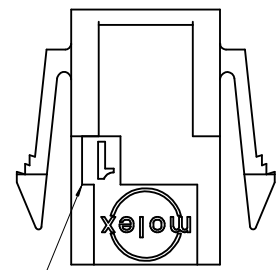
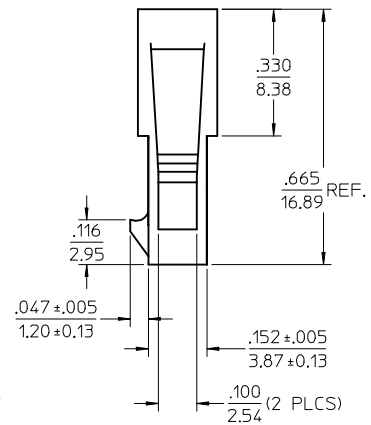
- NOTES:
- HOUSING MATERIAL: UNFILLED NYLON, RATED UL94V-0
COLOR IS BLACK, (LOW-HALOGEN)
 - FINISH: NONE
 - PRODUCT SPECIFICATION: PS-43650
 - PACKAGING SPECIFICATION: PK-43640-003
 - THIS HOUSING MATES WITH MICRO-FIT RECEPTACLE #43645-****.
 - THIS HOUSING IS DESIGNED IN METRIC
 - THIS HOUSING TO BE USED WITH MOLEX MALE TERMINAL #43031-****.
 - PLUG DESIGNED FOR .062/1.57 TO .090/2.30 THICK STAMPED PANEL OR PRINTED CIRCUIT BOARD.
 - SEE SECTION "D"- "D" FOR TERMINAL ORIENTATION IN HOUSING.
 - SEE SHEET 2 FOR PLUG WITHOUT PANEL MOUNTS.
 - PANEL MOUNT FEATURES MUST LOCK ON SIDE OPPOSITE PUNCH SIDE FOR OPTIMUM RETENTION.
 - LAST CIRCUIT INDICATOR IS NOT PRESENT ON 2 CIRCUIT HOUSING.
 - THIS PART CONFORMS TO CLASS B REQUIREMENTS OF COSMETIC SPECIFICATION PS-45499-002.



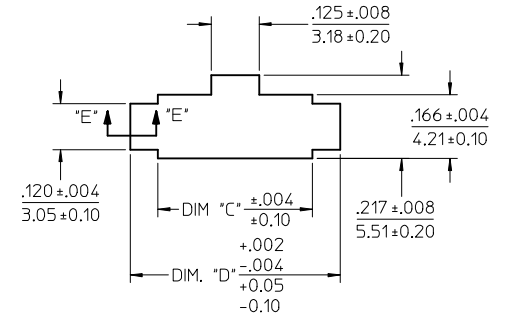
PLUG WITH PANEL MOUNTS



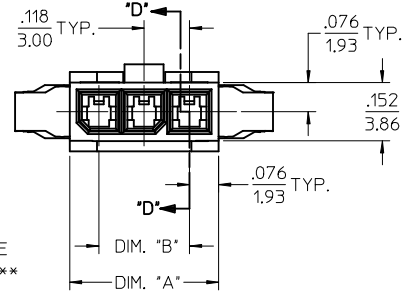
LAST CIRCUIT INDICATOR (SEE NOTE 12)



FIRST CIRCUIT INDICATOR

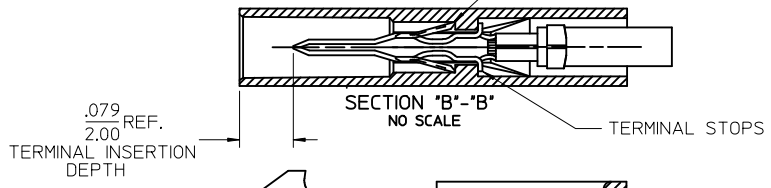


RECOMMENDED PANEL CUT-OUT (SEE NOTES 8 & 11)



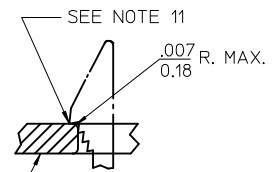
RECEPTACLE # 43645-****

PLUG # 43640-***00

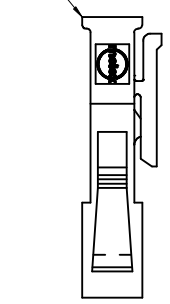


SECTION "B"- "B" NO SCALE

TERMINAL LOCKING TABS MUST BE FULLY SEATED TO HOUSING BEFORE MATING WITH OTHER HALF OF CONNECTOR SYSTEM.



SECTION "E"- "E" NO SCALE



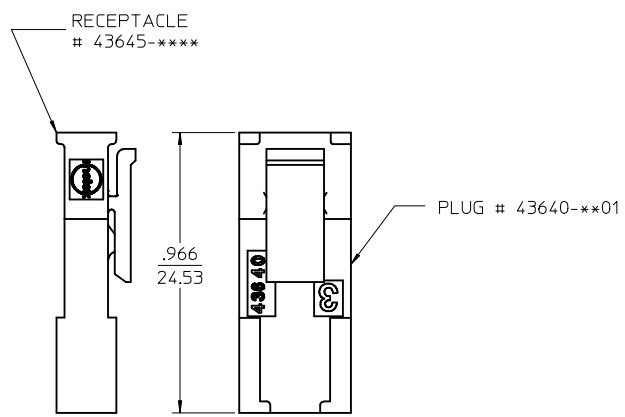
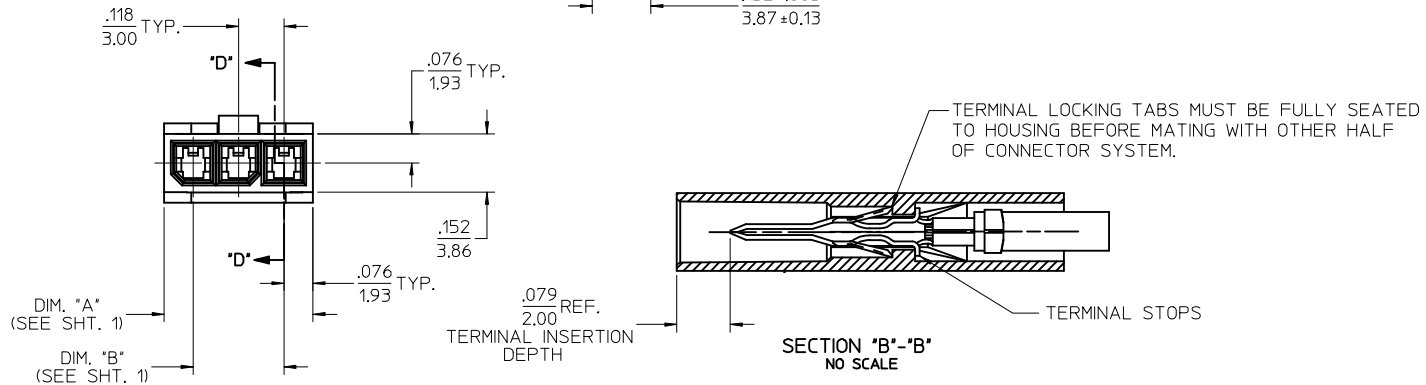
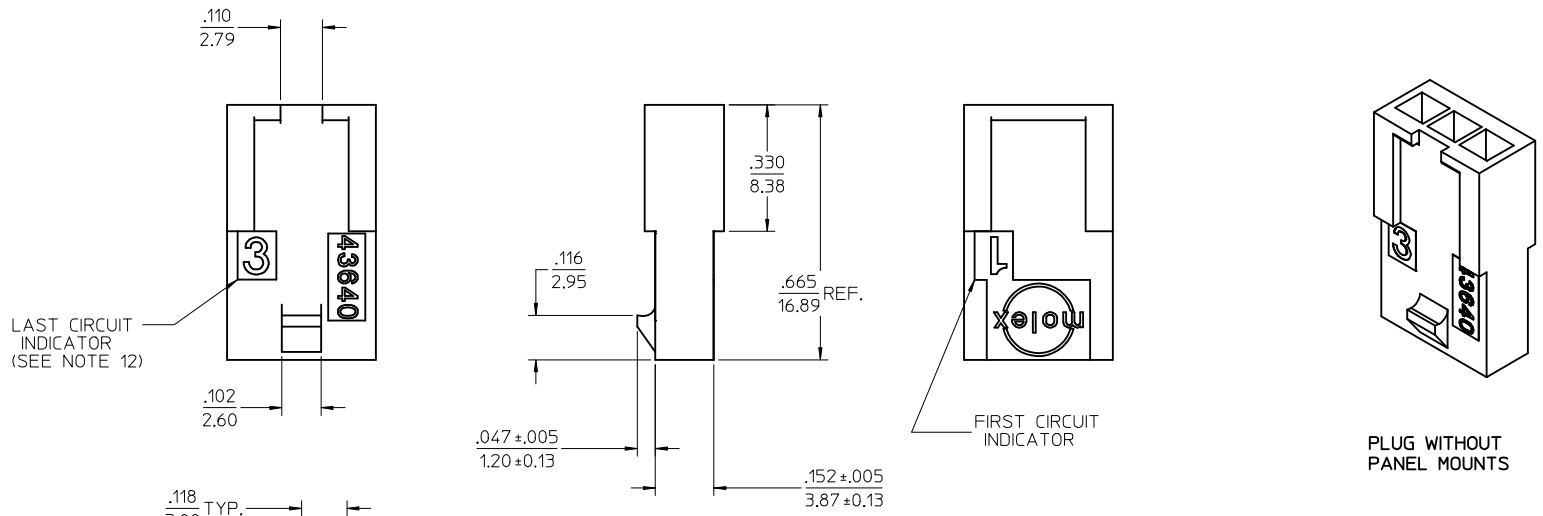
MATED MICRO-FIT CONNECTOR

REV	DESCRIPTION
F6	UPDATE PUNCHED HOLE EC NO: UCP2017-0525 DRWN: J001LES 2016/09/13 CHKD: S50USEK 2016/09/13 APPR: FSMITH 2016/10/07

QUALITY SYMBOLS	GENERAL TOLERANCES (UNLESS SPECIFIED)
▽=0	4 PLACES ± --- ± ---
▽=0	3 PLACES ± --- ± .010
▽=0	2 PLACES ± 0.25 ± .014
▽=0	1 PLACE ± 0.35 ± ---
▽=0	0 PLACE ± ±
	ANGULAR ± 5 °
	DRAFT WHERE APPLICABLE MUST REMAIN WITHIN DIMENSIONS

DIMENSION STYLE		SCALE	DESIGN UNITS	THIRD ANGLE PROJECTION
IN/MM		4:1	METRIC	
DRAWN BY	DATE	TITLE		
AFG	1996/01/19	MICRO-FIT (3.0) IN-LINE		
CHECKED BY	DATE	2 THRU 12 CIRCUIT PLUG		
BAP	1996/01/19	W/ OPTIONAL PANEL MOUNTS		
APPROVED BY	DATE	molex		
RJF	1996/01/19	DOCUMENT NO. SD-43640-****		
MATERIAL NO.		SHEET NO.		
SEE CHART		1 OF 2		
SIZE	THIS DRAWING CONTAINS INFORMATION THAT IS PROPRIETARY TO MOLEX INCORPORATED AND SHOULD NOT BE USED WITHOUT WRITTEN PERMISSION			
C				

ASSEMBLY ITEM NUMBER	PART CHARACTERISTICS NUMBER OF POSITION
43640-0201	02
43640-0301	03
43640-0401	04
43640-0501	05
43640-0601	06
43640-0701	07
43640-0801	08
43640-0901	09
43640-1001	10
43640-1101	11
43640-1201	12



MATED MICRO-FIT CONNECTOR

SEE SHEET 1 EC NO: UCP2017-0525 DRWN: JUILLES 2016/09/13 CHKD: SSOUSEK 2016/09/13 APPR: FSMITH 2016/10/07	QUALITY SYMBOLS	GENERAL TOLERANCES (UNLESS SPECIFIED)		DIMENSION STYLE IN/MM		SCALE 4:1	DESIGN UNITS METRIC	THIRD ANGLE PROJECTION	
	▽=0	mm	INCH	DRAWN BY AFG	DATE 1996/01/19	TITLE MICRO-FIT (3.0) IN-LINE 2 THRU 12 CIRCUIT PLUG W/ OPTIONAL PANEL MOUNTS molex DOCUMENT NO. SD-43640-**** SHEET NO. 2 OF 2			
	▽=0	4 PLACES ± .005	± .010	CHECKED BY BAP	DATE 1996/01/19				
	▽=0	3 PLACES ± .005	± .014	APPROVED BY RJF	DATE 1996/01/19				
▽=0	2 PLACES ± 0.25	± .014							
REV F6		1 PLACE ± 0.35	± .014	MATERIAL NO. SEE CHART		THIS DRAWING CONTAINS INFORMATION THAT IS PROPRIETARY TO MOLEX INCORPORATED AND SHOULD NOT BE USED WITHOUT WRITTEN PERMISSION			
		0 PLACE ±	±	ANGULAR ± 5 °					
		DRAFT WHERE APPLICABLE MUST REMAIN WITHIN DIMENSIONS		SIZE C					