

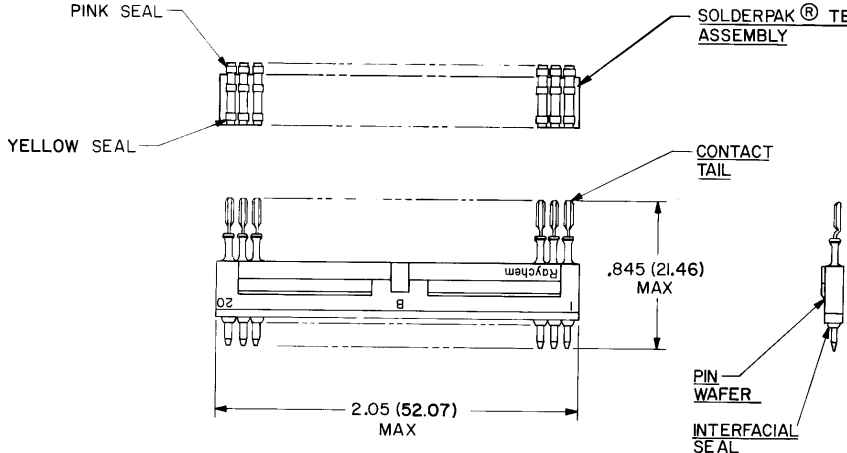
4

3

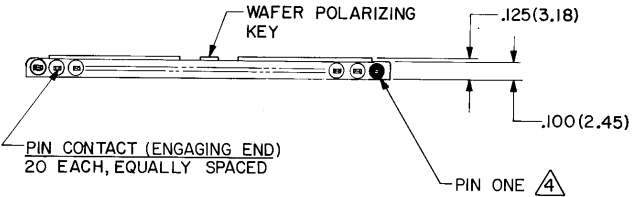
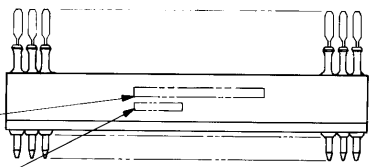
2

1

REV	DATE	DESCRIPTION	BY	APP'D
—	A	CHG'D PER DCO# T-02581	W.J.	



**Raychem**  
 PART NO.  
 MTC100-JB2-P21-T11  
 DATE CODE



5 WEIGHT (MAX.) :  $\frac{\text{LBS.}}{.0090} \frac{\text{GRAMS}}{4.08}$

4 PIN ONE : PIN NUMBER ONE MARKED IN CONTRASTING COLOR ON INTERFACIAL SEAL.

3. WAFER : WAFER MEETS THE REQUIREMENTS OF RAYCHEM SPECIFICATION D-6011.

2. FINISH :  
 2-A PIN WAFER ; FINISH TO BE AS MOLDED.  
 2-B PIN CONTACT ; GOLD PLATE PER MIL-G-45204, CLASS I.  
 (ENGAGING END)  
 2-C CONTACT TAIL ; COATED WITH SOLDER PER QQ-S-571.

1. MATERIAL :  
 1-A PIN WAFER ; HIGH GRADE POLYARYLENE THERMO-PLASTIC.  
 1-B PIN CONTACT ; COPPER ALLOY PER QQ-B-613 OR QQ-C-502.  
 1-C INTERFACIAL SEAL ; SILICONE ELASTOMER PER MIL-R-25988.  
 1-D SOLDERPAK® TERMINATORS ASSY ; REFER TO RAYCHEM DWG. CTA-0027 FOR DATA.

NOTES

If this document is printed it becomes uncontrolled.  
 Check with the web for latest revision.

DO NOT SCALE THIS DRAWING

SPECIFICATION CONTROL DRAWING

UNLESS OTHERWISE SPECIFIED DIMENSIONS ARE IN INCHES BRACKETED DIMENSIONS ( ) ARE METRIC AND TOLERANCES ARE:  .XXX: ± .005 (0.13 M.M.) .XX: ± .02 (0.51 M.M.) Δ: ± —	DRAWN	W.V.J.	1-15-81	<b>Raychem</b> <small>RAYCHEM CORPORATION        1001 N. STATE STREET, SUITE 100        MILWAUKEE, WISCONSIN 53233</small> TITLE KIT, 2" PIN WAFER "B" WITH SOLDERPAK® TERMINATORS, FOR ROUND WIRE (20-26 AWG), 150°C TEMPERATURE RATING MTC 100 SERIES
	CHECKED	<i>WVJ</i>		
	APPROVED	<i>WVJ</i>	1-22-81	
	APPROVED	<i>WVJ</i>	2-6-81	
				SIZE <b>C</b> CODE IDENT NO. 06090 DWG. NO. MTC100-JB2-P21-T11 WEIGHT $\Delta$ SHEET OF

© Raychem Corporation 1981