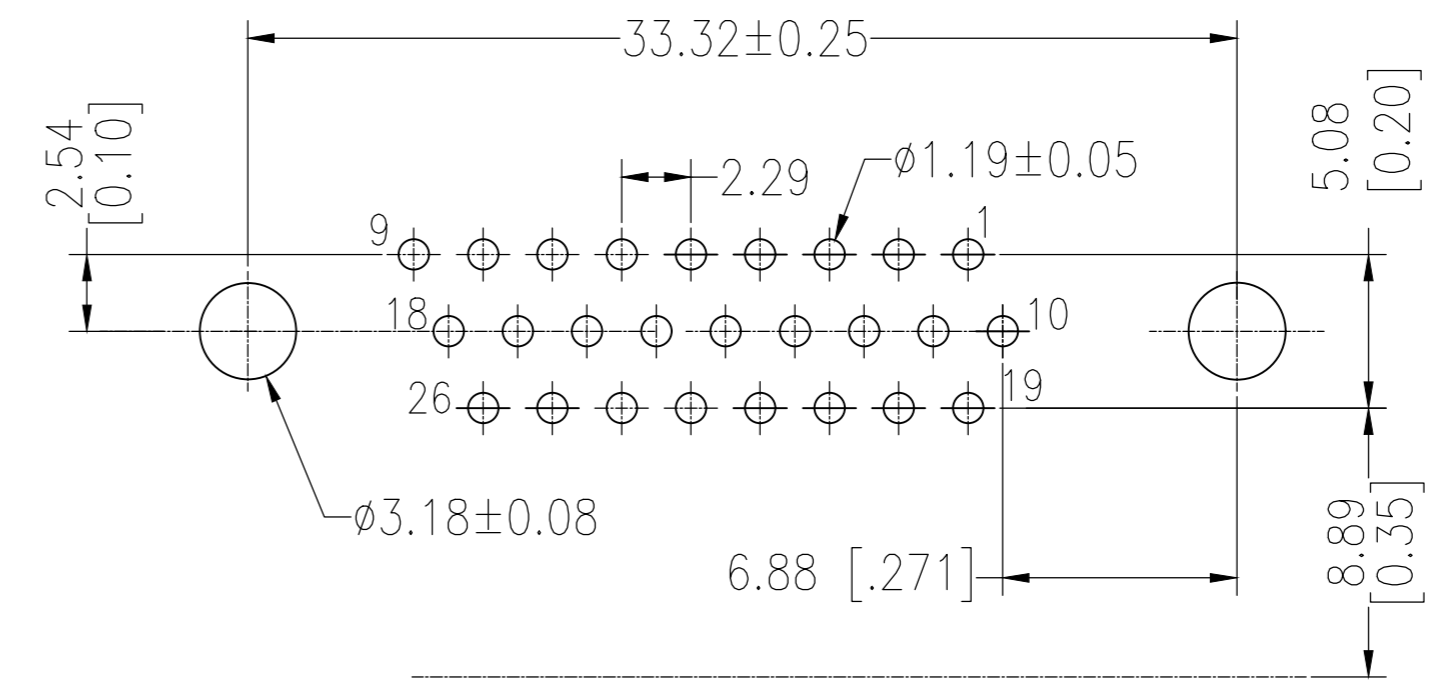
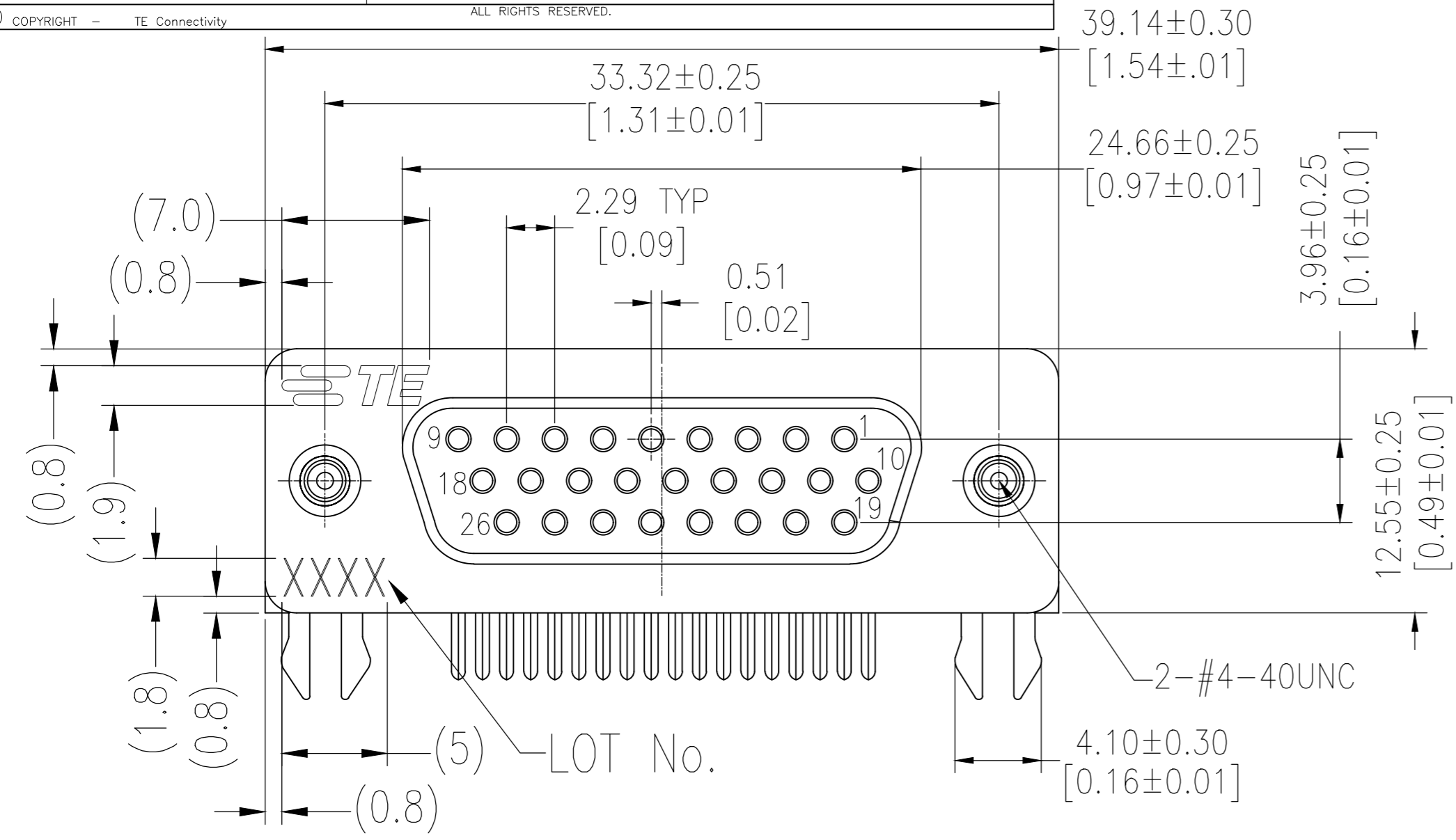


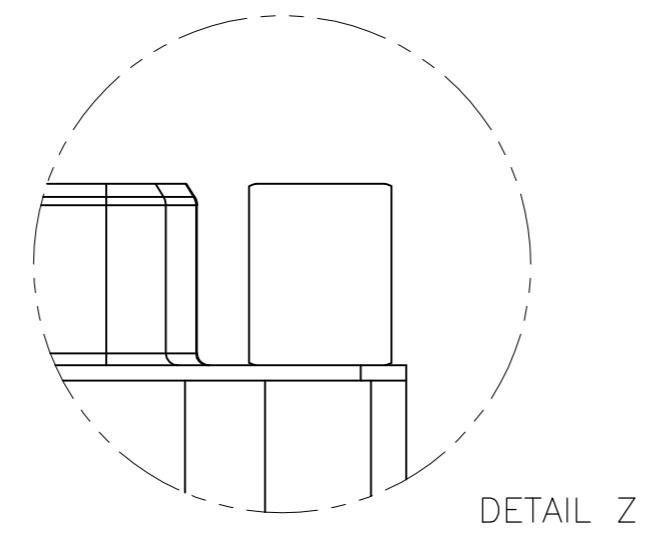
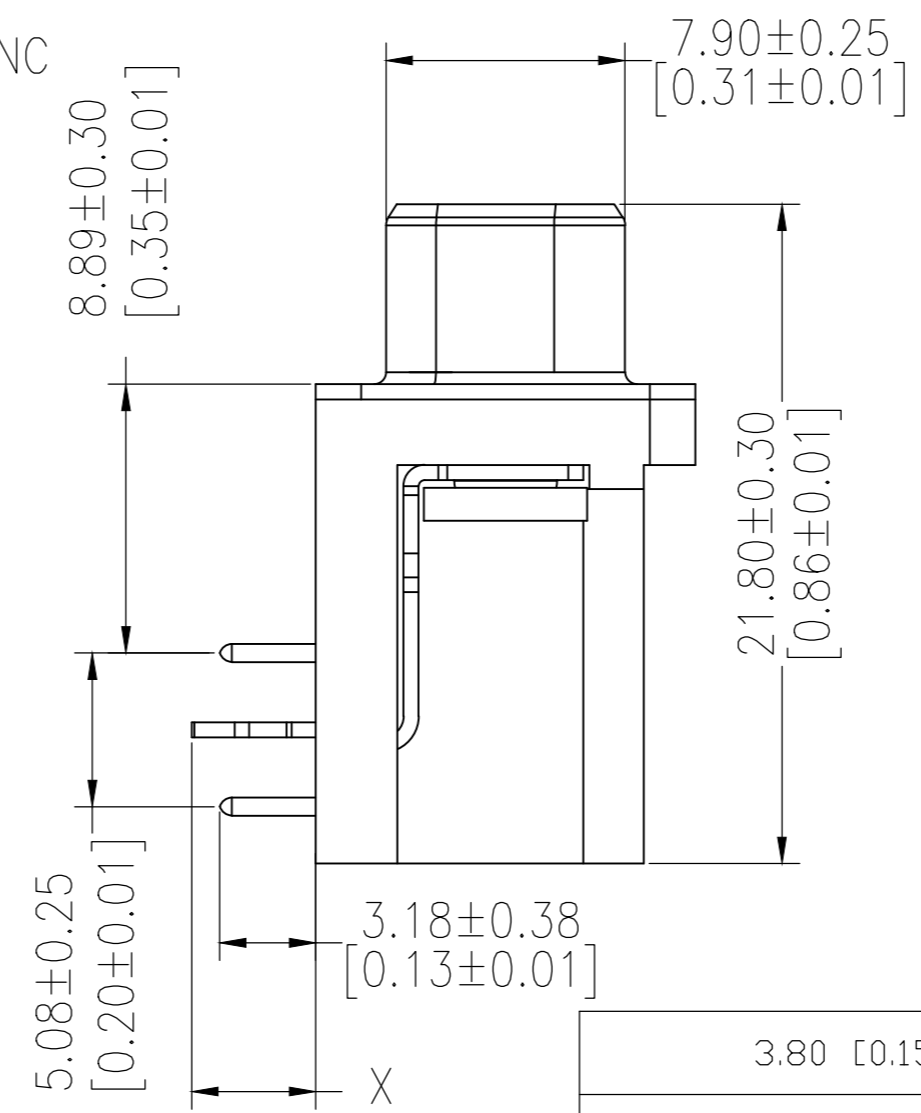
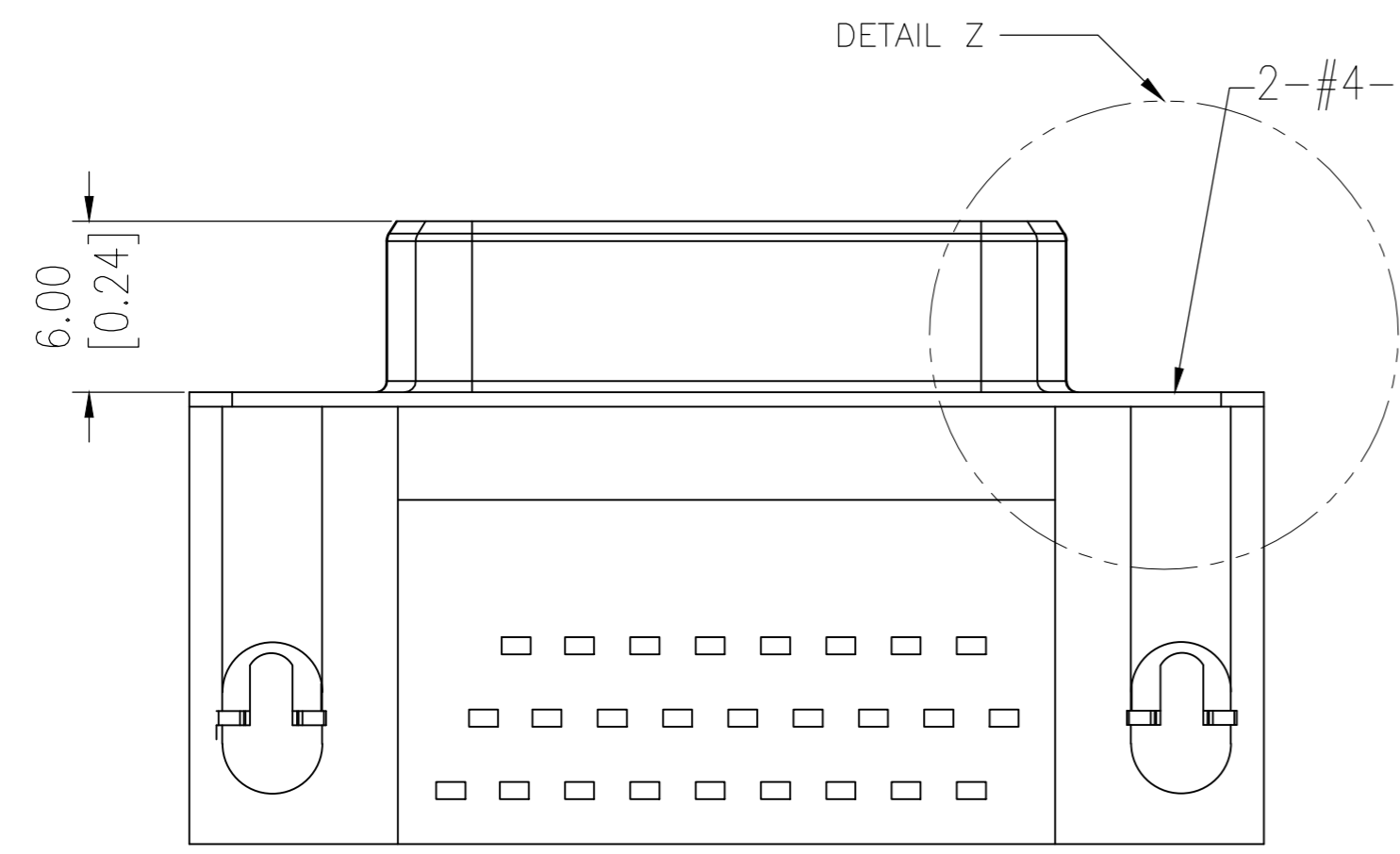
THIS DRAWING IS UNPUBLISHED. RELEASED FOR PUBLICATION
 © COPYRIGHT - TE Connectivity ALL RIGHTS RESERVED.

REVISIONS				
P	LTR	DESCRIPTION	DATE	APVD
E		REVISED PER ECO-18-008015	24MAY2018	AP DG

Recommended P.C.B Layout (Top Side)
 (PCB BOARD TOLERANCE ±0.05)



NOTES:
 Insulator: PBT+G.F UL94V-0 BLACK
 Contact: PHOSPHOR BRONZE
 " GOLD PLATING ON CONTACT AREA
 100u" MATTE TIN PLATING ON SOLDER TAIL
 50u" NICKEL UNDERPLATED OVERALL
 Holddown: Brass, 100u" TIN OVER 50u" NICKEL
 Shell: Cold Roller Steel, Ni Plated
 Rivetlock: Brass, Nickel Plated
 LOT NUMBER "XXXX"
 - Stands For Calendar Year
 - Stands For Week Number



3.80 [0.150]	YES SEE DETAIL Z	30μ" Au	2311768-2
4.10 [0.161]	THREADED	30μ" Au	2311768-1
X ± 0.30 [± 0.012]	SCREWLOCK	Contact Area	P/N
BOARDLOCK LENGTH		Plating	

THIS DRAWING IS A CONTROLLED DOCUMENT.		DWN AJITH PAI 11MAR2017	TE Connectivity	
DIMENSIONS: mm		CHK DANIEL GORENC 11MAR2017		
TOLERANCES UNLESS OTHERWISE SPECIFIED:		APVD DANIEL GORENC 11MAR2017	NAME AMPLIMITE RECEPTACLE, HD22, RIGHT ANGLE, 26P	
0 PLC ± -	1 PLC ± -	PRODUCT SPEC 108-130023	SIZE A2	
2 PLC ± 0.25	3 PLC ± -	APPLICATION SPEC	CAGE CODE 00779	DRAWING NO C=2311768
4 PLC ± -	ANGLES ± -	WEIGHT	RESTRICTED TO	
MATERIAL	FINISH	CUSTOMER DRAWING	SCALE 1:1	SHEET 1 OF 1
			REV E	