



Copyright FCI.

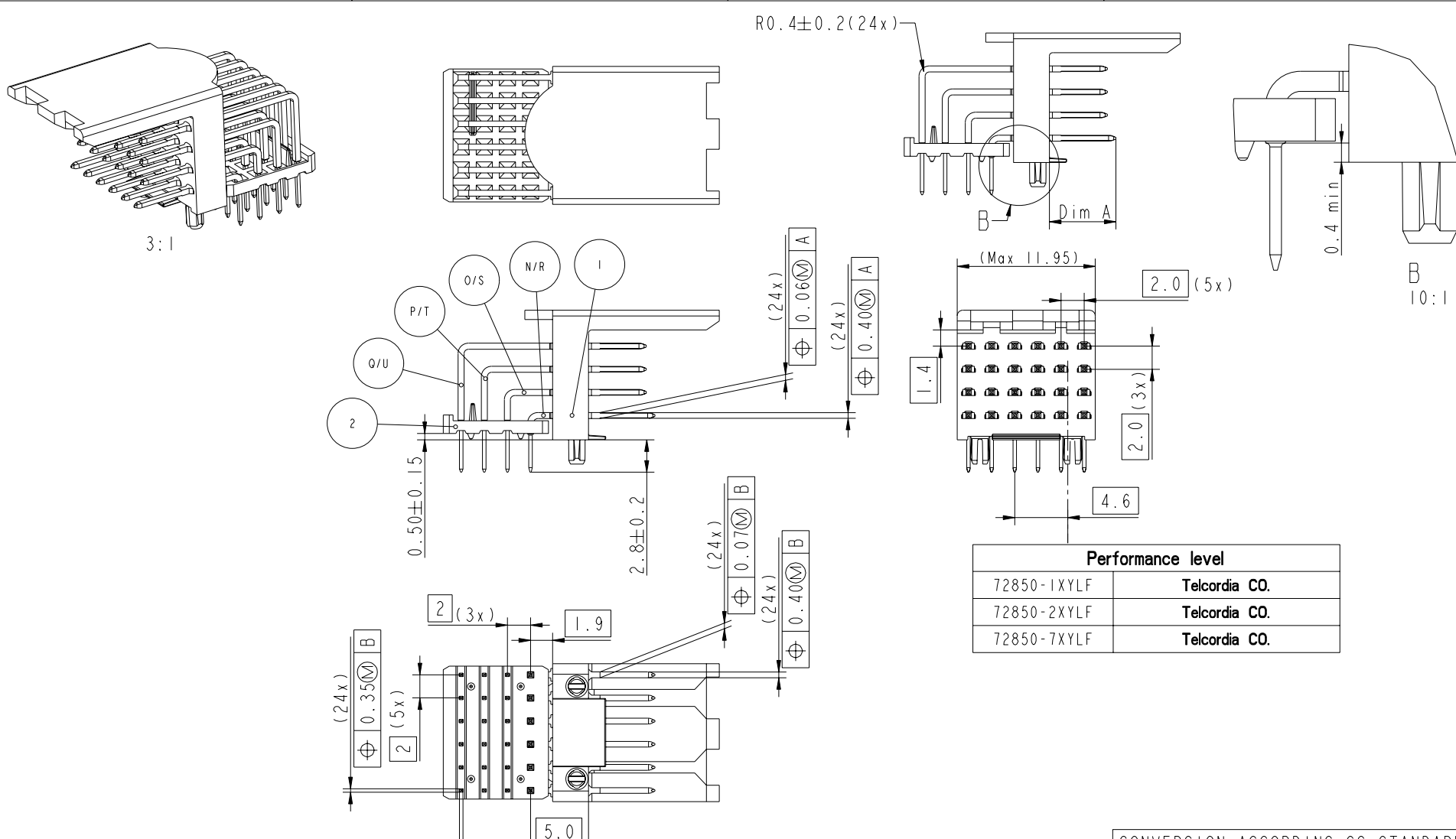
NOTES:

- 1. MATERIAL:
A. HEADER HOUSING: LIQUID CRYSTAL POLYMER 30% GLASS
FLAME RETADENT ACC. UL 94 V0
- B. TERMINAL: TINBRONZE
- C. WAFER: LIQUID CRYSTAL POLYMER 30% GLASS
FLAME RETADENT
- 2. PACKAGING ACCORDING GS-14-654

rev	ecn no	dr	date
H	N09-0372	SH	2010-01-05
J	N11-0071	A.ZH	2011-03-23
-	-	-	-
-	-	-	-
-	-	-	-

www.fciconnect.com		surface ISO 1302	tolerance std ISO 406 ISO 1101	projection MM	CONVERSION ACCORDING GS-STANDARDS	
		TOLERANCES UNLESS OTHERWISE SPECIFIED		size A3	Scale 3:1	
Dr	B.Beirinckx	2002/06/30	ANGULAR	0.x	±0.30	
Eng	G.Nys	2002/06/30	LINEAR	0.xx	±0.15	
Chr	W.Panis	2002/06/30	0° ±°	0.xxx	±0.05	ECN N11-0071
Appr	W.Panis	2002/06/30	Product family	Spec ref		RELEASE
FCI		Title SOFIX 72 POS WITH FRONT SPRINGS SHIELDED HDR 3x24 PIP		72850		Rev. J
catalog no		See Table		CUSTOMER	sheet 1 of 2	

REV F - 2006-04-17

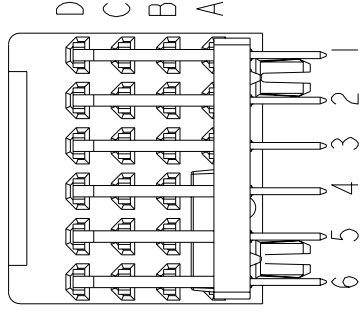


LEAD FREE PRODUCT NUMBER

PRODUCT NUMBER		MADE FROM						
Item	Row	Number	6	5	4	3	2	1
72850 -XY1LF	D	24	Q	Q	Q	Q	Q	Q
	C		P	P	P	P	P	
	B		O	O	O	O	O	
	A		N	N	N	N	N	
72850 -XY2LF	D	24	U	U	U	U	U	Q
	C		T	T	T	T	T	
	B		S	S	S	S	S	
	A		N	N	N	N	N	
72850 -XY3LF	D	12	Q	Q	Q	Q	Q	Q
	C							
	B		O	O	O	O	O	
	A							

Nota: Y can be 0 or 1.

Item	DIM A
N	5.75
O	5.00
P	5.00
Q	5.00
R	5.00
S	5.75
T	5.75
U	5.75



Material	SEE NOTES	Spec ref	RELEASE
Mat code	-	surface -	tolerance
Heattreat	-	ISO 1302	ISO 406
Plating/Finish	-		ISO 1101
Dr	B.Beirinckx	2002/06/30	
Eng	G.Nys	2002/06/30	Product family
Chr	W.Panis	2002/06/30	Model Name
Appr.	W.Panis	2002/06/30	Model Revision
			REL Level
			RELEASE
			size
			A4
			Scale
			3:1
			ECN
			72850
			NII-0071
			RELEASE
			Rev.
			J
Pro/E file	catalog no	See Table	CUSTOMER
			sheet 2 of 2



SOFIX 72 POS WITH FRONT SPRINGS
 SHIELDED HDR 3x24 PIP

dwg

72850

Rev. J