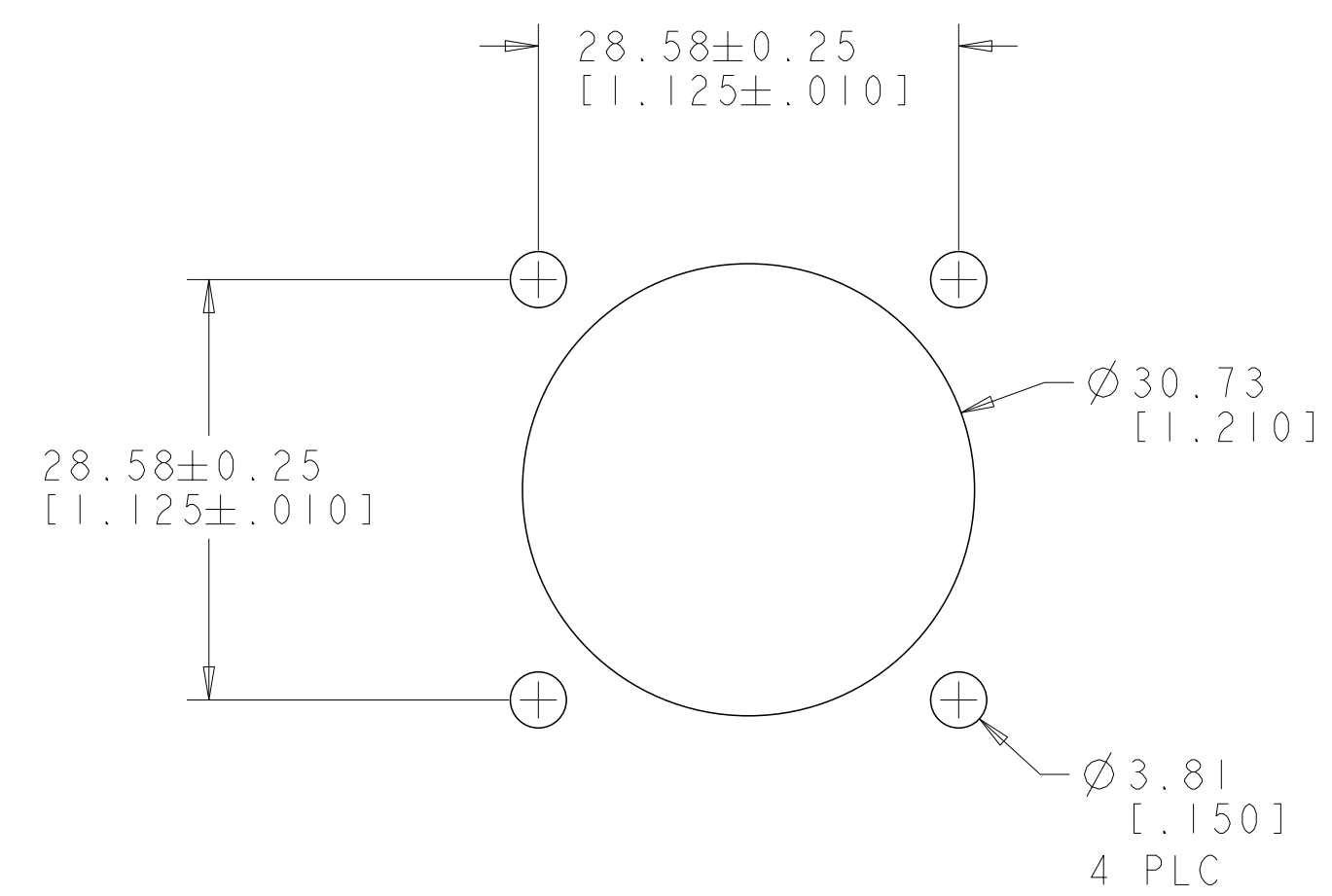
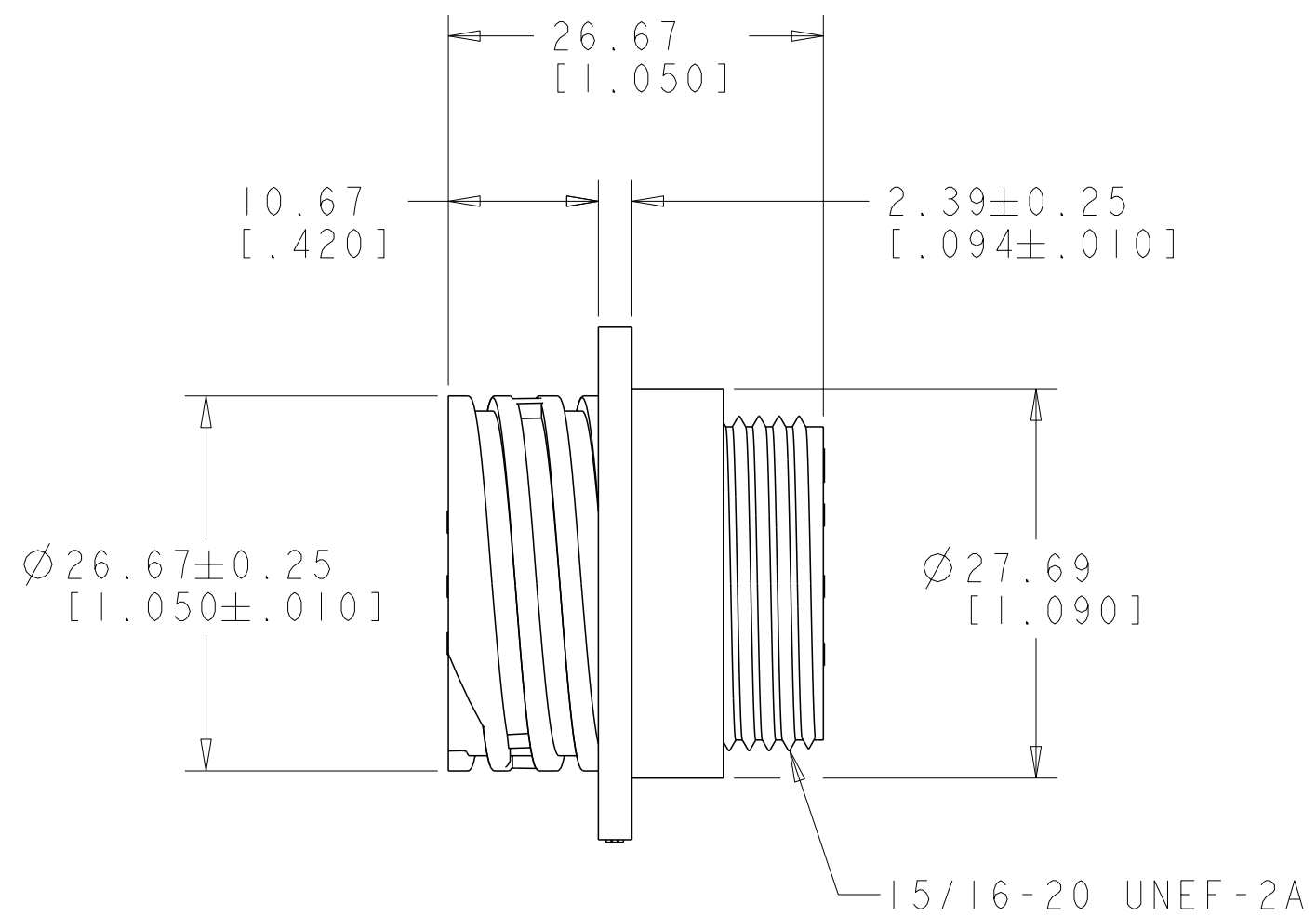
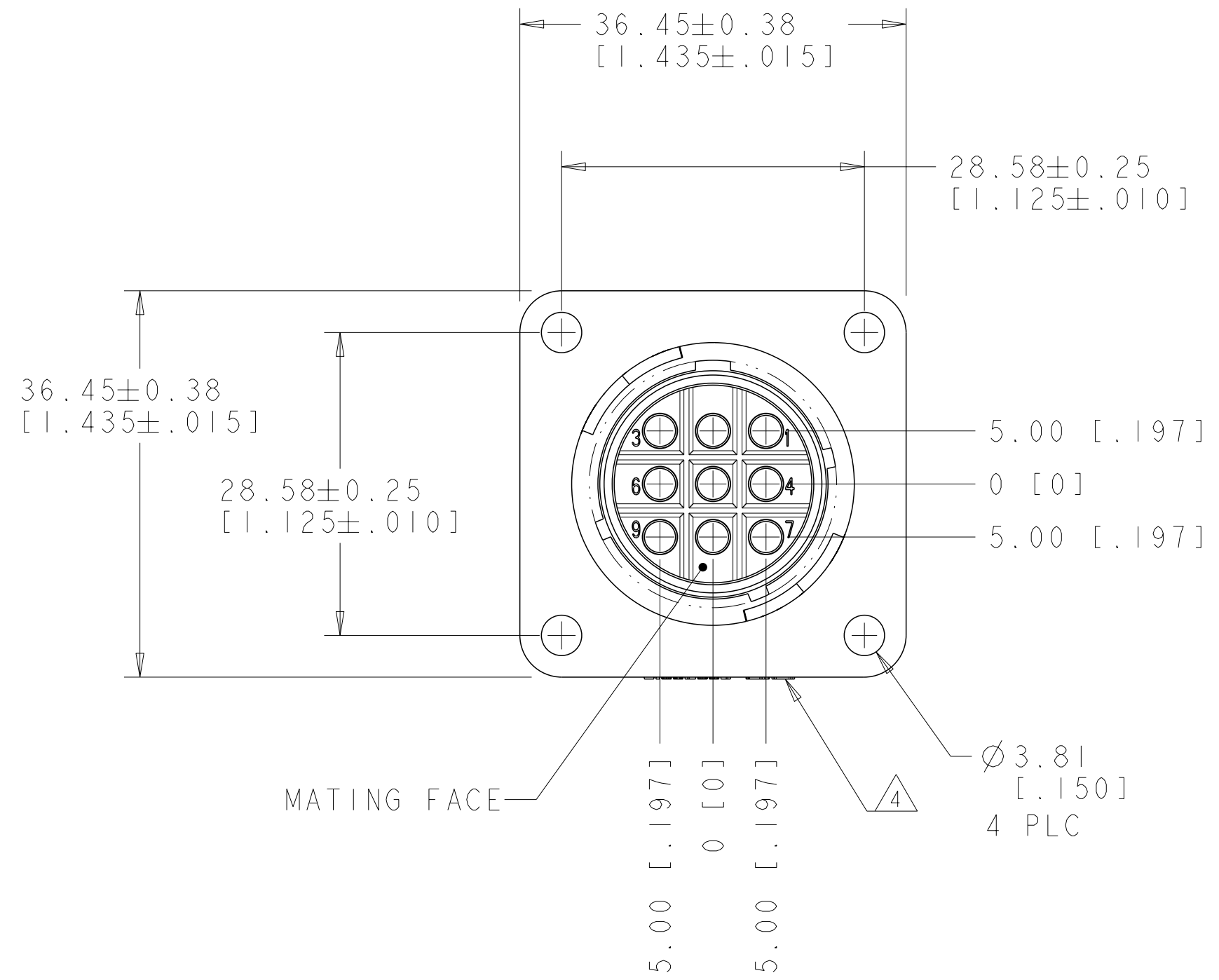


REVISIONS				
P	LTR	DESCRIPTION	DATE	APVD
C		REVISED PER ECO-21-006943	18OCT2021	RK MZ



RECOMMENDED PANEL CUTOUT  
3.18[.125] MAX PANEL THICKNESS

- △ NYLON, BLACK.
- 2. HOUSING WILL ACCEPT NINE MULTIMATE SOCKET CONTACTS.
- 3. CAVITY IDENTIFICATION ON FRONT AND REAR FACE.
- △ TE LOGO AND PART NUMBER LOCATED ON ANY FLANGE EDGE

796439-2  
PART NUMBER

THIS DRAWING IS A CONTROLLED DOCUMENT.		DWN S. WELDON 31MAR100		
DIMENSIONS: mm [INCHES]		CHK M. CHACKO 31MAR100		
TOLERANCES UNLESS OTHERWISE SPECIFIED:		APVD M. CHACKO 31MAR100	NAME RECEPTACLE HOUSING, SIZE 17-9, REVERSE SEX, CPC	
0 PLC ±		PRODUCT SPEC	SIZE	
1 PLC ±0.1		APPLICATION SPEC	CAGE CODE	
2 PLC ±0.02		WEIGHT	DRAWING NO	
3 PLC ±0.005		CUSTOMER DRAWING	RESTRICTED TO	
4 PLC ±0.0005		SCALE 2:1	SHEET 1 OF 1	
ANGLES ±		REV C		
FINISH		A200779 C-796439		