

# MC14C88B

## Quad Low Power Line Driver

The MC14C88B is a low power monolithic quad line driver, using BiMOS technology, which conforms to EIA-232-D, EIA-562, and CCITT V.28. The inputs feature TTL and CMOS compatibility with minimal loading. The outputs feature internally controlled slew rate limiting, eliminating the need for external capacitors. Power off output impedance exceeds 300  $\Omega$ , and current limiting protects the outputs in the event of short circuits.

Power supply current is less than 160  $\mu$ A over the supply voltage range of  $\pm 4.5$  to  $\pm 15$  V. EIA-232-D performance is guaranteed with a minimum supply voltage of  $\pm 6.5$  V.

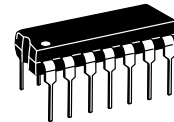
The MC14C88B is pin compatible with the MC1488, SN75188, SN75C188, DS1488, and DS14C88. This device is available in 14 pin plastic DIP, and surface mount packaging.

### Features:

- BiMOS Technology for Low Power Operation (< 5.0 mW)
- Meets Requirements of EIA-232-D, EIA-562, and CCITT V.28
- Quiescent Current Less Than 160  $\mu$ A
- TTL/CMOS Compatible Inputs
- Minimum 300  $\Omega$  Output Impedance when Powered Off
- Supply Voltage Range:  $\pm 4.5$  to  $\pm 15$  V
- Pin Equivalent to MC1488
- Current Limited Output: 10 mA Minimum
- Operating Ambient Temperature:  $-40^\circ$  to  $85^\circ$ C

## QUAD LOW POWER LINE DRIVER

### SEMICONDUCTOR TECHNICAL DATA

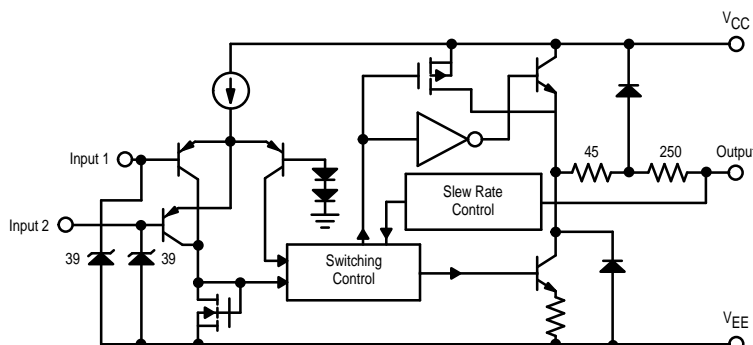


**P SUFFIX**  
PLASTIC PACKAGE  
CASE 646

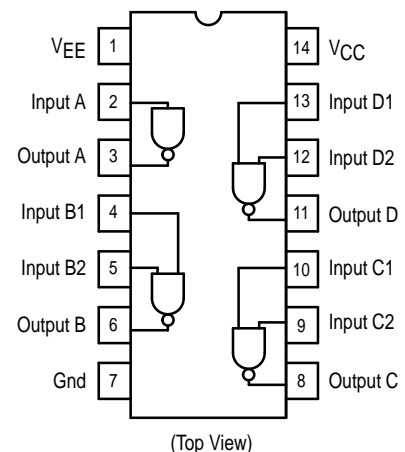


**D SUFFIX**  
PLASTIC PACKAGE  
CASE 751A  
(SO-14)

**Representative Block Diagram**  
(Each Driver)



### PIN CONNECTIONS



### ORDERING INFORMATION

Device	Operating Temperature Range	Package
MC14C88BP	$T_A = -40^\circ$ to $+85^\circ$ C	Plastic DIP
MC14C88BD		SO-14

# MC14C88B

## MAXIMUM RATINGS (T<sub>A</sub> = +25°C, unless otherwise noted.)

Rating	Symbol	Value	Unit
Power Supply Voltage V <sub>CC</sub> (max) V <sub>EE</sub> (min) (V <sub>CC</sub> - V <sub>EE</sub> )max	V <sub>CC</sub> V <sub>EE</sub> V <sub>CC</sub> - V <sub>EE</sub>	+17 -17 34	Vdc
Input Voltage (All Inputs)	V <sub>in</sub>	V <sub>EE</sub> -0.3, V <sub>EE</sub> +39	Vdc
Applied Output Voltage, when V <sub>CC</sub> =V <sub>EE</sub> ≠ 0 V Applied Output Voltage, when V <sub>CC</sub> =V <sub>EE</sub> = 0 V	V <sub>X</sub>	V <sub>EE</sub> -6.0 V, V <sub>CC</sub> +6.0 V ±15	Vdc
Output Current	I <sub>O</sub>	Self Limiting	mA
Operating Junction Temperature	T <sub>J</sub>	- 65, + 150	°C

Devices should not be operated at these limits. The "Recommended Operating Conditions" table provides for actual device operation.

## RECOMMENDED OPERATING CONDITIONS

Characteristic	Symbol	Min	Typ	Max	Unit
Power Supply Voltage	V <sub>CC</sub> V <sub>EE</sub>	+4.5 -15	- -	+15 -4.5	Vdc
Input Voltage (All Inputs)	V <sub>in</sub>	0	-	V <sub>CC</sub>	Vdc
Applied Output Voltage (V <sub>CC</sub> =V <sub>EE</sub> =0 V)	V <sub>O</sub>	-2.0	0	+2.0	Vdc
Output DC Load	R <sub>L</sub>	3.0	-	7.0	kΩ
Operating Ambient Temperature Range	T <sub>A</sub>	-40	-	+85	°C

All limits are not necessarily functional concurrently.

## ELECTRICAL CHARACTERISTICS (-40°C ≤ T<sub>A</sub> ≤ +85°C, unless otherwise noted.)\*

Characteristic	Symbol	Min	Typ	Max	Unit
Supply Current (I <sub>out</sub> = 0, see Figure 2) I <sub>CC</sub> @ 4.75 V ≤ V <sub>CC</sub> , -V <sub>EE</sub> ≤ 15 V Outputs High Outputs Low I <sub>EE</sub> Outputs High Outputs Low	I <sub>CC</sub> (OH) I <sub>CC</sub> (OL) I <sub>EE</sub> (OH) I <sub>EE</sub> (OL)	- - -160 -160	- - - -	160 160 - -	μA
Output Voltage – High, V <sub>in</sub> ≤ 0.8 V (R <sub>L</sub> = 3.0 kΩ, see Figure 3) V <sub>CC</sub> = +4.75 V, V <sub>EE</sub> = -4.75 V V <sub>CC</sub> = +5.0 V, V <sub>EE</sub> = -5.0 V V <sub>CC</sub> = +6.5 V, V <sub>EE</sub> = -6.5 V V <sub>CC</sub> = +12 V, V <sub>EE</sub> = -12 V V <sub>CC</sub> = +13.2 V, V <sub>EE</sub> = -13.2 V (R <sub>L</sub> = ∞) Output Voltage – Low, V <sub>in</sub> ≥ 2.0 V V <sub>CC</sub> = +4.75 V, V <sub>EE</sub> = -4.75 V V <sub>CC</sub> = +5.0 V, V <sub>EE</sub> = -5.0 V V <sub>CC</sub> = +6.5 V, V <sub>EE</sub> = -6.5 V V <sub>CC</sub> = +12 V, V <sub>EE</sub> = -12 V V <sub>CC</sub> = +13.2 V, V <sub>EE</sub> = -13.2 V (R <sub>L</sub> = ∞)	V <sub>OH</sub>      V <sub>OL</sub>	3.7 4.0 5.0 10 - - - - -13.2	3.8 4.3 6.1 10.5 13.2 -3.8 -4.2 -6.0 -10.5 -13.2	- - - - 13.2 -3.7 -4.0 -5.0 -10 -	Vdc
Output Short Circuit Current** (see Figure 4) (V <sub>CC</sub> =  V <sub>EE</sub>   = 15 V) Normally High Output, shorted to ground Normally Low Output, shorted to ground	I <sub>OS</sub>	-35 +10	- -	-10 +35	mA
Output Source Resistance (V <sub>CC</sub> = V <sub>EE</sub> = 0 V, -2.0 V ≤ V <sub>out</sub> ≤ +2.0 V)	R <sub>O</sub>	300	-	-	Ω
Input Voltage Low Level High Level	V <sub>IL</sub> V <sub>IH</sub>	0 2.0	- -	0.8 V <sub>CC</sub>	Vdc

\* Typicals reflect performance @ T<sub>A</sub> = 25°C

\*\* Only one output shorted at a time, for not more than 1 second.

# MC14C88B

## ELECTRICAL CHARACTERISTICS (continued) ( $-40^{\circ}\text{C} \leq T_A \leq +85^{\circ}\text{C}$ , unless otherwise noted.)\*

Characteristic	Symbol	Min	Typ	Max	Unit
Input Current	$I_{in}$				$\mu\text{A}$
$V_{in} = 0\text{ V}, V_{CC} =  V_{EE}  = 4.75\text{ V}$		-10	-0.1	0	
$V_{in} = 0\text{ V}, V_{CC} =  V_{EE}  = 15\text{ V}$		-10	-0.1	0	
$V_{in} = 4.5\text{ V}, V_{CC} =  V_{EE}  = 4.75\text{ V}$		0	+0.1	+10	
$V_{in} = 4.5\text{ V}, V_{CC} =  V_{EE}  = 15\text{ V}$		0	+0.1	+10	

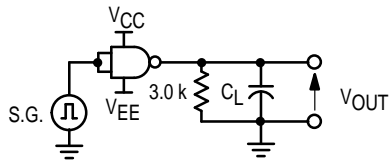
## TIMING CHARACTERISTICS ( $-40^{\circ}\text{C} \leq T_A \leq +85^{\circ}\text{C}$ , unless otherwise noted.)\*

Characteristic	Symbol	Min	Typ	Max	Unit
Output Rise Time					$\mu\text{s}$
$V_{CC} = 4.75\text{ V}, V_{EE} = -4.75\text{ V}$					
$-3.3\text{ V} \leq V_O \leq 3.3\text{ V}$	$t_{R1}$				
$C_L = 15\text{ pF}$		0.22	0.66	2.1	
$C_L = 1000\text{ pF}$		0.22	1.52	2.1	
$-3.0\text{ V} \leq V_O \leq 3.0\text{ V}$	$t_{R2}$				
$C_L = 15\text{ pF}$		0.20	0.51	1.5	
$C_L = 1000\text{ pF}$		0.20	1.16	1.5	
$V_{CC} = 12.0\text{ V}, V_{EE} = -12.0\text{ V}$					
$-3.0\text{ V} \leq V_O \leq 3.0\text{ V}$					
$C_L = 15\text{ pF}$		0.20	0.62	1.5	
$C_L = 2500\text{ pF}$		0.20	0.82	1.5	
$10\% \leq V_O \leq 90\%$	$t_{R3}$				
$C_L = 15\text{ pF}$		0.53	1.41	3.2	
Output Fall Time					$\mu\text{s}$
$V_{CC} = 4.75\text{ V}, V_{EE} = -4.75\text{ V}$					
$3.3\text{ V} \leq V_O \leq -3.3\text{ V}$	$t_{F1}$				
$C_L = 15\text{ pF}$		0.22	0.93	2.1	
$C_L = 1000\text{ pF}$		0.22	1.28	2.1	
$3.0\text{ V} \leq V_O \leq -3.0\text{ V}$	$t_{F2}$				
$C_L = 15\text{ pF}$		0.20	0.72	1.5	
$C_L = 1000\text{ pF}$		0.20	1.01	1.5	
$V_{CC} = 12.0\text{ V}, V_{EE} = -12.0\text{ V}$					
$3.0\text{ V} \leq V_O \leq -3.0\text{ V}$					
$C_L = 15\text{ pF}$		0.20	0.70	1.5	
$C_L = 2500\text{ pF}$		0.20	0.94	1.5	
$90\% \leq V_O \leq 10\%$	$t_{F3}$				
$C_L = 15\text{ pF}$		0.53	1.71	3.2	
Output Slew Rate, $3.0\text{ k}\Omega < R_L < 7.0\text{ k}\Omega$ , $15\text{ pF} < C_L < 2500\text{ pF}$	$S_R$	4.0	–	30	$\text{V}/\mu\text{s}$
Propagation Delay A ( $C_L = 15\text{ pF}$ , see Figure 1)					$\mu\text{s}$
$V_{CC} = 12.0\text{ V}, V_{EE} = -12.0\text{ V}$					
Input to Output – Low to High	$t_{PLH}$	–	0.9	3.0	
Input to Output – High to Low	$t_{PHL}$	–	2.3	3.5	
Propagation Delay B ( $C_L = 15\text{ pF}$ , see Figure 1)					
$V_{CC} = 4.75\text{ V}, V_{EE} = -4.75\text{ V}$					
Input to Output – Low to High	$t_{PLH}$	–	0.4	2.0	
Input to Output – High to Low	$t_{PHL}$	–	1.5	2.5	

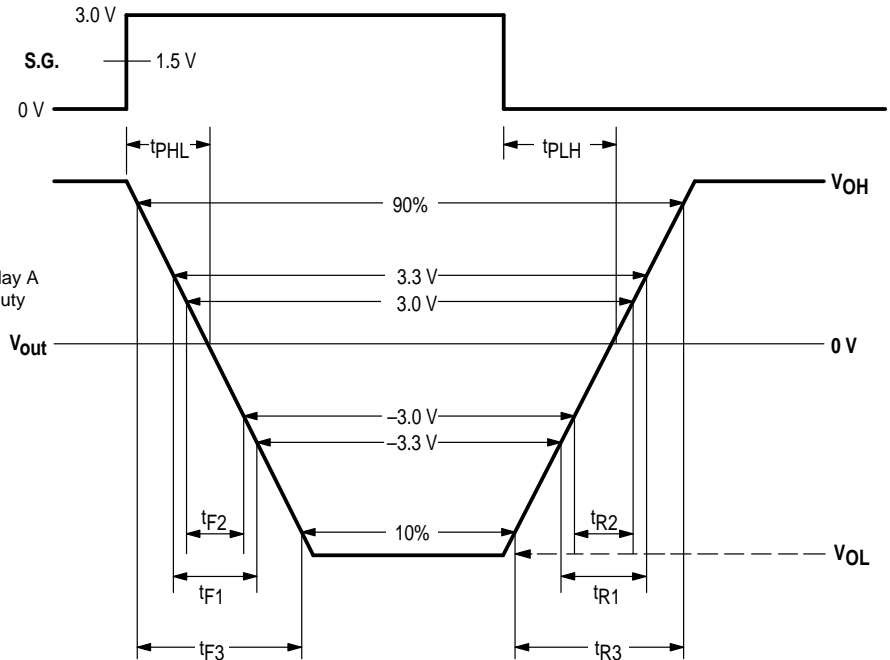
\* Typicals reflect performance @  $T_A = 25^{\circ}\text{C}$

# MC14C88B

Figure 1. Timing Diagram



NOTES: S.G. set to:  $f = 20$  kHz for Propagation Delay A and  $f = 64$  kHz for Propagation Delay B; Duty Cycle = 50%;  $t_R, t_F \leq 5.0$  ns



## STANDARDS COMPLIANCE

The MC14C88 is designed to comply with EIA-232-D (formerly RS-232), the newer EIA-562 (which is a higher speed version of the EIA-232), and CCITT's V.28. EIA-562 was written around modern integrated circuit technology, whereas EIA-232 retains many of the specs written around

the electro-mechanical circuitry in use at the time of its creation. Yet the user will find enough similarities to allow a certain amount of compatibility among equipment built to the two standards. Following is a summary of the key specifications relating to the systems and the drivers.

Parameter	EIA-232-D	EIA-562
Maximum Data Rate	20 kbaud	38.4 kbaud Asynchronous 64 kbaud Synchronous
Maximum Cable Length	50 feet	Based on cable capacitance/data rate
Maximum Slew Rate	$\leq 30$ V/ $\mu$ s anywhere on the waveform	$\leq 30$ V/ $\mu$ s anywhere on the waveform $\geq 4.0$ V/ $\mu$ s between +3.0 and -3.0 V
Transition Region	-3.0 to +3.0 V	-3.3 to +3.3 V
Transition Time	For $UI \geq 25$ ms, $t_R \leq 1.0$ ms For $25$ ms $> UI > 125$ $\mu$ s, $t_R \leq 4\%$ UI For $UI < 125$ $\mu$ s, $t_R \leq 5.0$ $\mu$ s	For $UI \geq 50$ $\mu$ s, $220$ ns $< t_R \leq 3.1$ $\mu$ s For $UI < 50$ $\mu$ s, $220$ ns $< t_R \leq 2.1$ $\mu$ s (within the transition region)
MARK (one, off)	More negative than -3.0 V	More negative than -3.3 V
Space (zero, on)	More positive than +3.0 V	More positive than +3.3 V
Short Circuit Proof ?	Yes, to any system voltage	Yes, to ground
Short Circuit Current	$\leq 500$ mA to any system voltage	$\leq 60$ mA to ground
Open Circuit Voltage	$ V_{OC}  \leq 25$ V	$ V_{OC}  < 13.2$ V
Loaded Output Voltage	$5.0$ V $\leq  V_O  \leq 15$ V for loads between $3.0$ k $\Omega$ and $7.0$ k $\Omega$	$ V_O  \geq 3.7$ V for a load of $3.0$ k $\Omega$
Power Off Input Source Impedance	$\geq 300$ $\Omega$ for $ V_O  \leq 2.0$ V	$\geq 300$ $\Omega$ for $ V_O  \leq 2.0$ V

NOTE: UI = Unit Interval, or bit time.  
V.28 standard has the same specifications as EIA-232, with the exception of transition time which is listed as "less than 1.0 ms, or 3% of the UI, whichever is less".

Figure 2. Typical Supply Current versus Supply Voltage

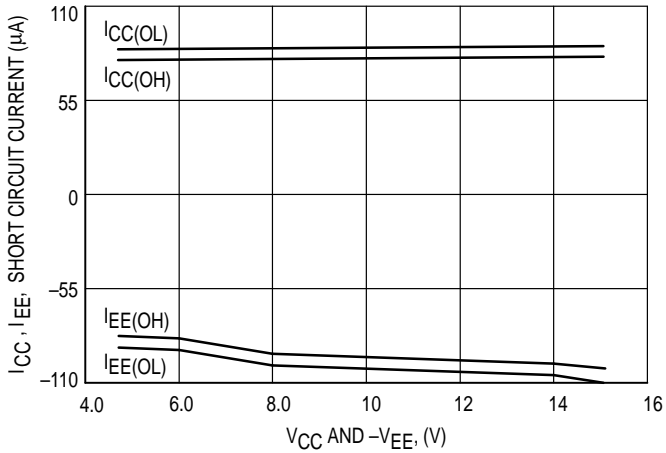


Figure 3. Typical Output Voltage versus Supply Voltage

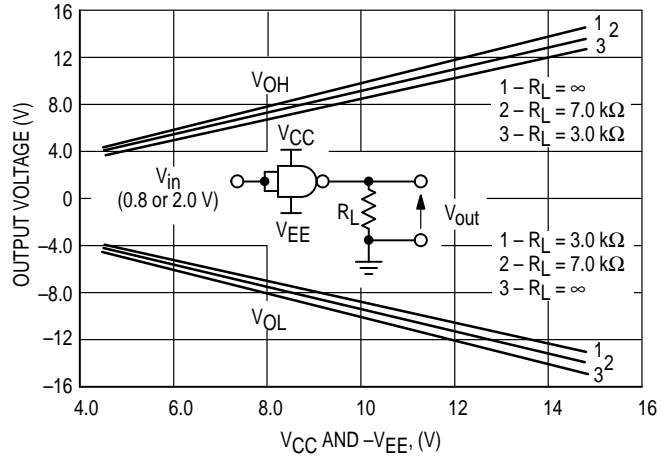


Figure 4. Typical Short Circuit Current versus Supply Voltage

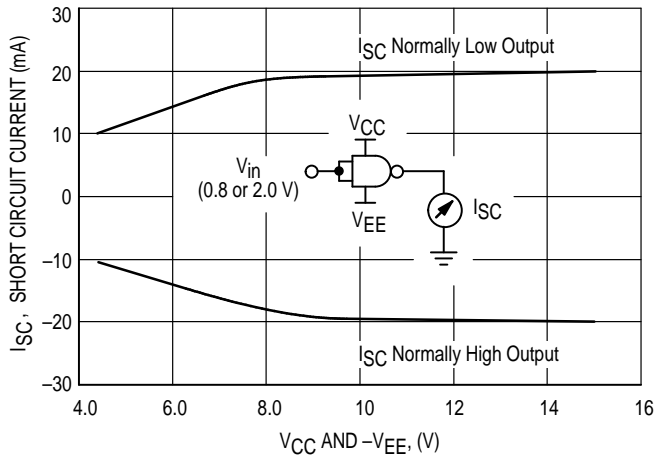
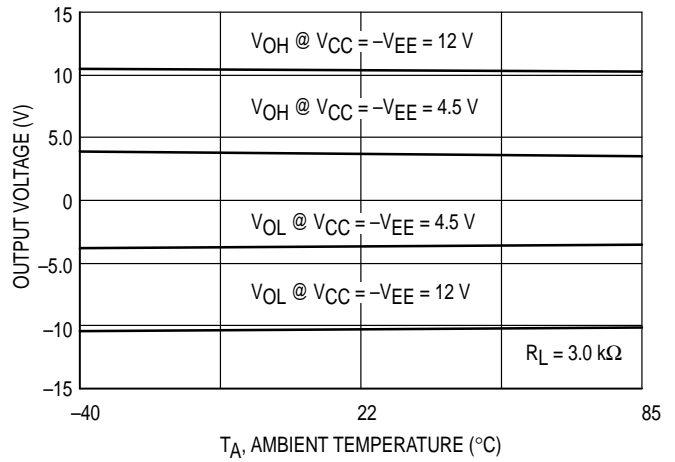


Figure 5. Typical Output Voltage versus Temperature



# MC14C88B

## APPLICATIONS INFORMATION

### Description

The MC14C88 was designed to be a direct replacement for the MC1488 in that it meets all EIA-232 specifications. However, use is extended as the MC14C88 also meets the faster EIA-562 and CCITT V.28 specifications. Slew rate limited outputs conform to the mentioned specifications and eliminate the need for external output capacitors. Low power consumption is made possible by BiMOS technology. Power supply current is limited to less than 160  $\mu$ A, plus load currents over the supply voltage range of  $\pm 4.5$  V to  $\pm 15$  V (see Figure 2).

### Outputs

The output low or high voltage depends on the state of the inputs, the load current, and the supply voltage (see Table 1 and Figure 3). The graphs apply to each driver regardless of how many other drivers within the package are supplying load current.

**Table 1. Function Tables**

Driver 1		
Input A	Output A	
H	L	
L	H	

Drivers 2 through 4		
Input *1	Input *2	Output*
H	H	L
L	X	H
X	L	H

H = High level, L = Low level, X = Don't care.

### Driver Inputs

The driver inputs determine the state of the outputs in accordance with Table 1. The nominal threshold voltage for the inputs is 1.4 Vdc, and for proper operation, the input voltages should be restricted to the range Gnd to  $V_{CC}$ . Should the input voltage drop below  $V_{EE}$  by more than 0.3 V

or rise above  $V_{EE}$  by more than 39 V, excessive currents will flow at the input pin. Open input pins are equivalent to logic high, but good design practices dictate that inputs should never be left open.

### Operating Temperature Range

The ambient operating temperature range is listed at  $-40^{\circ}$  to  $+85^{\circ}$ C and meets EIA-232-D, EIA-562 and CCITT V.28 specifications over this temperature range. The maximum ambient temperature is listed as  $+85^{\circ}$ C. However, a lower ambient may be required depending on system use, i.e. specifically how many drivers within a package are used, and at what current levels they are operating. The maximum power which may be dissipated within the package is determined by:

$$P_{Dmax} = \frac{T_{Jmax} - T_A}{R_{\theta JA}}$$

where:  $R_{\theta JA}$  = the package thermal resistance (typically,  $100^{\circ}$ C/W for the DIP package,  $125^{\circ}$ C/W for the SOIC package);

$T_{Jmax}$  = the maximum operating junction temperature ( $150^{\circ}$ C); and

$T_A$  = the ambient temperature.

$$P_D = \{ [(V_{CC} - V_{OH}) \times |I_{OH}|] \text{ or } [(V_{OL} - V_{EE}) \times |I_{OL}|] \} \text{ each driver} + (V_{CC} \times I_{CC}) + (V_{EE} \times I_{EE})$$

where:  $V_{CC}$  and  $V_{EE}$  are the positive and negative supply voltages;

$V_{OH}$  and  $V_{OL}$  are measured or estimated from Figure 3;

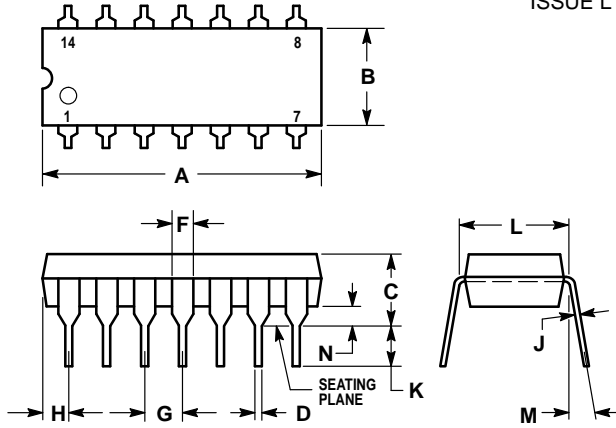
$I_{CC}$  and  $I_{EE}$  are the quiescent supply currents measured or estimated from Figure 2.

As indicated, the first term (in brackets) must be calculated and summed for each of the four drivers, while the last terms are common to the entire package.

# MC14C88B

## OUTLINE DIMENSIONS

### P SUFFIX PLASTIC PACKAGE CASE 646-06 ISSUE L

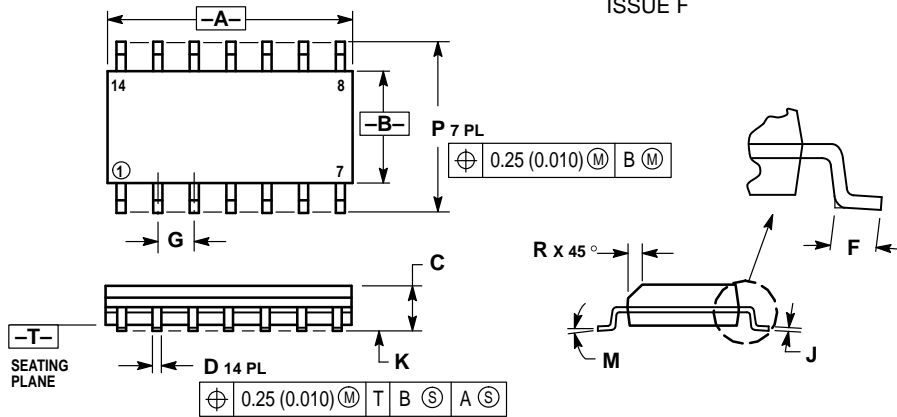


NOTES:

- LEADS WITHIN 0.13 (0.005) RADIUS OF TRUE POSITION AT SEATING PLANE AT MAXIMUM MATERIAL CONDITION.
- DIMENSION L TO CENTER OF LEADS WHEN FORMED PARALLEL.
- DIMENSION B DOES NOT INCLUDE MOLD FLASH.
- ROUNDED CORNERS OPTIONAL.

DIM	INCHES		MILLIMETERS	
	MIN	MAX	MIN	MAX
A	0.715	0.770	18.16	19.56
B	0.240	0.260	6.10	6.60
C	0.145	0.185	3.69	4.69
D	0.015	0.021	0.38	0.53
F	0.040	0.070	1.02	1.78
G	0.100 BSC		2.54 BSC	
H	0.052	0.095	1.32	2.41
J	0.008	0.015	0.20	0.38
K	0.115	0.135	2.92	3.43
L	0.300 BSC		7.62 BSC	
M	0°	10°	0°	10°
N	0.015	0.039	0.39	1.01

### D SUFFIX PLASTIC PACKAGE CASE 751A-03 (SO-14) ISSUE F




NOTES:

- DIMENSIONING AND TOLERANCING PER ANSI Y14.5M, 1982.
- CONTROLLING DIMENSION: MILLIMETER.
- DIMENSIONS A AND B DO NOT INCLUDE MOLD PROTRUSION.
- MAXIMUM MOLD PROTRUSION 0.15 (0.006) PER SIDE.
- DIMENSION D DOES NOT INCLUDE DAMBAR PROTRUSION. ALLOWABLE DAMBAR PROTRUSION SHALL BE 0.127 (0.005) TOTAL IN EXCESS OF THE D DIMENSION AT MAXIMUM MATERIAL CONDITION.

DIM	MILLIMETERS		INCHES	
	MIN	MAX	MIN	MAX
A	8.55	8.75	0.337	0.344
B	3.80	4.00	0.150	0.157
C	1.35	1.75	0.054	0.068
D	0.35	0.49	0.014	0.019
F	0.40	1.25	0.016	0.049
G	1.27 BSC		0.050 BSC	
J	0.19	0.25	0.008	0.009
K	0.10	0.25	0.004	0.009
M	0°	7°	0°	7°
P	5.80	6.20	0.228	0.244
R	0.25	0.50	0.010	0.019

# MC14C88B

Motorola reserves the right to make changes without further notice to any products herein. Motorola makes no warranty, representation or guarantee regarding the suitability of its products for any particular purpose, nor does Motorola assume any liability arising out of the application or use of any product or circuit, and specifically disclaims any and all liability, including without limitation consequential or incidental damages. "Typical" parameters which may be provided in Motorola data sheets and/or specifications can and do vary in different applications and actual performance may vary over time. All operating parameters, including "Typicals" must be validated for each customer application by customer's technical experts. Motorola does not convey any license under its patent rights nor the rights of others. Motorola products are not designed, intended, or authorized for use as components in systems intended for surgical implant into the body, or other applications intended to support or sustain life, or for any other application in which the failure of the Motorola product could create a situation where personal injury or death may occur. Should Buyer purchase or use Motorola products for any such unintended or unauthorized application, Buyer shall indemnify and hold Motorola and its officers, employees, subsidiaries, affiliates, and distributors harmless against all claims, costs, damages, and expenses, and reasonable attorney fees arising out of, directly or indirectly, any claim of personal injury or death associated with such unintended or unauthorized use, even if such claim alleges that Motorola was negligent regarding the design or manufacture of the part. Motorola and  are registered trademarks of Motorola, Inc. Motorola, Inc. is an Equal Opportunity/Affirmative Action Employer.

**How to reach us:**

**USA/EUROPE/Locations Not Listed:** Motorola Literature Distribution;  
P.O. Box 20912; Phoenix, Arizona 85036. 1-800-441-2447 or 602-303-5454

**MFAX:** RMFAX0@email.sps.mot.com – TOUCHTONE 602-244-6609  
**INTERNET:** <http://Design-NET.com>

**JAPAN:** Nippon Motorola Ltd.; Tatsumi-SPD-JLDC, 6F Seibu-Butsuryu-Center,  
3-14-2 Tatsumi Koto-Ku, Tokyo 135, Japan. 03-81-3521-8315

**ASIA/PACIFIC:** Motorola Semiconductors H.K. Ltd.; 8B Tai Ping Industrial Park,  
51 Ting Kok Road, Tai Po, N.T., Hong Kong. 852-26629298



MC14C88B/D

