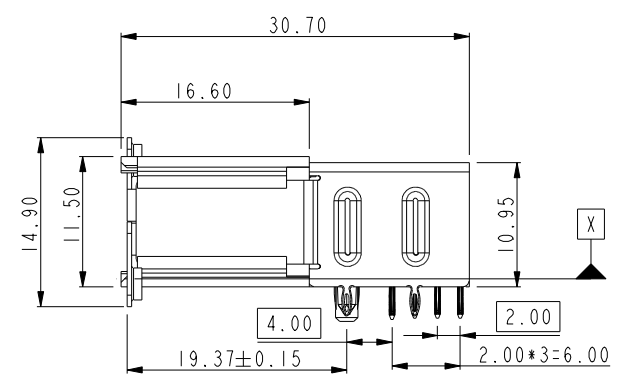
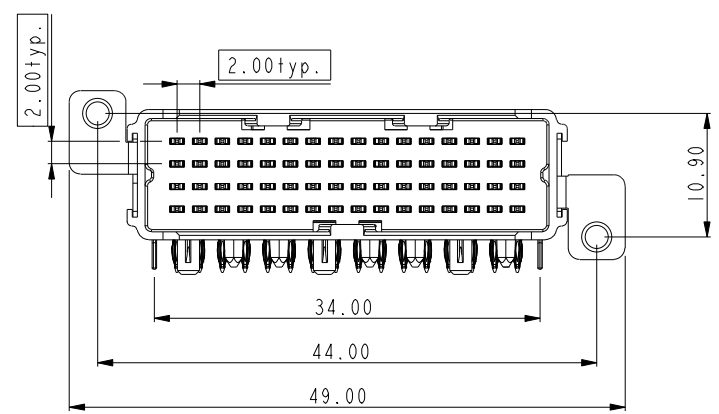
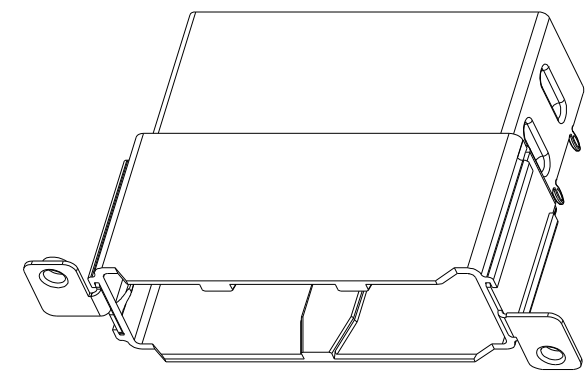
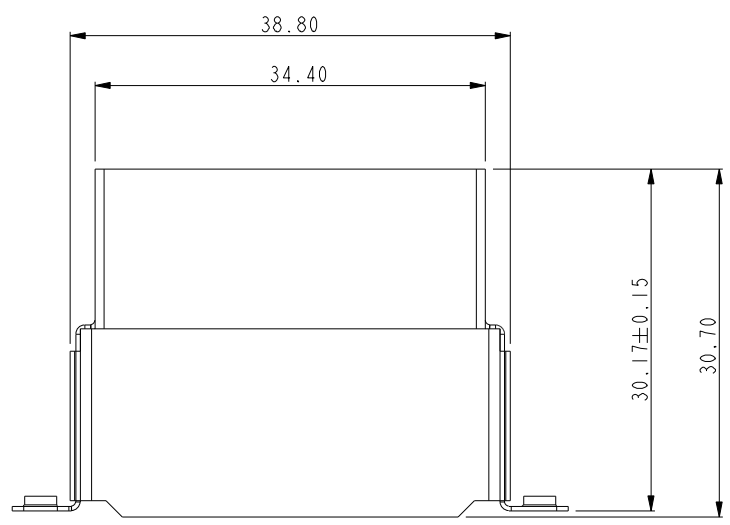


FCI CONFIDENTIAL



This document is the property of and embodies CONFIDENTIAL and PROPRIETARY information of FCI. No part of the information shown on this document may be used in any way or disclosed to others without the written consent of FCI. Copyright FCI.

P/N 10089332-101LF



NOTE:

- Thickness of frontpanel is required to have the correct dimension for the mounting ears.
- Material: Housing : LCP
Press Block: LCP
Shell: SUS304
Terminal; Phosphor Bronze
- The wiping distance of the connector terminal is 3.75mm when front panel thickness is 1.2mm .
- The wiping distance of the connector terminal is 2.45mm when front panel thickness is 2.5mm .

Mark with FRONT-PANEL REV. 1 in area indicated by X.....			
rev	ecn no	dr	date
A	DG09-0048	Junon	02/26/09
B	DG10-0196	Junon	05/27/10

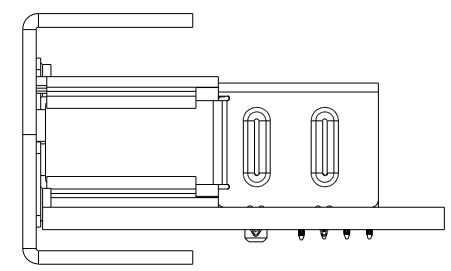
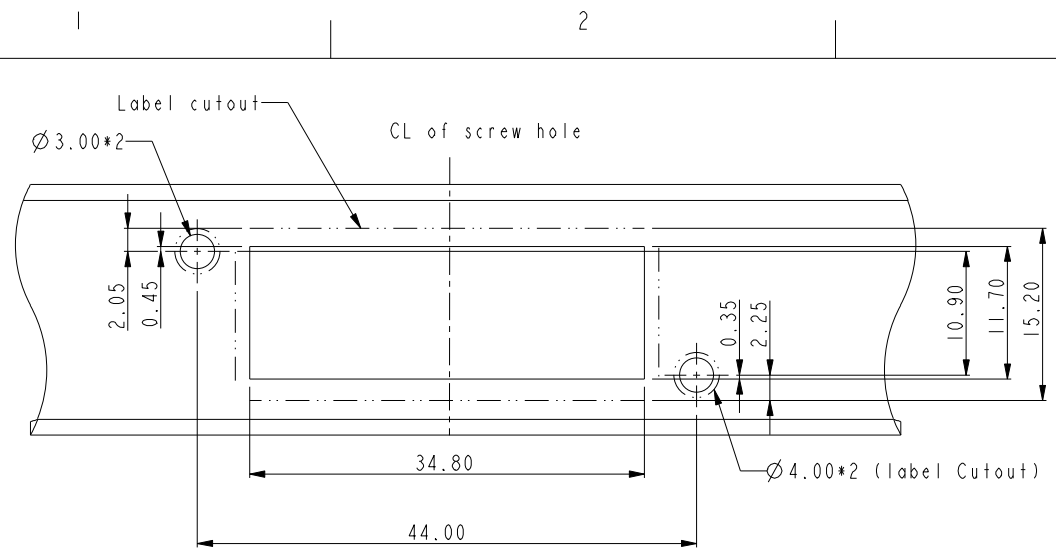
Material	*	Spec ref	
Mat code		tolerance	projection
Heatreat		✓	MM
Plating/Finish			
Dr	Junon Huang	06/03/08	size A4
Eng	Junon Huang	06/03/08	Scale 1.500
Chr	Gary Hsieh	06/03/08	Product family
Appr	Joseph Hsieh	06/03/08	Model Name BC001
			Model Revision
			Model Revision * REL Level *
FCI	title	64 pos VDSL Board connector	
Pro/E file	catalog	dwg no	10089332
		Rev.	B

TOLERANCES UNLESS OTHERWISE SPECIFIED		
LINEAR	0.X	±0.3
	0.XX	±0.15
	0.XXX	±0.08
ANGULAR	0°	±2°

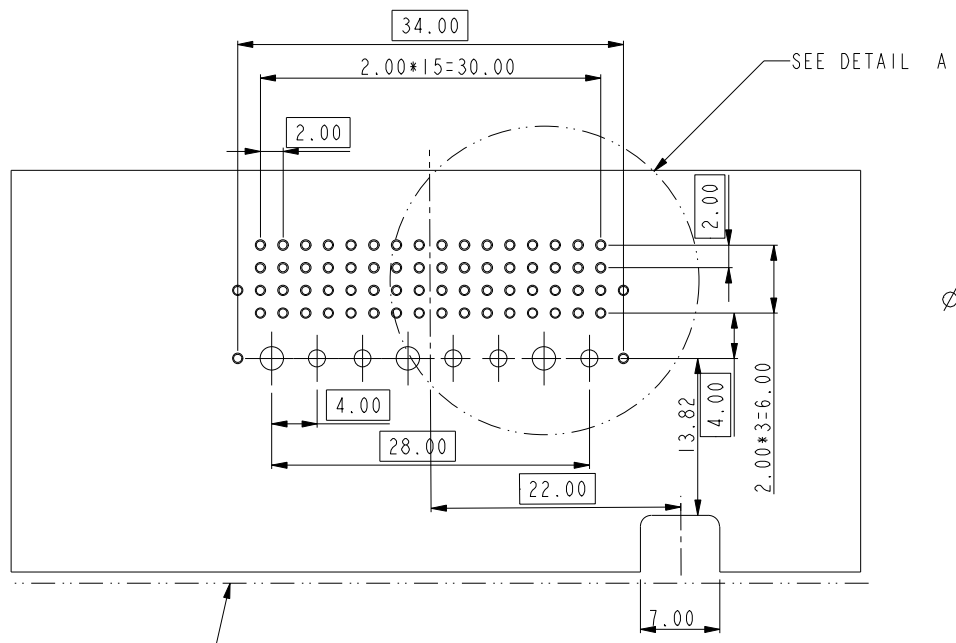
FCI CONFIDENTIAL



This document is the property of and embodies CONFIDENTIAL and PROPRIETARY information of FCI. No part of the information shown on this document may be used in any way or disclosed to others without the written consent of FCI. Copyright FCI.

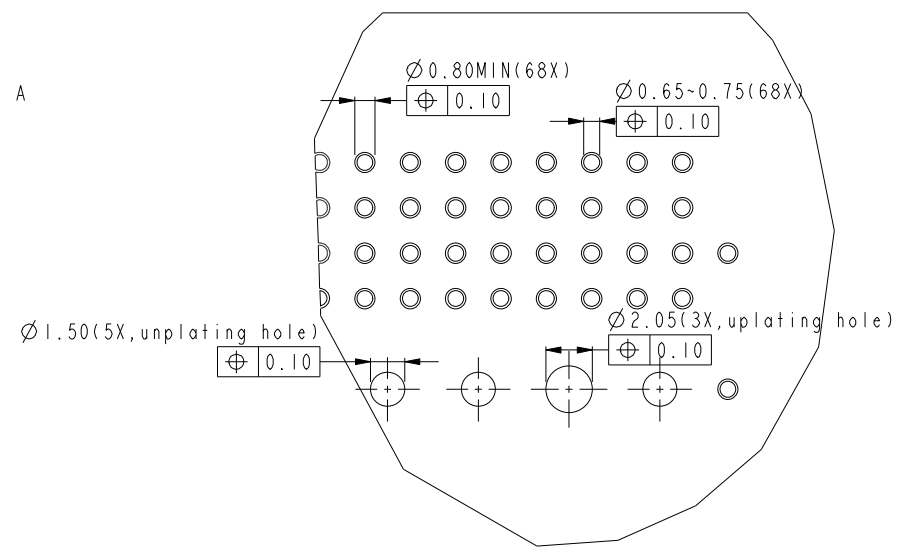


Recommend Frontpanel cutout dimensions



Mounting hole position refer to the inside surface of frontpanel

Recommended PCB Layout, Component mounting side



DETAIL A
SCALE 3.000

Material	*	Spec ref			
Mat code		tolerance	projection	MM	
Heatreat		✓	⊕	← →	
Plating/Finish		I	size	A4	
Dr	Junon Huang	06/03/08		Scale	1.000
Eng	Junon Huang	06/03/08	Product family		
Chr	Gary Hsieh	06/03/08	Model Name	BC001	ECN *
Appr	Joseph Hsia	06/03/08	Model Revision	I	REL Level *

	64 pos VDSL Board connector		dwg no 10089332	Rev. B
	Pro/E file	catalog		