





WR-102 Standard Gain Horn with 15 dBi gain, SMA Female connector

## Technical Data Sheet

**PEWAN102-15SF**

### Mechanical Specifications

#### Size

Length	6.173 in [156.79 mm]
Width	2.764 in [70.21 mm]
Height	1.989 in [50.52 mm]
Weight	0.561 lbs [254.47 g]

#### RF Connector

Type	SMA Female
------	------------

#### Waveguide Interface

Waveguide Size	WR-102
----------------	--------

### Environmental Specifications

**Compliance Certifications** (see [product page](#) for current document)

### Plotted and Other Data

Notes:

Click the following link (or enter part number in "SEARCH" on website) to obtain additional part information including price, inventory and certifications: [WR-102 Standard Gain Horn with 15 dBi gain, SMA Female connector PEWAN102-15SF](#)

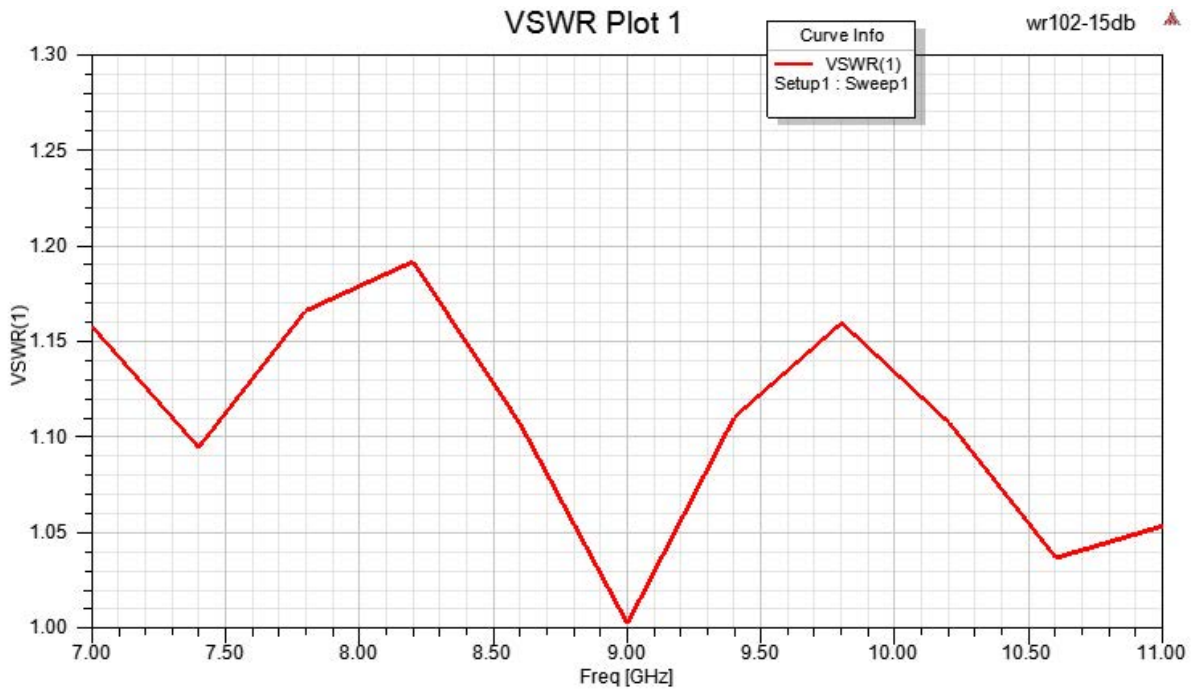


WR-102 Standard Gain Horn with 15 dBi gain, SMA Female connector

**Technical Data Sheet**

**PEWAN102-15SF**

Typical Performance Data



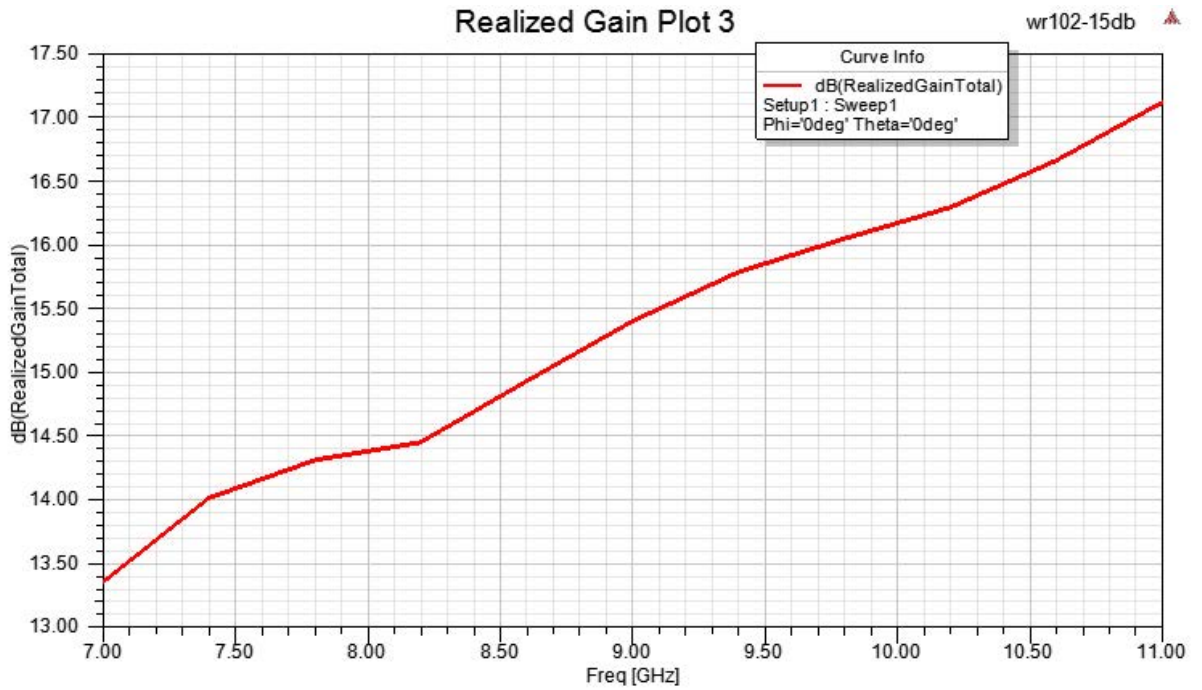
Click the following link (or enter part number in "SEARCH" on website) to obtain additional part information including price, inventory and certifications: [WR-102 Standard Gain Horn with 15 dBi gain, SMA Female connector PEWAN102-15SF](#)



WR-102 Standard Gain Horn with 15 dBi gain, SMA Female connector

**Technical Data Sheet**

**PEWAN102-15SF**



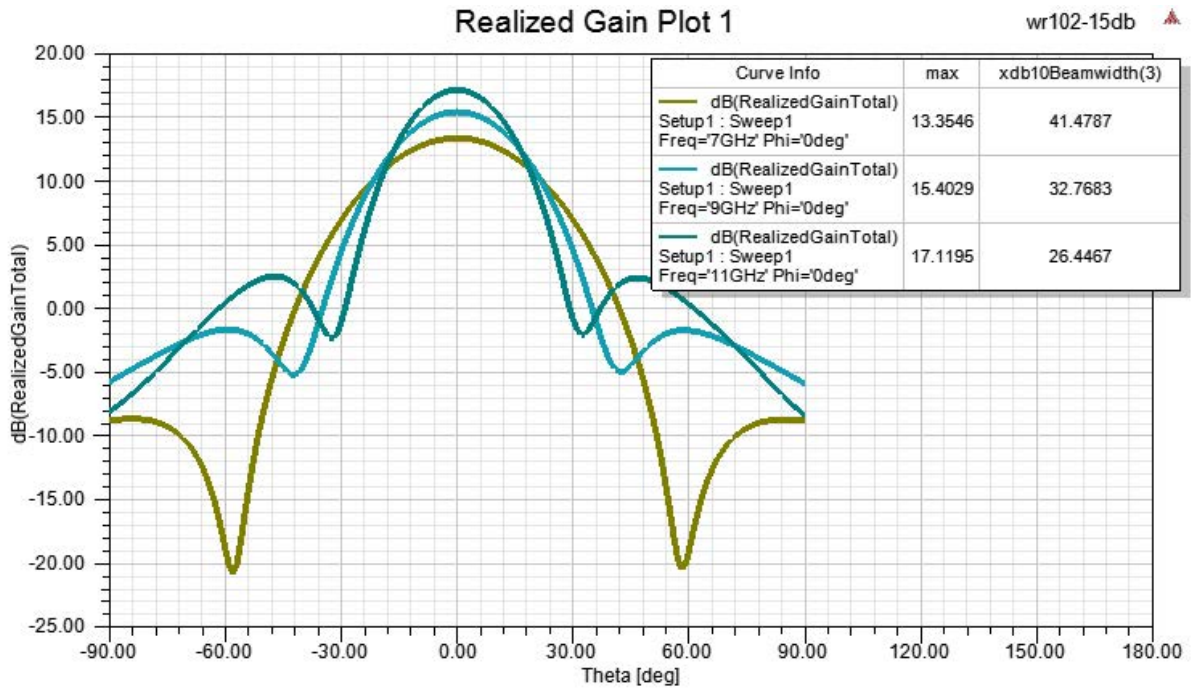
Click the following link (or enter part number in "SEARCH" on website) to obtain additional part information including price, inventory and certifications: [WR-102 Standard Gain Horn with 15 dBi gain, SMA Female connector PEWAN102-15SF](#)



WR-102 Standard Gain Horn with 15 dBi gain, SMA Female connector

**Technical Data Sheet**

**PEWAN102-15SF**



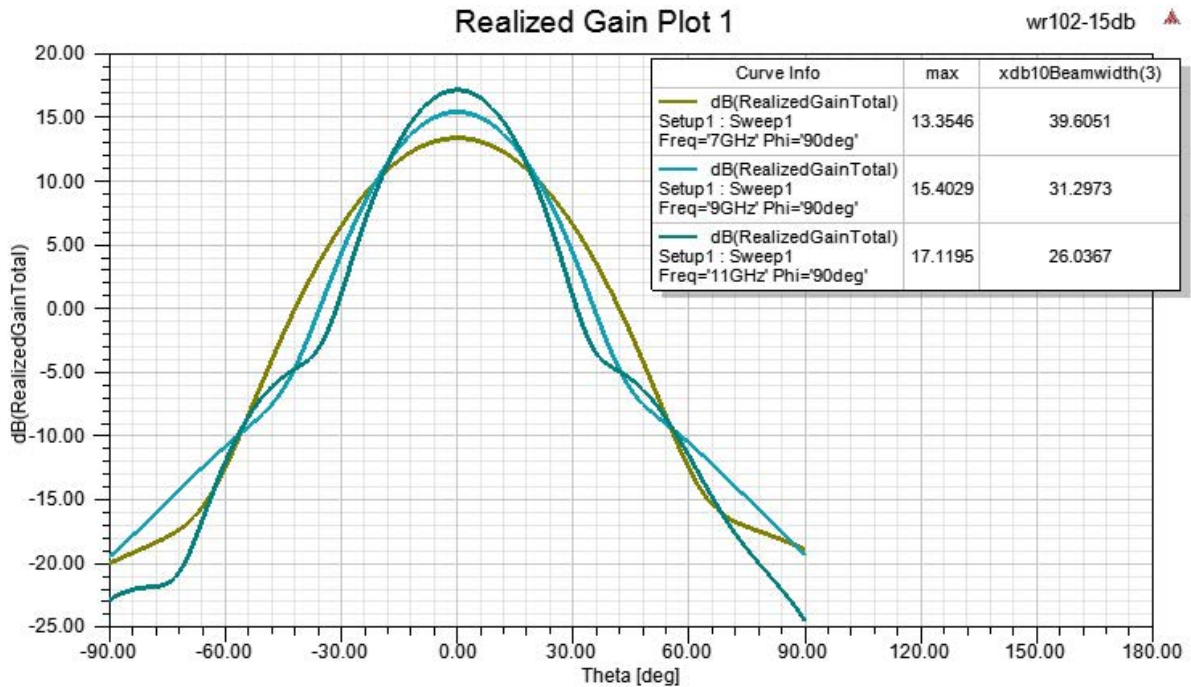
Click the following link (or enter part number in "SEARCH" on website) to obtain additional part information including price, inventory and certifications: [WR-102 Standard Gain Horn with 15 dBi gain, SMA Female connector PEWAN102-15SF](#)



WR-102 Standard Gain Horn with 15 dBi gain, SMA Female connector

**Technical Data Sheet**

**PEWAN102-15SF**



WR-102 Standard Gain Horn with 15 dBi gain, SMA Female connector from Pasternack Enterprises has same day shipment for domestic and International orders. Our RF, microwave and millimeter wave products maintain a 99.4% availability and are part of the broadest selection in the industry.

Click the following link (or enter part number in "SEARCH" on website) to obtain additional part information including price, inventory and certifications: [WR-102 Standard Gain Horn with 15 dBi gain, SMA Female connector PEWAN102-15SF](#)

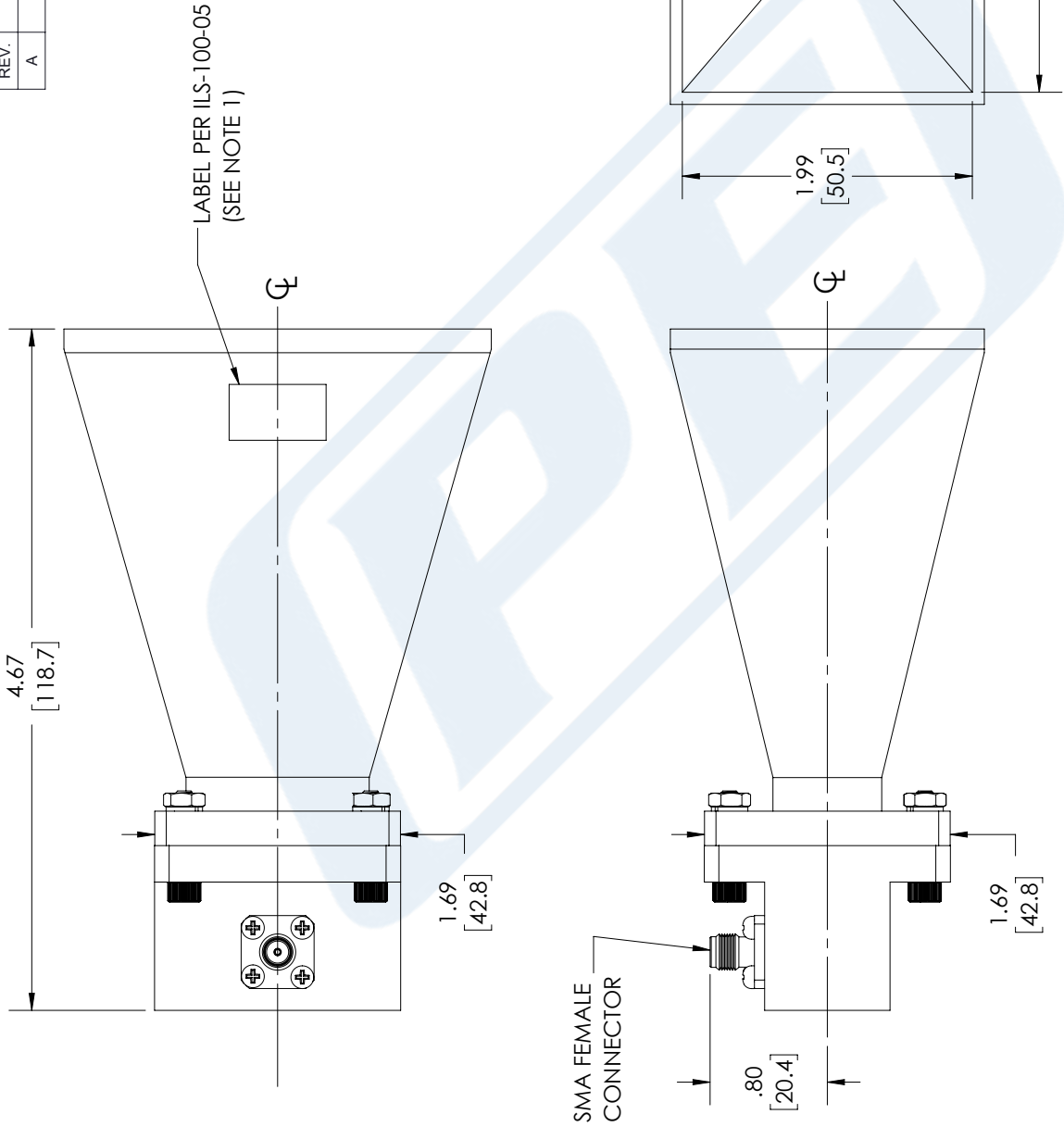
URL:

The information contained in this document is accurate to the best of our knowledge and representative of the part described herein. It may be necessary to make modifications to the part and/or the documentation of the part, in order to implement improvements. Pasternack reserves the right to make such changes as required. Unless otherwise stated, all specifications are nominal. Pasternack does not make any representation or warranty regarding the suitability of the part described herein for any particular purpose, and Pasternack does not assume any liability arising out of the use of any part or documentation.

# PEWAN102-15SF CAD Drawing

WR-102 Standard Gain Horn with 15 dBi gain, SMA Female connector

REVISIONS			
REV.	DESCRIPTION	DATE	APPROVED
A	INITIAL RELEASE	01/11/2022	KHIETPAS



<p>Pasternack Enterprises, Inc. P. O. Box 16759, Irvine, CA 92623. Phone: 1.949.261.1920   1.866.727.8376 Fax: 1.949.261.7451 Website: www.pasternack.com E-mail: sales@pasternack.com</p>	<p>THIRD-ANGLE PROJECTION</p> <p>THE INFORMATION AND DESIGN IN THIS DOCUMENT IS THE PROPERTY OF PASTERNAK CORPORATION. ALL RIGHTS RESERVED.</p>																
	<p>SHEET 1 OF 1</p> <p>SCALE N/A</p>																
<p>UNLESS OTHERWISE SPECIFIED LEADING DIMENSIONS ARE INCHES DIMENSIONS IN [ ] ARE MILLIMETERS</p> <p>TOLERANCES:</p> <table border="0"> <tr> <td>.X = ±.2 [5.08]</td> <td>FRACTIONS ± 1/32</td> </tr> <tr> <td>.XX = ±.02 [.51]</td> <td>ANGLES ± 1°</td> </tr> <tr> <td>.XXX = ±.005 [.13]</td> <td></td> </tr> </table> <p>CABLE LENGTH (L) TOLERANCES:</p> <table border="0"> <tr> <td>L ≤ 12 [305]</td> <td>±.1 [25]</td> </tr> <tr> <td>12 [305] &lt; L ≤ 60 [1524]</td> <td>±.2 [51]</td> </tr> <tr> <td>60 [1524] &lt; L ≤ 120 [3048]</td> <td>±.4 [102]</td> </tr> <tr> <td>120 [3048] &lt; L ≤ 300 [7620]</td> <td>±.6 [152]</td> </tr> <tr> <td>300 [7620] &lt; L</td> <td>±.9% [-]</td> </tr> </table> <p>ALL DIMENSIONS SHOWN ARE FOR REFERENCE ONLY.</p>	.X = ±.2 [5.08]	FRACTIONS ± 1/32	.XX = ±.02 [.51]	ANGLES ± 1°	.XXX = ±.005 [.13]		L ≤ 12 [305]	±.1 [25]	12 [305] < L ≤ 60 [1524]	±.2 [51]	60 [1524] < L ≤ 120 [3048]	±.4 [102]	120 [3048] < L ≤ 300 [7620]	±.6 [152]	300 [7620] < L	±.9% [-]	<p>ITEM NO. PEWAN102-15SF</p> <p>REV A</p>
.X = ±.2 [5.08]	FRACTIONS ± 1/32																
.XX = ±.02 [.51]	ANGLES ± 1°																
.XXX = ±.005 [.13]																	
L ≤ 12 [305]	±.1 [25]																
12 [305] < L ≤ 60 [1524]	±.2 [51]																
60 [1524] < L ≤ 120 [3048]	±.4 [102]																
120 [3048] < L ≤ 300 [7620]	±.6 [152]																
300 [7620] < L	±.9% [-]																

**NOTES:**  
 1. LABEL PER ILS-100-05 (FOR INTERNAL REFERENCE ONLY)  
 LABEL LOCATION FOR REFERENCE ONLY

THESE COMMODITIES, TECHNOLOGY OR SOFTWARE WERE EXPORTED FROM THE UNITED STATES IN ACCORDANCE WITH THE EXPORT ADMINISTRATION REGULATIONS. DIVERSION CONTRARY TO U.S. LAW PROHIBITED.