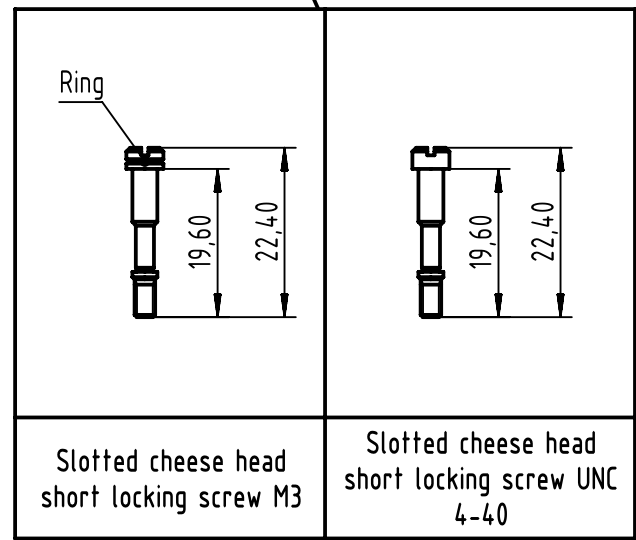


Knurled long locking screw UNC 4-40	Knurled long locking screw M3
-------------------------------------	-------------------------------



Slotted cheese head short locking screw M3	Slotted cheese head short locking screw UNC 4-40
--	--

Content D-Sub hood			Spare parts (MOQ100)	
Pos.	Quantity	Description	Part Number	Quantity
01	1	Bottom hood		
02	1	Top cover		
03	2	Locking screw:(Preassembled)		
		either slotted cheese head short locking screw 4-40 UNC(for 0967 050 0442)		
		or slotted cheese head short locking screw M3(for 0967 050 0482)		
		or knurled long locking screw 4-40 UNC(for 0967 050 0432)		
		or knurled long locking screw M3(for 0967 050 0492)		
04	2	Cover screw ST2,2		
05	2	Clamp screw ST2,2	0967 000 9945	1
06	1	Cable clamp	0967 000 9943	1

All Dimensions in mm Original Size DIN A3		Scale 1:1	Free size tol.	Ref.
All rights reserved Department EL PD		Created by ZENGDO	Inspected by LUOK	Standardisation ROEBEN
HARTING D-32339 Espelkamp		Title D-Sub plastic hood 50-pole with locking screws Type TB Number 096705004X2		Date 2022-01-21 State Final Release Doc-Key / ECM-Nr. 100847211/UGD/000/D 50000208988 Rev. D Page 1/1

09 67 050 04X2			
09 67 050 0492	M3	Long locking screw	With ring
09 67 050 0432	4-40 UNC		Without ring
09 67 050 0482	M3	Short locking screw	With ring
09 67 050 0442	4-40 UNC		Without ring
Part number	Screw size	Screw type	Identification for locking screw