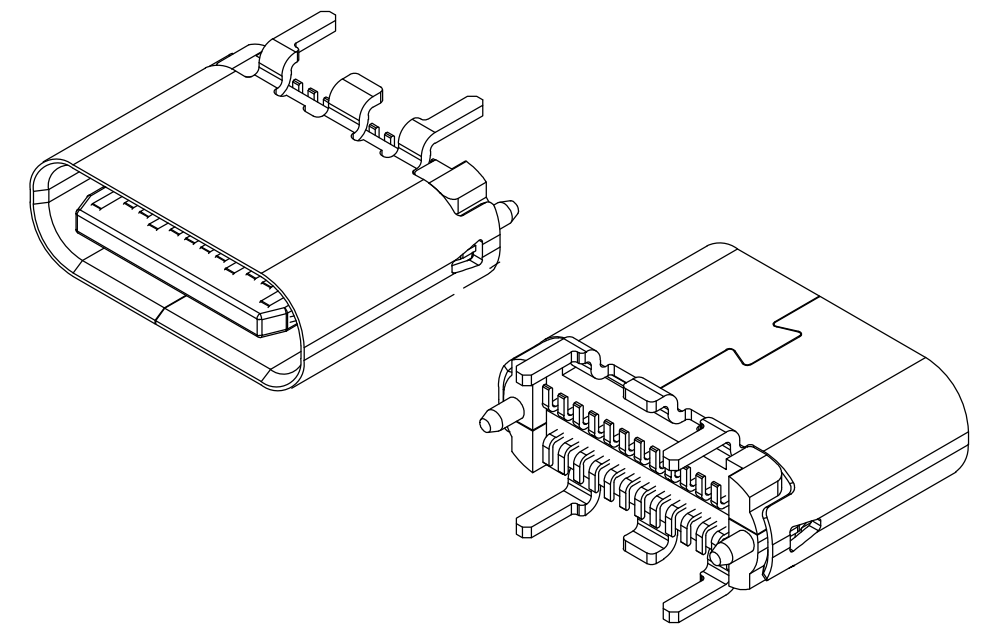
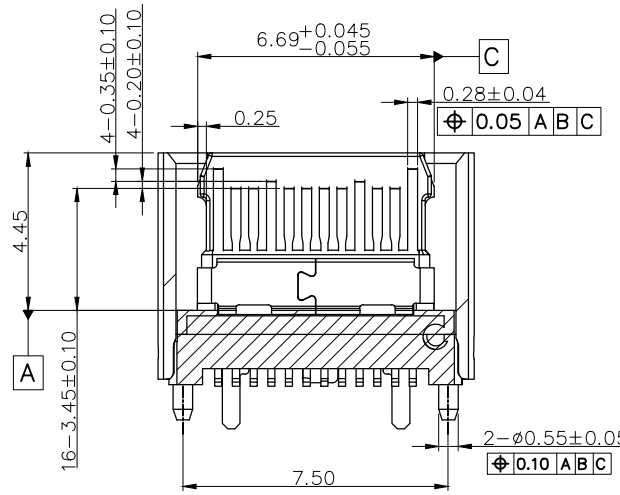
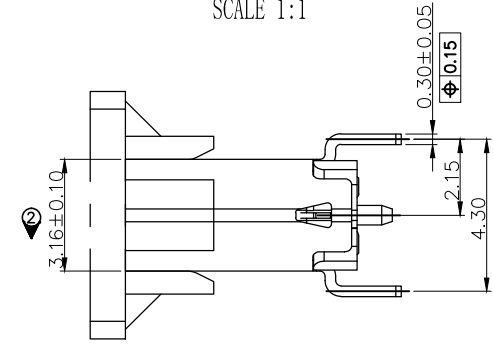
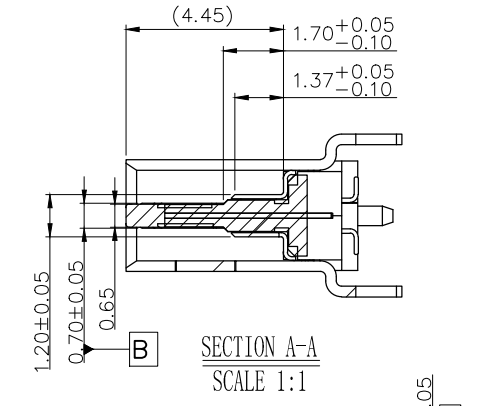
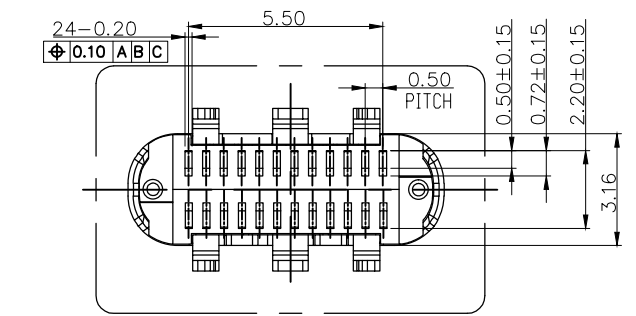
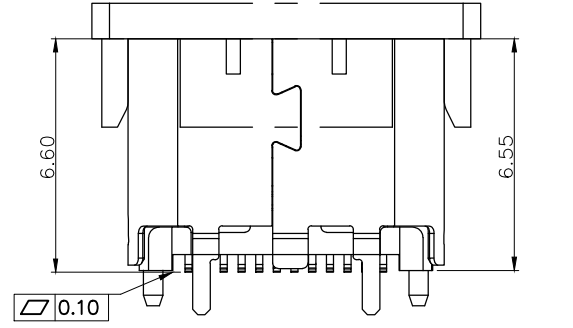
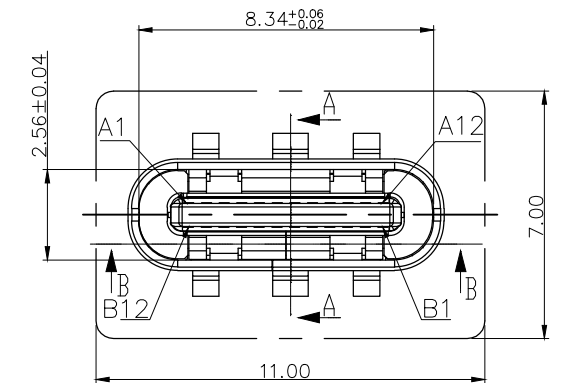
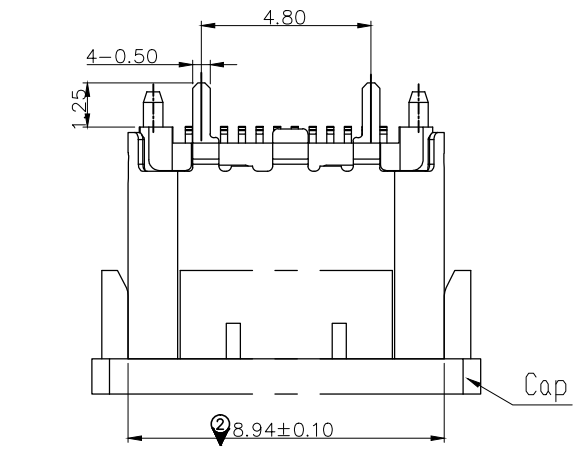


This document is the property of Amphenol Corporation and is delivered on the express condition that it is not to be disclosed, reproduced or used, in whole or in part, for manufacture or sale by anyone other than Amphenol Corporation without its prior consent, & that no right is granted to disclose or to use any information in this document.

CUSTOMER DRAWING

REVISIONS

SYM	ECN	DESCRIPTION	DATE	APPROVED
1		FIRST RELEASE	2020.01.17	Michael.lip
2		Add dimensional tolerance	2020.10.29	Michael.lip
3		Add Paking Drawing	2020.11.02	Michael.lip



Pin:

A1	A2	A3	A4	A5	A6	A7	A8	A9	A10	A11	A12
GND	TX1+	TX1-	Vbus	CC1	D+	D-	SBU1	Vbus	RX2-	RX2+	GND
GND	RX1+	RX1-	Vbus	SBU2	D-	D+	CC1	Vbus	TX2-	TX2+	GND
B12	B11	B10	B9	B8	B7	B6	B5	B4	B3	B2	B1

UNLESS OTHERWISE SPECIFIED TOLERANCES	
U.S.	METRIC
.X	+/- 0.50
.XX	+/- 0.25
.XXX	+/- 0.10
FRACTIONS	+/- 3°
ANGLES	+/-
FOR MATERIALS AND FINISHES SEE NOTES	
REMOVE SHARP EDGES	
DIMENSIONS	
U.S.	INCHES
(METRIC)	(MM)

APPROVAL	DATE
DRAWN Allan.Lal	11/02/20
CHECKED Michael.Qin	11/02/20
CHECKED Michael.Qin	
DRAWING FILE :	
ANGLE OF PROJECTION	

Amphenol Amphenol East Asia Limited		TITLE Customer Drawing For USB 3.1 GEN1, Type C connector, vertical Double SMT type, L=6.50mm	
		SIZE DRAWING NO. A3 C 12402032	REV. 3
SCALE	NONE	SHEET 1 OF 3	

This document is the property of Amphenol Corporation and is delivered on the express condition that it is not to be disclosed, reproduced or used, in whole or in part, for manufacture or sale by anyone other than Amphenol Corporation without its prior consent, & that no right is granted to disclose or to use any information in this document.

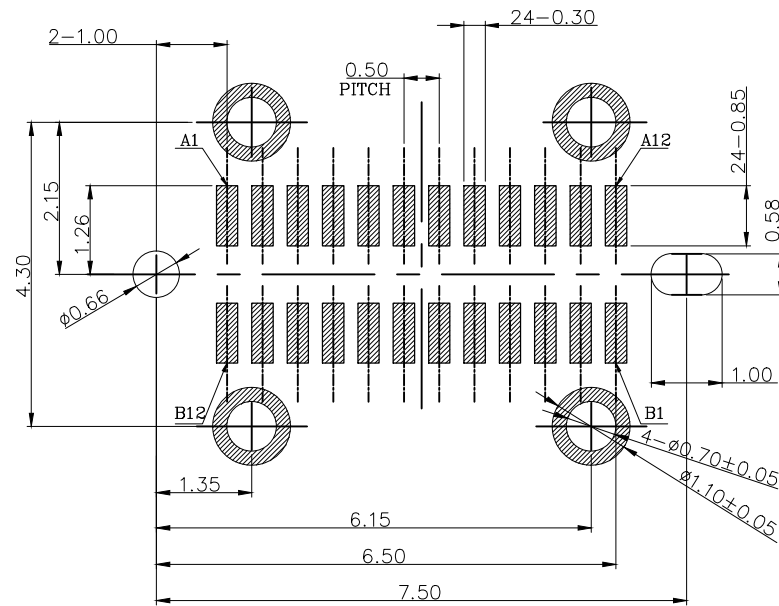
CUSTOMER DRAWING

REVISIONS

SYM	ECN	DESCRIPTION	DATE	APPROVED
		SEE PAGE 1		

NOTES/注释:

- MATERIAL/材料: SEE TABLE/见下表
- GENERAL SPECIFICATION/通用特性:
 - COPLANARITY /共面度: 0.10 Max.
 - CURRENT RATING: 5A / 额定电流: 5安培
 - CONTACT RESISTANCE: 40mΩ MAX (INITIAL).
INSULATION RESISTANCE: 100MΩ Min
接触电阻: 40毫欧最大(初始值) / 绝缘电阻: 100MΩ Min
 - DIELECTRIC WITHSTANDING VOLTAGE: 100 VAC
耐电压: 100伏交流
 - MECHANICAL CHARACTERISTICS:
INSERTION FORCE: 5~20N EXTRACTION FORCE: 8~20N
AFTER DURABILITY EXTRACTION FORCE: 6~20N
力学特性: 初始插入力: 5~20N 拔出力: 8~20N
耐久后拔出力: 6~20N
 - DURABILITY: 10000 CYCLES / 耐久性: 10000次
 - PACKAGING TYPE: CARRIER TAPE./ 包装类型: 载带包装
- DIMENSIONING SHALL BE INTERPRETED PER ASME Y14.5M 1994.
尺寸标注基于ASME Y14.5M 1994标准规范
- MATERIAL SHOULD BE FULFILLED AMPHENOL SPEC.# S-SN-002, FOR HALOGEN FREE PRODUCTS, ALSO NEED TO MEET S-SN-004.
产品材料环保标准为Amphenol SSN#002,如果是无卤产品需满足标准SSN#004
- ORDER P/N SYSTEM/产品料号编码系统 : 12402032XXX2A



RECOMMENDED P.C.B. LAYOUT (T:1.00mm)
TOLERANCE UNSPECIFIED ±0.05mm
SCALE: 2:1

Plating Spec: _____
E2: Mating Area: Gold flash
Solder Area: 100u" Min Matte Tin
50u" Min Nickel Under Plating Over All

A:HF
Package Spec.
2:Reel
Date Code Description
0:Without D/C

ITEM	DESCRIPTION	Q'TY	MATERIAL	FINISH
5	TERMINAL	24	Copper alloy	CONTACT:GOLD FLASH ; SOLDER TAIL:100u" MATTE TIN MIN;
4	SHELL	1	Stainless steel	SOLDER NICKEL: 50U" MIN
3	MID PLATE	1	Stainless steel	SOLDER NICKEL: 50U" MIN
2	EMC	2	Stainless steel	SOLDER NICKEL: 50U" MIN
1	MAIN HOUSING	1	Nylon	BLACK

UNLESS OTHERWISE SPECIFIED TOLERANCES		APPROVAL		DATE
U.S.	METRIC	DRAWN	Allan.Lai	11/02/20
.X	+/- 0.50	CHECKED	Michael.Qin	11/02/20
.XX	+/- 0.25	CHECKED	Michael.Qin	
.XXX	+/- 0.10			
FRACTIONS	+/- 3°			
ANGLES	+/-			
FOR MATERIALS AND FINISHES SEE NOTES		DRAWING FILE :		
REMOVE SHARP EDGES		ANGLE OF PROJECTION		
DIMENSIONS				
U.S.	INCHES	TITLE		Customer Drawing For
(METRIC)	(MM)	DRAWING NO.		C 12402032
		SCALE	NONE	SHEET 2 OF 3

Amphenol
Amphenol East Asia Limited

TITLE Customer Drawing For
USB 3.1 GEN1, Type C connector, vertical
Double SMT type, L=6.50mm

SIZE DRAWING NO. REV.
A3 C 12402032 3

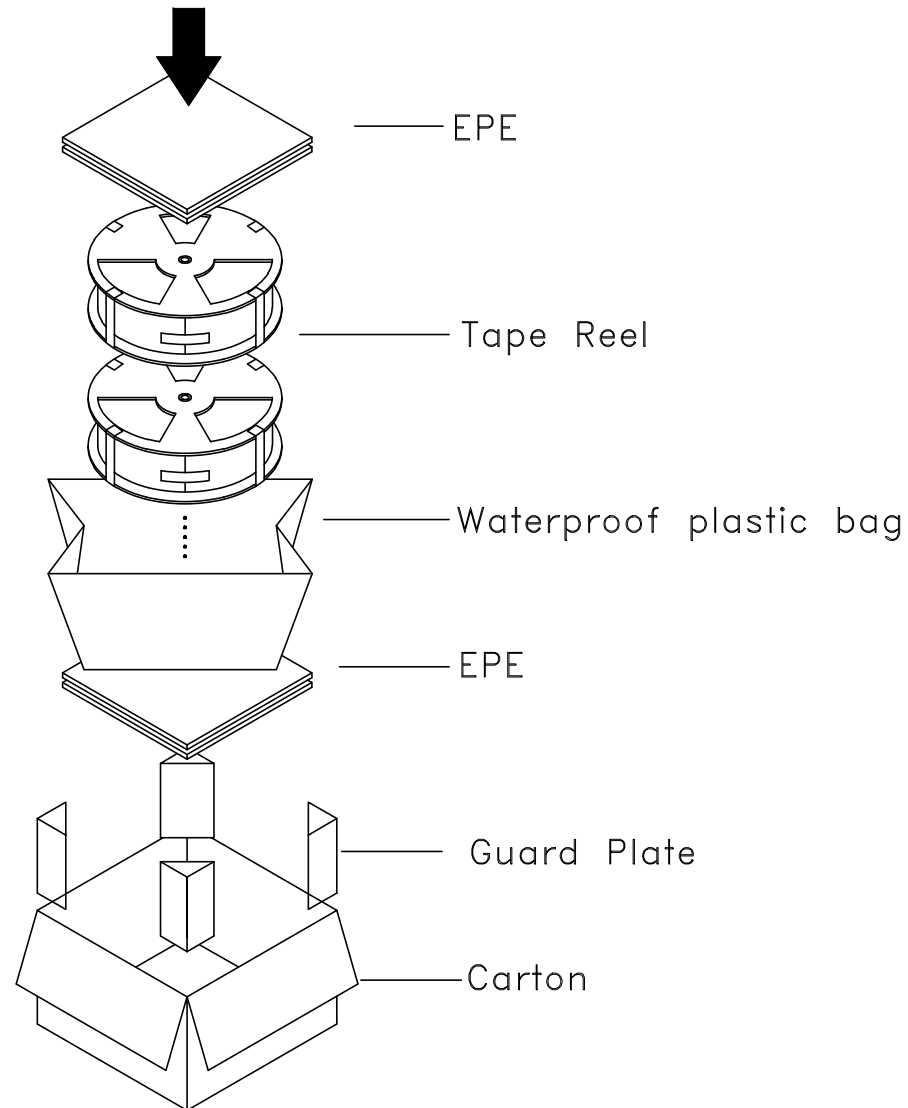
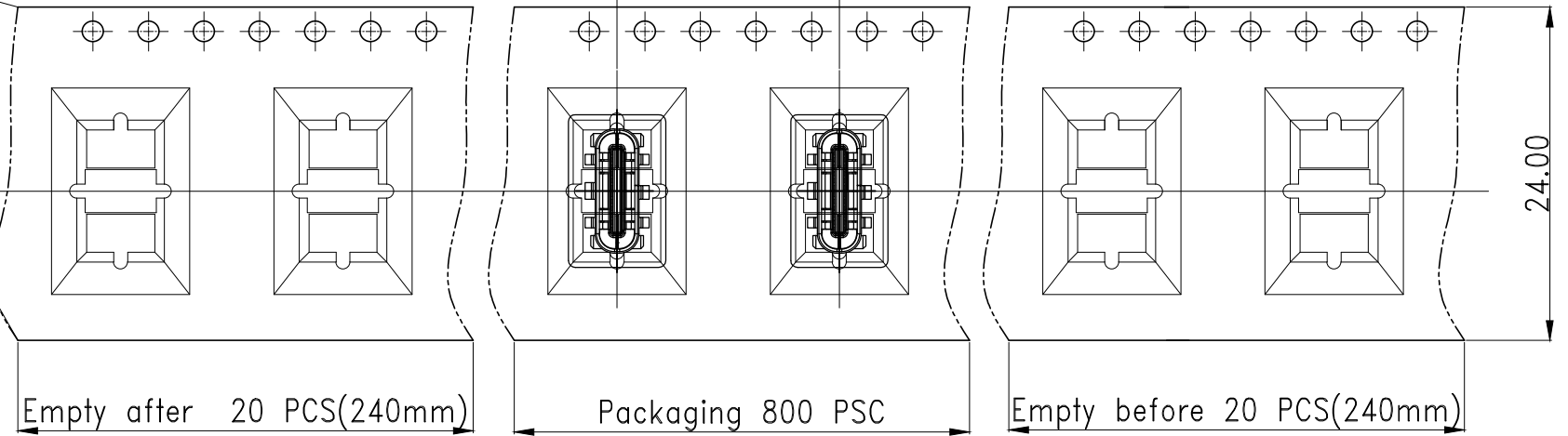
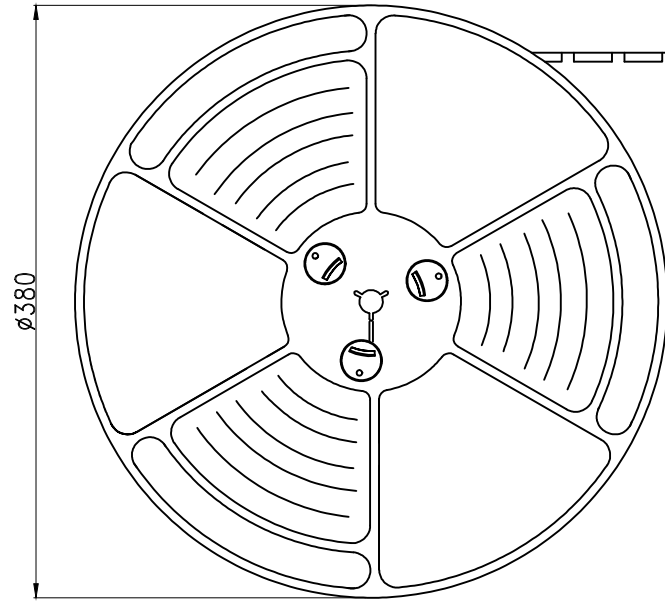
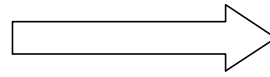
This document is the property of Amphenol Corporation and is delivered on the express condition that it is not to be disclosed, reproduced or used, in whole or in part, for manufacture or sale by anyone other than Amphenol Corporation without its prior consent, & that no right is granted to disclose or to use any information in this document.

CUSTOMER DRAWING

REVISIONS

SYM	ECN	DESCRIPTION	DATE	APPROVED
		SEE PAGE 1		

Use Direction



PACKING CAPACITY		
PCS/REEL	REELS/CARTON	PCS/CARTON
800	8	6400

UNLESS OTHERWISE SPECIFIED TOLERANCES		
	U.S.	METRIC
.X	+/-	0.50
.XX	+/-	0.25
.XXX	+/-	0.10
FRACTIONS	+/-	
ANGLES	+/-	3°

APPROVAL		DATE
DRAWN	Allan.Lai	11/02/20
CHECKED	Michael.Qin	11/02/20
CHECKED	Michael.Qin	
DRAWING FILE :		

Amphenol		
Amphenol East Asia Limited		
TITLE Customer Drawing For USB 3.1 GEN1, Type C connector, vertical Double SMT type, L=6.50mm		
SIZE	DRAWING NO.	REV.
A3	C 12402032	3
SCALE	NONE	SHEET 3 OF 3

D
C
B
A

D
C
B
A

4

3

2

1