

THIS DRAWING IS UNPUBLISHED.

RELEASED FOR PUBLICATION

© COPYRIGHT - BY TYCO ELECTRONICS CORPORATION.

ALL RIGHTS RESERVED.

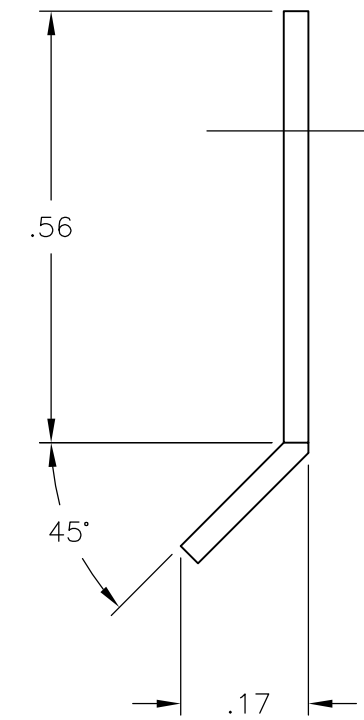
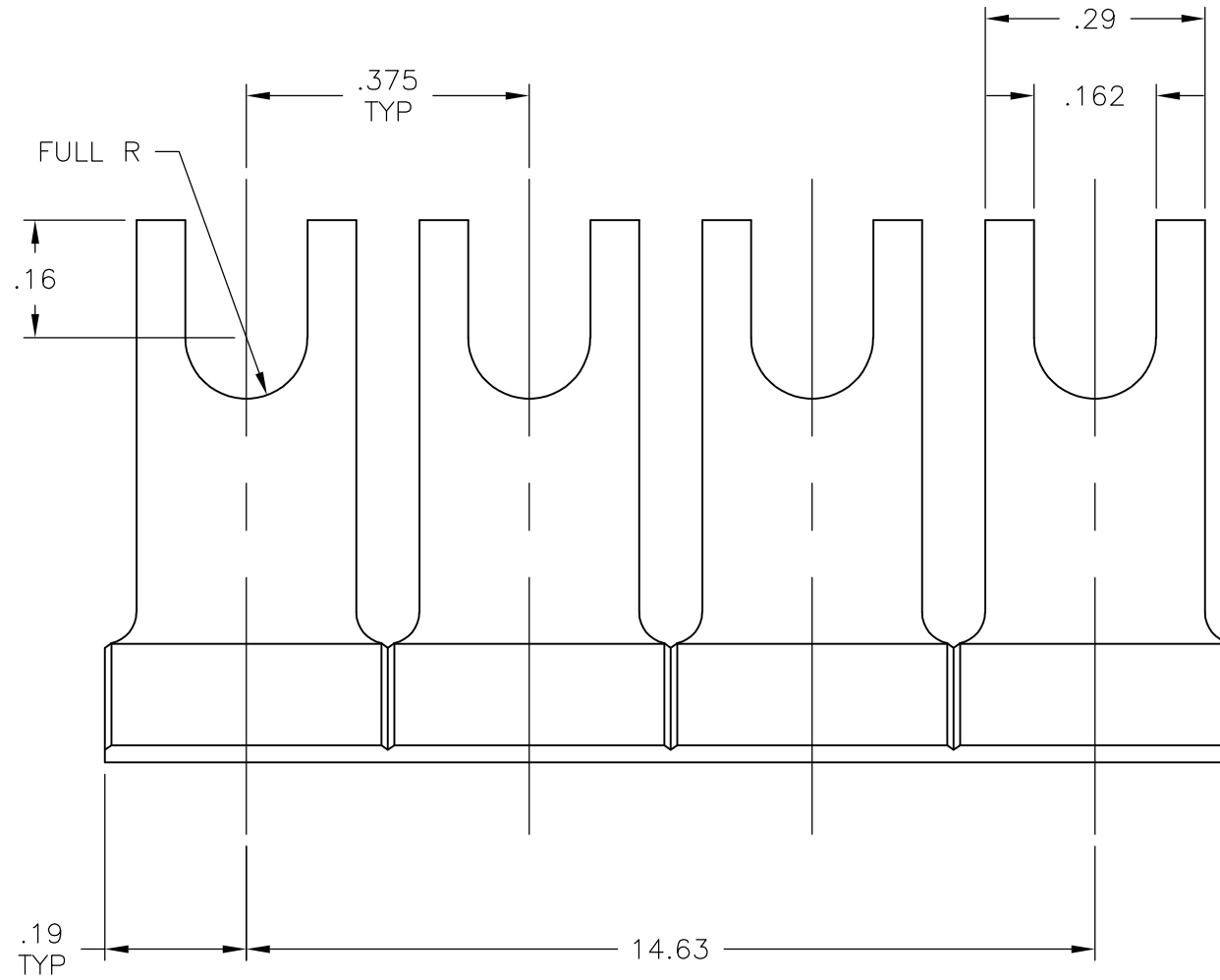
LOC FT DIST 0

REVISIONS

P	LTR	DESCRIPTION	DATE	DWN	APVD
	A	-	11/20/07	SS	SRY

NOTES:

- ① MATERIAL: .032 THK BRASS, 1/2 HARD.
- ② FINISH: .0002 MIN THK BRIGHT TIN OVER .0001 MIN THK COPPER.
- 3. PART CONTAINS 40 BREAK-AWAY POSITIONS.



J6140	5-1437418-4
CATALOG NO.	PART NUMBER

THIS DRAWING IS A CONTROLLED DOCUMENT.		DWN S SCHLEGEL 11/20/07	Tyco Electronics Tyco Electronics Corporation Harrisburg, PA 17105-3608													
DIMENSIONS: INCHES		CHK C WARNER 11/20/07	NAME 3/8 AROUND BARRIER SPADE TYPE JUMPER													
TOLERANCES UNLESS OTHERWISE SPECIFIED:		APVD C WARNER 11/20/07	PRODUCT SPEC -													
<table border="0"> <tr><td>0 PLC</td><td>± -</td></tr> <tr><td>1 PLC</td><td>± -</td></tr> <tr><td>2 PLC</td><td>± .01</td></tr> <tr><td>3 PLC</td><td>± .005</td></tr> <tr><td>4 PLC</td><td>± -</td></tr> <tr><td>ANGLES</td><td>± 1°</td></tr> </table>		0 PLC	± -	1 PLC	± -	2 PLC	± .01	3 PLC	± .005	4 PLC	± -	ANGLES	± 1°	APPLICATION SPEC -		SIZE A3
0 PLC	± -															
1 PLC	± -															
2 PLC	± .01															
3 PLC	± .005															
4 PLC	± -															
ANGLES	± 1°															
MATERIAL - ①		FINISH - ②		CAGE CODE 00779												
		DRAWING NO C-5-1437418-4		RESTRICTED TO -												
CUSTOMER DRAWING		SCALE 4:1		SHEET 1 OF 1 REV A												