

THIS DRAWING IS UNPUBLISHED.

RELEASED FOR PUBLICATION

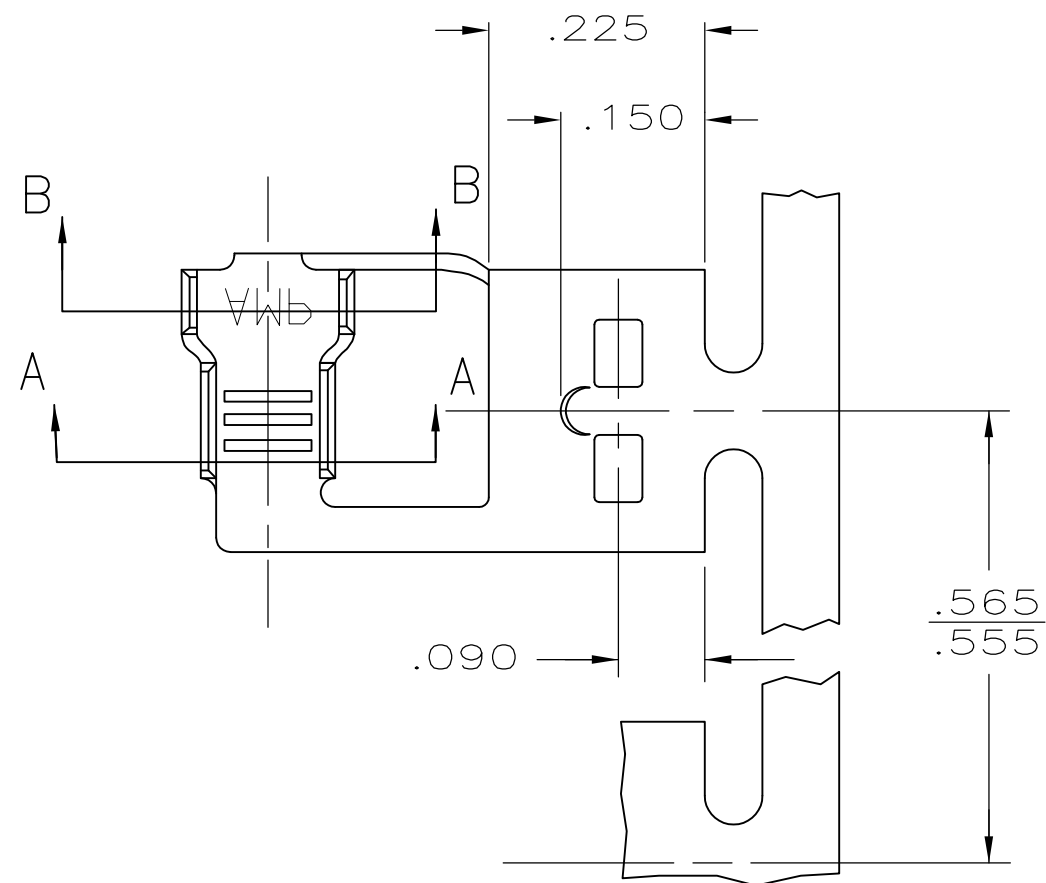
ALL RIGHTS RESERVED.

© COPYRIGHT - By -

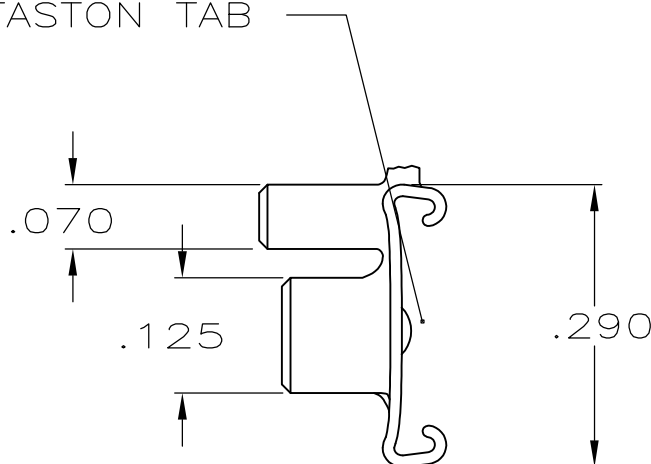
LOC AF DIST 50

REVISIONS

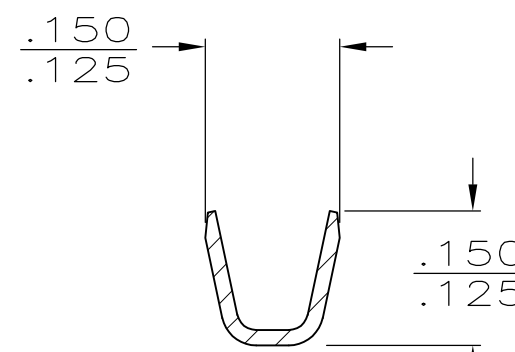
P	LTR	DESCRIPTION	DATE	DWN	APVD
T		REVISED PER ECR-12-013445	18OCT12	KH	PD



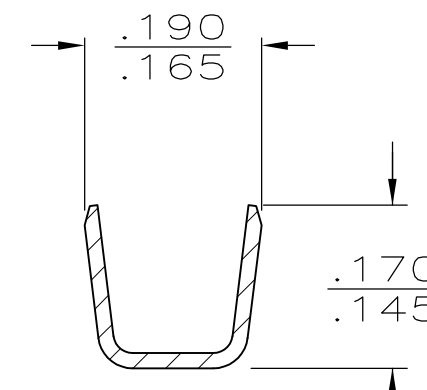
FITS .250 SERIES FASTON TAB



1 - CONTINUOUS STRIP ON REELS.



SECTION A-A



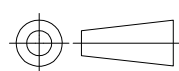
SECTION B-B

.090-.140	18-14	.032	TIN	.016 PH BRONZE	60290-3
.090-.140	18-14	.032	TIN	BRASS	60290-2
.090-.140	18-14	.032	---	BRASS	60290-1
INSUL RANGE	WIRE SIZE	TAB THK ±.001	FINISH	MATERIAL	PART NO

TYPE	WIDTH	STRIP LENGTH ±.015	TYPE	WIDTH	±.002 HEIGHT	WIRE
F	.155	.188	F	.110	.073	14
					.064	16
					.058	18
INSUL BARREL CRIMP		WIRE BARREL CRIMP				

THIS DRAWING IS A CONTROLLED DOCUMENT.

DIMENSIONS: INCHES



TOLERANCES UNLESS OTHERWISE SPECIFIED:

0 PLC	± -
1 PLC	± -
2 PLC	± -
3 PLC	± .015
4 PLC	± -
ANGLES	± -
FINISH	-

MATERIAL

-

DWN JR RUTH 10/4/85

CHK G YETTER 10/4/85

APVD C MEYERS 10/4/85

PRODUCT SPEC

APPLICATION SPEC

114-2079

WEIGHT -

CUSTOMER DRAWING

STE TE Connectivity

NAME .250 SERIES FLAG FASTON RECEPTACLE

SIZE	CAGE CODE	DRAWING NO	RESTRICTED TO
A3	00779	C-60290	-

SCALE NTS SHEET 1 OF 1 REV T