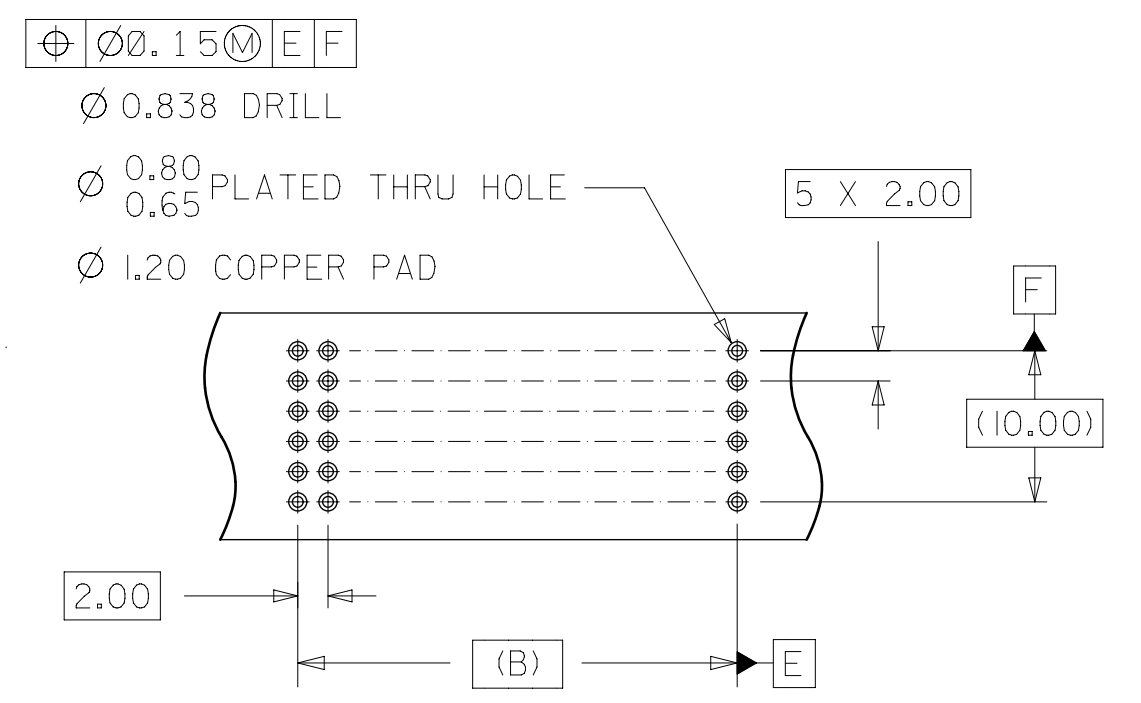
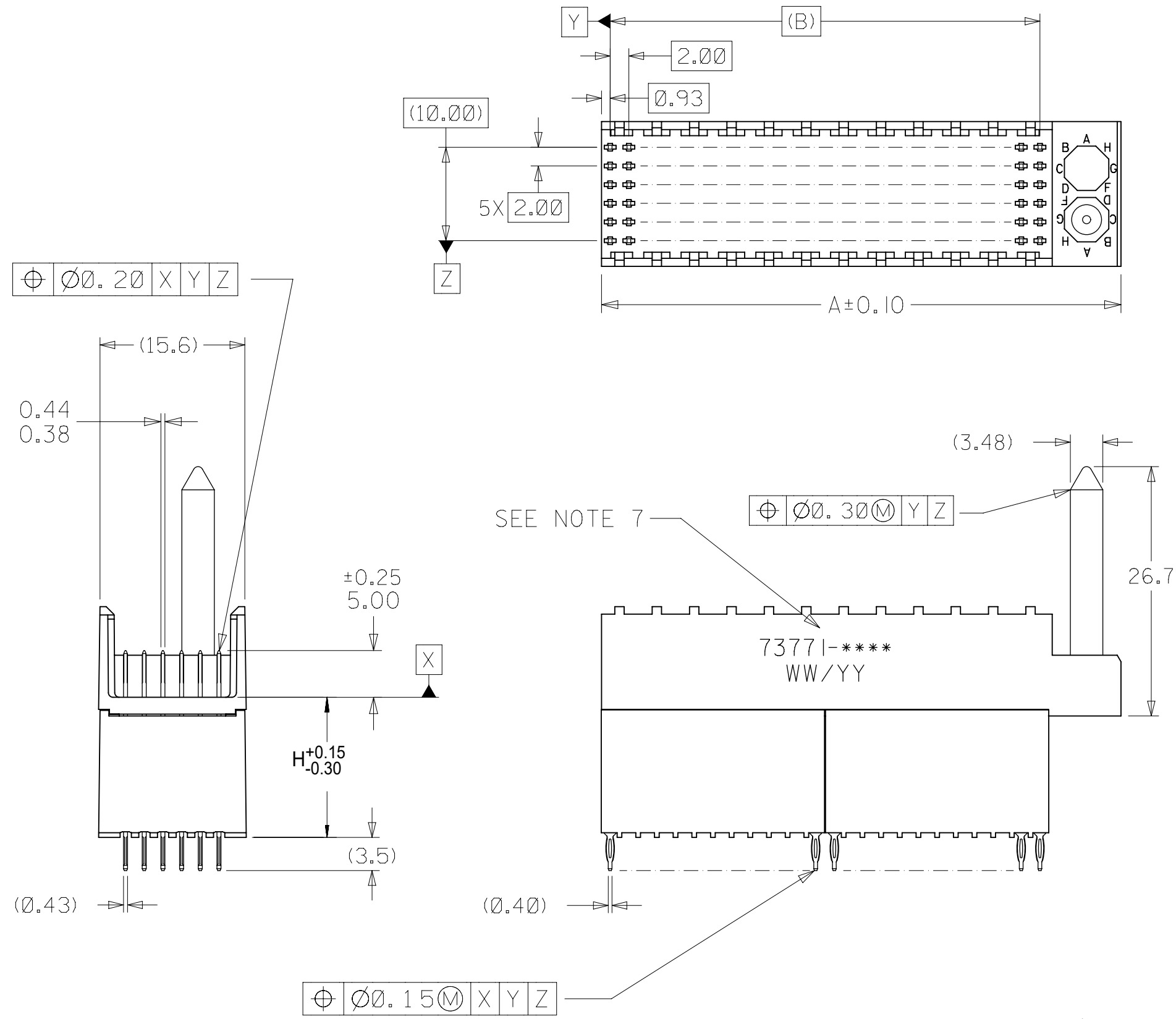


ASSEMBLY P/N	TOTAL NUMBER OF SIGNAL CONTACTS	DIM "A"	DIM "B"	DIM "H"
73771-02**	72	31.6	22.00	6.05
73771-03**	72	31.6	22.00	10.05
73771-11**	144	55.6	46.00	15.05
73771-12**	144	55.6	46.00	6.05
73771-13**	144	55.6	46.00	10.05



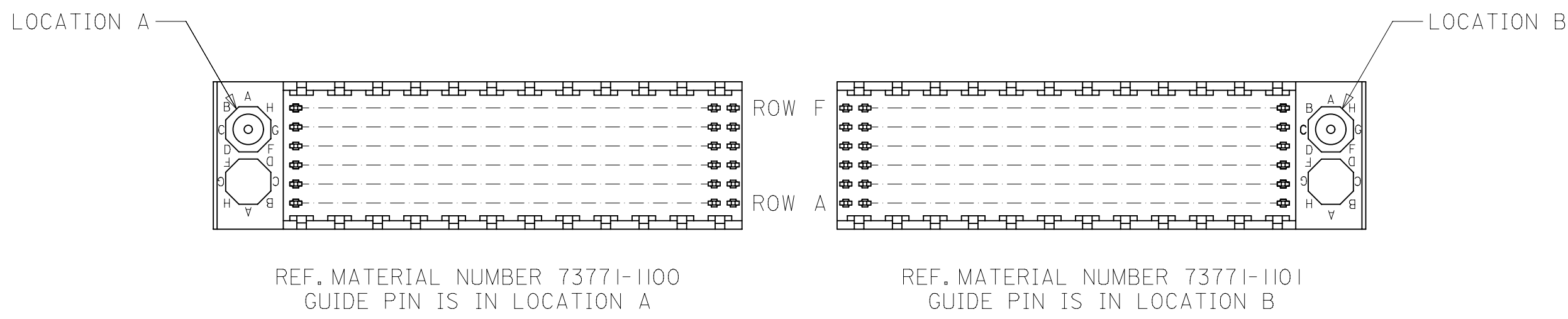
BACKPLANE HOLE PATTERN

PRE-RELEASE  
REFERENCE  
USE ONLY

NOTES:

1. MATERIALS: HOUSING-LIQUID CRYSTAL POLYMER (LCP), GLASS FILLED, UL 94V-0, COLOR: BLACK, TERMINAL-PHOSPHOR BRONZE
2. FINISH: SELECTIVE GOLD (Au) IN CONTACT AREA, 0.00076 mm MINIMUM THICKNESS: SELECTIVE MATTE TIN (Sn) ON TAILS, NICKEL (Ni) OVERALL.
3. THIS PART CONFORMS TO MOLEX PRODUCT SPECIFICATION PS-73780-999.
4. THIS PART CONFORMS TO COSMETIC SPECIFICATION PS-45499-002 CLASS C.
5. RECOMMENDED PCB THICKNESS: 2.50 MIN.
6. PACKAGE PER PK-70873-0870, PK-70873-0871 OR PK-70873-0875.
7. PART MARKED WITH PART NUMBER AND DATE CODE APPROXIMATELY WHERE SHOWN.

THIS DRAWING CONTAINS INFORMATION THAT IS PROPRIETARY TO MOLEX ELECTRONIC TECHNOLOGIES, LLC AND SHOULD NOT BE USED WITHOUT WRITTEN PERMISSION											
DIMENSION UNITS		SCALE		CURRENT REV DESC: REMOVED OBSOLETE PART NUMBER AS PER PCN#511698.							
mm		2:1									
GENERAL TOLERANCES (UNLESS SPECIFIED)				EC NO: 742551				SALES ASSEMBLY HDM BACKPLANE STACKING MOD CLOSED END OPT PRESSFIT			
				DRWN: SANTHN 2023/03/30							
4 PLACES ±				CHK'D: GGA 2023/05/12				PRODUCT CUSTOMER DRAWING			
3 PLACES ±				APPR: GGA 2023/05/12							
2 PLACES ± 0.05				INITIAL REVISION:				DOCUMENT NUMBER			
1 PLACE ± 0.1				DRWN: JBINHAM 1997/03/07				SD-73771-001			
0 PLACES ±				APPR: CBIXLER 1997/03/07				DOC TYPE DOC PART REVISION			
ANGULAR TOL ± 0.5°				DRAFT WHERE APPLICABLE MUST REMAIN WITHIN DIMENSIONS				PSD 001 J			
THIRD ANGLE PROJECTION				DRAWING SERIES				MATERIAL NUMBER CUSTOMER SHEET NUMBER			
				C-SIZE 73771				SEE TABLE GENERAL MARKET 1 OF 2			



MATERIAL NUMBER ASSIGNMENT

73771- \* \* \* \*

0 = 72-CIRCUIT  
1 = 144-CIRCUIT

1 = 15.05 STACKING HEIGHT  
2 = 6.05 STACKING HEIGHT  
3 = 10.05 STACKING HEIGHT

NUMBER	GUIDE POST LOCATION
00	A
01	B
02	N/A

PRE-RELEASE  
REFERENCE  
USE ONLY

THIS DRAWING CONTAINS INFORMATION THAT IS PROPRIETARY TO MOLEX ELECTRONIC TECHNOLOGIES, LLC AND SHOULD NOT BE USED WITHOUT WRITTEN PERMISSION											
DIMENSION UNITS <b>mm</b>		SCALE <b>1:1</b>		CURRENT REV DESC: REMOVED OBSOLETE PART NUMBER AS PER PCN#511698.				<b>molex</b>		SALES ASSEMBLY HDM BACKPLANE STACKING MOD CLOSED END OPT PRESSFIT	
GENERAL TOLERANCES (UNLESS SPECIFIED)				EC NO: 742551 DRWN: SANTHN 2023/03/30 CHK'D: GGA 2023/05/12 APPR: GGA 2023/05/12							
4 PLACES ±		±		INITIAL REVISION: DRWN: JBINGHAM 1997/03/07 APPR: CBIXLER 1997/03/07				DOCUMENT NUMBER		DOC TYPE   DOC PART   REVISION	
3 PLACES ±		±						SD-73771-001		PSD 001 J	
2 PLACES ± 0.05		±		DRAFT WHERE APPLICABLE MUST REMAIN WITHIN DIMENSIONS		MATERIAL NUMBER		CUSTOMER		SHEET NUMBER	
1 PLACE ± 0.1		±				SEE TABLE		GENERAL MARKET		2 OF 2	
0 PLACES ±		±		THIRD ANGLE PROJECTION		DRAWING		SERIES			
ANGULAR TOL ± 0.5°				C-SIZE		73771					