

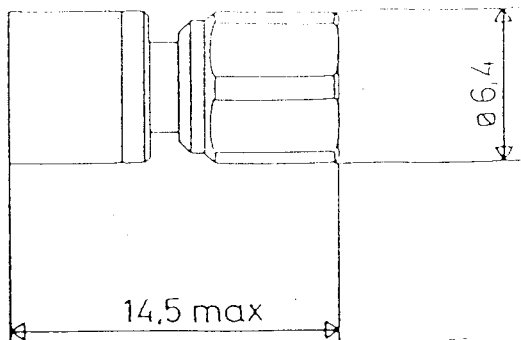


0.5 W DC- 8 GHz SMC/plug COAXIAL TERMINATION

issue  
23. sep. 03

Page  
1 / 1

**DRAWING**



General tolerances: +/- 0.5 mm

**R F CHARACTERISTICS**

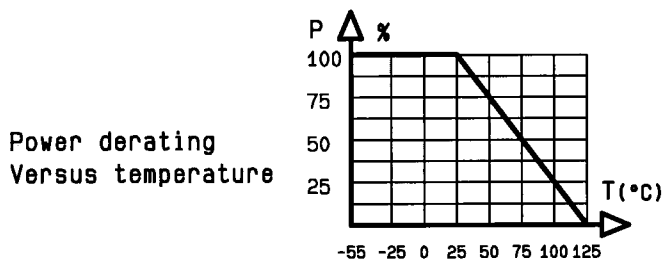
FREQUENCY RANGE : DC - 8 GHz  
 IMPEDANCE : 50 Ohms  
 DC RESISTANCE : 50 Ohms ± 5 %  
 V.S.W.R : DC - 2 GHz : ≤ 1.10  
           2 - 4 GHz : ≤ 1.20  
           4 - 8 GHz : ≤ 1.25  
 PEAK POWER at 25°C (1µs,1%.) : 100 W  
 AVERAGE POWER at 25°C : 0.5 W

**MECHANICAL CHARACTERISTICS**

CONNECTORS : SMC plug per MIL-C 39012  
 WEIGHT : < 3 g

**ENVIRONMENTAL CHARACTERISTICS**

OPERATING TEMPERATURE RANGE (°C) : -55 , +125  
 STORAGE TEMPERATURE RANGE (°C) : -55 , +125



**MATERIALS AND FINISHES**

BODY : STAINLESS STEEL  
 CONTACT : BERYLLIUM COPPER - Ni1 Au2.5  
 INSULATOR : PTFE  
 NUT : Brass Ni 2  
 RESISTOR : ALUMINA SUBSTRATE

CREATION		REVISIONS		NAME	APPR.
N° :	23.sep.03	Add Materials and finishes		AF	FG
PEN/EP:CAT	11.jun.96	Change female to plug		MG	AF
Name:KL	12.may.95	Peak power 250 W--->100 W		TB	VE
Date:14.mar.89	09.oct.92	New format			PG
APP.:	ISSUE				

**RADIALL®**  
 101. rue P. Hoffmann -Z.I Ouest-  
 93116 ROSNY/BOIS Cedex-FRANCE  
 Phone:33(1)49353535  
 Fax :33(1)48546363  
 Twx RADIA 235220F

This information is given as an indication. In the continual goal to improve our products, we reserve the right to make any modifications judged necessary

4112-9212