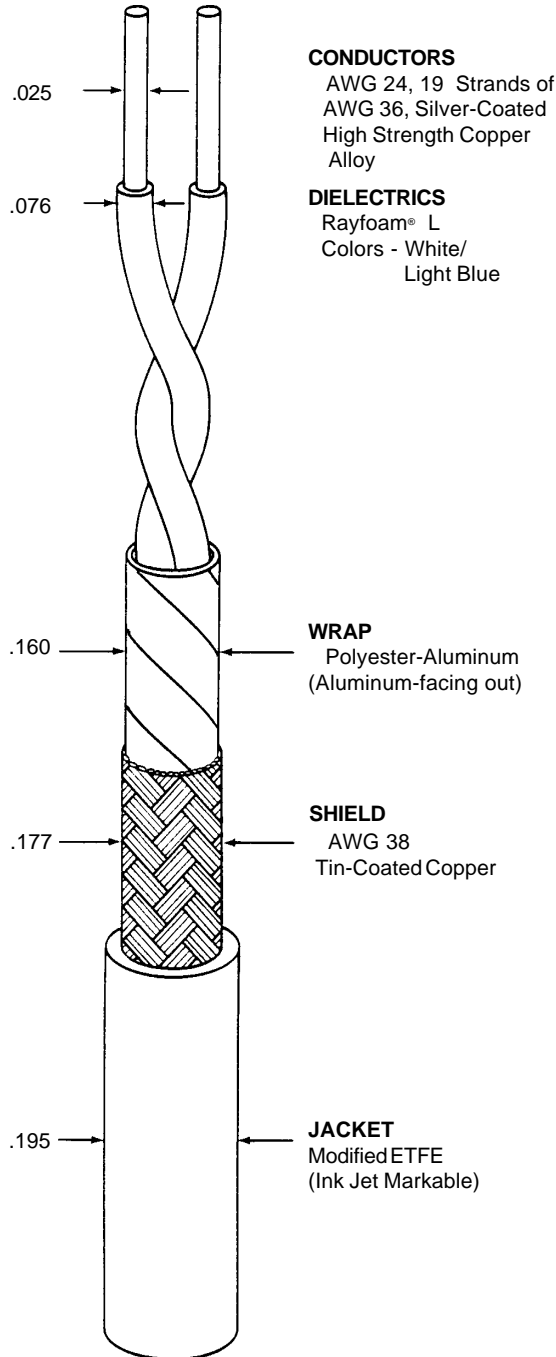


THIS SPECIFICATION SHEET FORMS A PART OF THE LATEST ISSUE OF RAYCHEM SPECIFICATION 1200.

CONSTRUCTION DETAILS

ELECTRICAL CHARACTERISTICS

DIMENSIONS ARE NOMINAL VALUES IN INCHES UNLESS OTHERWISE DESIGNATED.



CONDUCTORS
AWG 24, 19 Strands of
AWG 36, Silver-Coated
High Strength Copper
Alloy

DIELECTRICS
Rayfoam® L
Colors - White/
Light Blue

WRAP
Polyester-Aluminum
(Aluminum-facing out)

SHIELD
AWG 38
Tin-Coated Copper

JACKET
Modified ETFE
(Ink Jet Markable)

CHARACTERISTIC IMPEDANCE	125 ± 10 ohms, Method D at 10 MHz
CAPACITANCE - MUTUAL	11.0 pF/ft. (nominal)
VELOCITY OF PROPAGATION	78% (nominal)
ATTENUATION	2.0 dB/100ft (nominal) @ 10MHz

ADDITIONAL REQUIREMENTS

ELECTRICAL

CONDUCTOR RESISTANCE	26.5ohms/1000ft. (nominal)
INSULATION RESISTANCE	10,000megohms (minimum) for 1000ft.
JACKET FLAWS	
SPARK TEST	1.0 kV (rms)
IMPULSE TEST	6.0kV, (peak)
VOLTAGE WITHSTAND (DIELECTRIC)	1000volts(rms)(minimum)

ENVIRONMENTAL

FLAMMABILITY	Method B
HEAT SHOCK	225°C
LOW TEMPERATURE- COLD BEND	-55°C/5.50inch mandrel
VOLTAGE WITHSTAND (POST ENVIRONMENTAL)	1000volts (rms), 1 minute

PHYSICAL

INSULATION (DIELECTRIC) (Prior to Cabling)	
ELONGATION	50% (minimum)
TENSILE STRENGTH	1000 lbf/in ² (minimum)
JACKET	
ELONGATION	150% (minimum)
TENSILE STRENGTH	5000 lbf/in ² (minimum)
JACKET THICKNESS	.009 inch (nominal)
SHIELD COVERAGE	95% (nominal)
WRAP	.002 25% overlap (minimum)

WEIGHT	21.0 lbs/1000 ft. (nominal)
--------	-----------------------------

Outer jacket will be white (designated by a "-9" appended to the part number, e.g., 2524G0514-9) unless otherwise specified.

Designate outer jacket color with a dash number in accordance with MIL-STD-681. Other codes and suffixes may be added to the part number, as necessary, to capture any additional requirements imposed by the purchase order.

Users should evaluate the suitability of this product for their application. Specifications are subject to change without notice.

Tyco Electronics also reserves the right to make changes in materials or processing, which do not affect compliance with any specification, without notification to Buyer.