

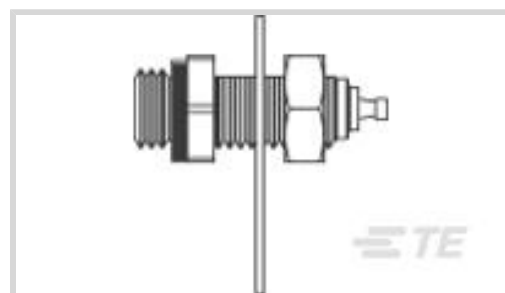
**Microdot**

TE Internal #: 1466288-1

SMB RF Interface, Receptacle, 50 Ω, Screw, 1 Position, Sealable,  
Wire & Cable, Panel Mount, -55 – 125 °C, Turret Pin / Solder Lug,  
Straight, Brass

[View on TE.com >](#)

Connectors &gt; RF Connectors &gt; Coax Connectors

RF Interface: **SMB**RF Connector Style: **Receptacle**RF Connector Mated Outer Diameter (Approximate): **4.75 mm [ .187 in ]**Impedance: **50 Ω**RF Connector Coupling Mechanism: **Screw****Features****Product Type Features**

Connector Shape	Circular
Connector Product Type	Connector Assembly
Connector Seal & Plug Type	Gasket
RF Interface	SMB
RF Connector Style	Receptacle
Sealable	Yes
Connector & Contact Terminates To	Wire & Cable

**Configuration Features**

Number of Positions	1
Number of Coaxial Contacts	1

**Electrical Characteristics**

Impedance	50 Ω
-----------	------

**Body Features**

Cable Connector Orientation	Straight
Body Material	Brass
Body Material Finish	Plated
Body Plating Material	Silver

**Contact Features**



RF Connector Center Contact Plating Material	Gold
--	------

RF Connector Center Contact Material	Beryllium Copper
--------------------------------------	------------------

### Termination Features

Termination Method to Wire & Cable	Solder Lug, Turret Pin
------------------------------------	------------------------

### Mechanical Attachment

Panel Mount Feature Type	Jam Nut
--------------------------	---------

RF Connector Coupling Mechanism	Screw
---------------------------------	-------

Connector Mounting Type	Panel Mount
-------------------------	-------------

RF Contact Captivation Method	Screw
-------------------------------	-------

### Dimensions

Panel Thickness (Recommended)	4.06 mm [.16 in]
-------------------------------	------------------

RF Connector Mated Outer Diameter (Approximate)	4.75 mm [.187 in]
---	-------------------

### Usage Conditions

Operating Temperature Range	-55 – 125 °C
-----------------------------	--------------

### Packaging Features

Packaging Method	Package
------------------	---------

### Other

Grade	Commercial
-------	------------

Dielectric Material	PTFE
---------------------	------

### Product Compliance

[For compliance documentation, visit the product page on TE.com>](#)

EU RoHS Directive 2011/65/EU	Compliant
------------------------------	-----------

EU ELV Directive 2000/53/EC	Compliant
-----------------------------	-----------

China RoHS 2 Directive MIIT Order No 32, 2016	No Restricted Materials Above Threshold
---	---

EU REACH Regulation (EC) No. 1907/2006	<p>Current ECHA Candidate List: JUNE 2023 (235)</p> <p>Candidate List Declared Against: JUL 2021 (219)</p> <p>SVHC &gt; Threshold:</p> <p>Pb (.4% in Component part)</p>
--	--

**Article Safe Usage Statements:**

Do not eat, drink or smoke when using this product. Wash thoroughly after handling. Recycle if possible and dispose of the article by following all applicable governmental regulations relevant to your geographic location.

Halogen Content	Low Bromine/Chlorine - Br and Cl < 900 ppm per homogenous material. Also BFR
-----------------	--

/CFR/PVC Free

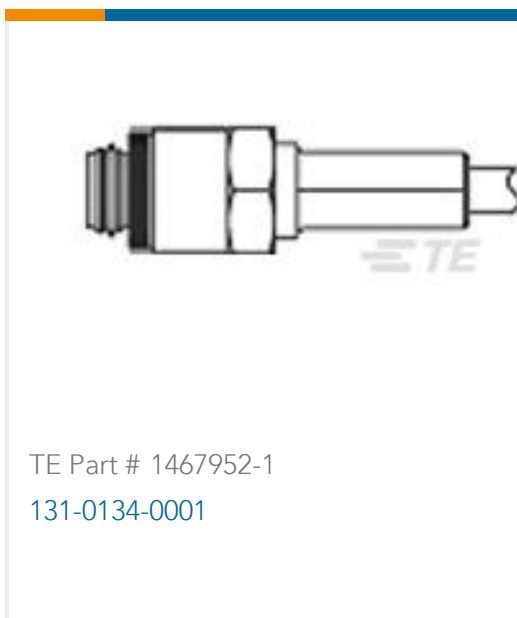
Solder Process Capability

Pin-in-Paste capable to 260°C

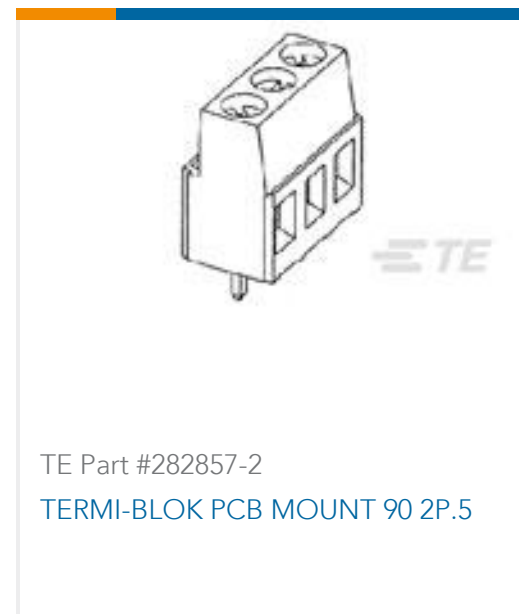
Product Compliance Disclaimer

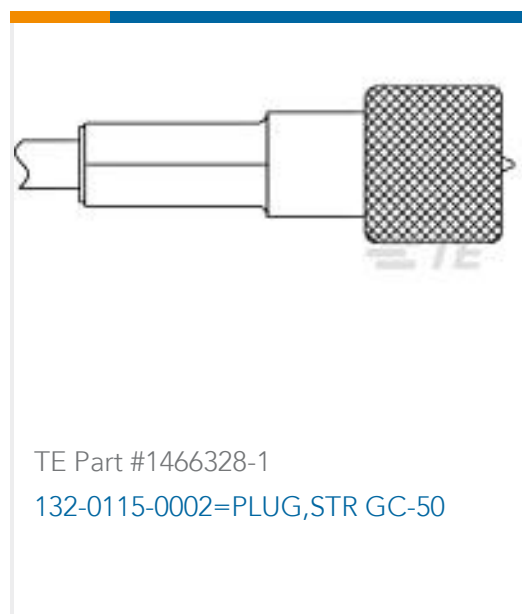
This information is provided based on reasonable inquiry of our suppliers and represents our current actual knowledge based on the information they provided. This information is subject to change. The part numbers that TE has identified as EU RoHS compliant have a maximum concentration of 0.1% by weight in homogenous materials for lead, hexavalent chromium, mercury, PBB, PBDE, DBP, BBP, DEHP, DIBP, and 0.01% for cadmium, or qualify for an exemption to these limits as defined in the Annexes of Directive 2011/65/EU (RoHS2). Finished electrical and electronic equipment products will be CE marked as required by Directive 2011/65/EU. Components may not be CE marked. Additionally, the part numbers that TE has identified as EU ELV compliant have a maximum concentration of 0.1% by weight in homogenous materials for lead, hexavalent chromium, and mercury, and 0.01% for cadmium, or qualify for an exemption to these limits as defined in the Annexes of Directive 2000/53/EC (ELV). Regarding the REACH Regulation, the information TE provides on SVHC in articles for this part number is based on the latest European Chemicals Agency (ECHA) 'Guidance on requirements for substances in articles' posted at this URL: <https://echa.europa.eu/guidance-documents/guidance-on-reach>

### Compatible Parts



### Customers Also Bought





## Documents

### Product Drawings

031-0050-0001

English

### CAD Files

3D PDF

3D

Customer View Model

[ENG\\_CVM\\_CVM\\_1466288-1\\_R.2d\\_dxf.zip](#)

English

Customer View Model

[ENG\\_CVM\\_CVM\\_1466288-1\\_R.3d\\_igs.zip](#)

English

Customer View Model

[ENG\\_CVM\\_CVM\\_1466288-1\\_R.3d\\_stp.zip](#)

English

By downloading the CAD file I accept and agree to the [Terms and Conditions](#) of use.

### Datasheets & Catalog Pages

[Products for Aerospace and Defense](#)

English