

6364372-2 ✓ ACTIVE

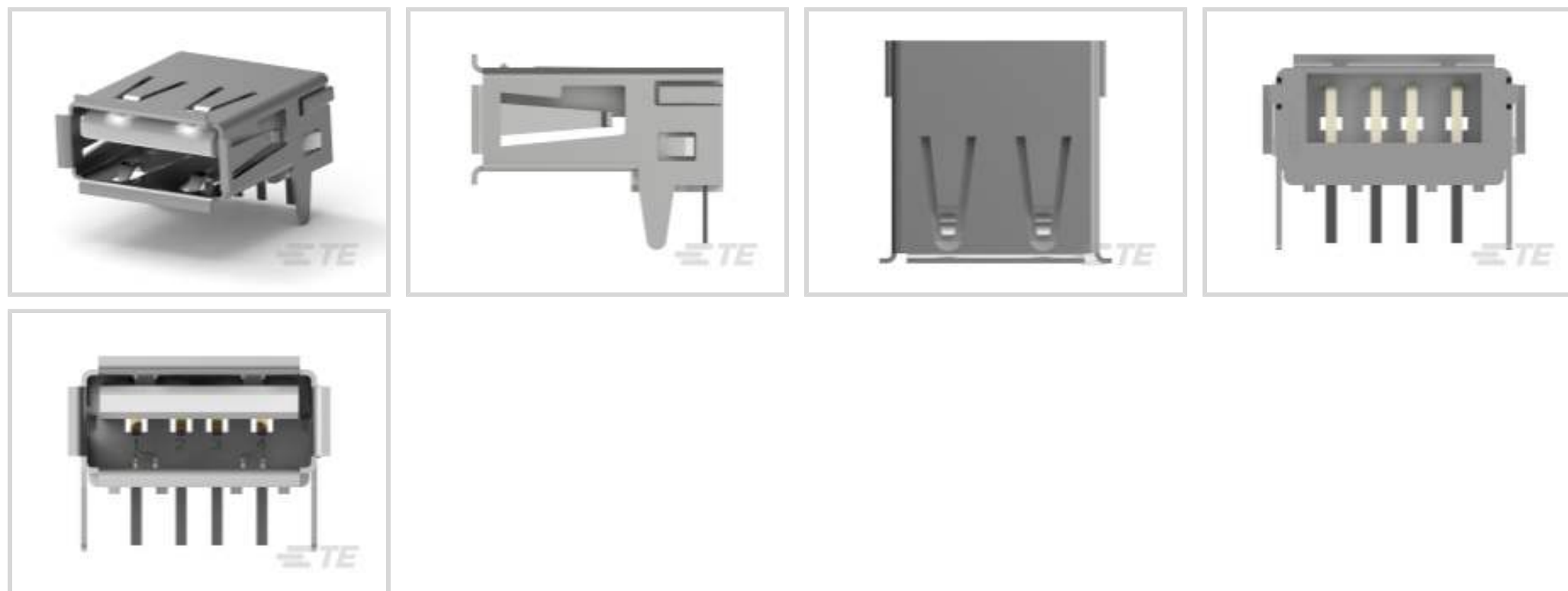
TE Internal #: 6364372-2

USB Connectors, A, 2.0, Standard Profile, Receptacle, 1 Port, Top, Right Angle, Box & Tube / Box, Flush, Through Hole - Solder, Cable-to-Board, Flange

[View on TE.com >](#)



Connectors > Audio & Video Connectors > USB Connectors



USB Adapter Type: **A**

USB Version: **2.0**

Connector Profile: **Standard**

Connector & Housing Type: **Receptacle**

Number of Ports: **1**

## Features

### Product Type Features

USB Adapter Type	A
USB Version	2.0
Connector & Housing Type	Receptacle
Connector System	Cable-to-Board
Connector & Contact Terminates To	Printed Circuit Board
USB Connector Type	USB 2.0 Type-A

### Configuration Features

Number of Mounting Legs	2
Number of Ports	1
Number of Positions	4

### Body Features

Shell Plating Finish	Bright
Shell Plating Material	Tin
Connector Profile	Standard



### Contact Features

Contact Mating Area Plating Material Thickness	.76 µm[29.92 µin]
Contact Mating Area Plating Material	Gold or Gold Flash over Palladium Nickel
Contact Current Rating (Max)	1 A

### Termination Features

Termination Post & Tail Length	2.84 mm[.112 in]
Termination Method to Printed Circuit Board	Through Hole - Solder

### Mechanical Attachment

Locking Feature	With
PCB Mount Location	Top
PCB Connector Seating	Flush
PCB Mount Retention Type	Straight Leg
Panel Mount Feature Type	Flange
Connector Mounting Type	Board Mount

### Housing Features

Housing Material	Thermoplastic
Housing Color	Natural
Body Orientation	Right Angle
Centerline (Pitch)	2 mm, 2.5 mm[.078 in][.098 in]

### Dimensions

PCB Thickness (Recommended)	1.57 mm[.062 in]
-----------------------------	------------------

### Usage Conditions

Soldering Temperature (Max)	260 °C[500 °F]
Mating Cycles (Max)	1500
Operating Temperature Range	-55 – 85 °C[-67 – 185 °F]

### Operation/Application

Halogen Free	No
Circuit Application	Power & Signal

### Industry Standards

Test Identification (TID)	60000279
Moisture Sensitivity Level	1
Industry Standard	USB 2.0



UL Flammability Rating

UL 94V-0

**Packaging Features**

Packaging Quantity

1920

Packaging Method

Box, Box & Tube

**Product Compliance**

[For compliance documentation, visit the product page on TE.com>](#)

EU RoHS Directive 2011/65/EU

Compliant

EU ELV Directive 2000/53/EC

Compliant

China RoHS 2 Directive MIIT Order No 32, 2016

No Restricted Materials Above Threshold

EU REACH Regulation (EC) No. 1907/2006

Current ECHA Candidate List: JUNE 2023 (235)  
Candidate List Declared Against: JAN 2023 (233)  
Does not contain REACH SVHC

Halogen Content

Low Halogen - Br, Cl, F, I < 900 ppm per homogenous material. Also BFR/CFR/PVC Free

Solder Process Capability

Reflow solder capable to 260°C

Product Compliance Disclaimer

This information is provided based on reasonable inquiry of our suppliers and represents our current actual knowledge based on the information they provided. This information is subject to change. The part numbers that TE has identified as EU RoHS compliant have a maximum concentration of 0.1% by weight in homogenous materials for lead, hexavalent chromium, mercury, PBB, PBDE, DBP, BBP, DEHP, DIBP, and 0.01% for cadmium, or qualify for an exemption to these limits as defined in the Annexes of Directive 2011/65/EU (RoHS2). Finished electrical and electronic equipment products will be CE marked as required by Directive 2011/65/EU. Components may not be CE marked. Additionally, the part numbers that TE has identified as EU ELV compliant have a maximum concentration of 0.1% by weight in homogenous materials for lead, hexavalent chromium, and mercury, and 0.01% for cadmium, or qualify for an exemption to these limits as defined in the Annexes of Directive 2000/53/EC (ELV). Regarding the REACH Regulation, the information TE provides on SVHC in articles for this part number is based on the latest European Chemicals Agency (ECHA) 'Guidance on requirements for substances in articles' posted at this URL: <https://echa.europa.eu/guidance-documents/guidance-on-reach>

**Compatible Parts**



TE Part # 1827525-1  
MECHATROLINK II CONNECTOR KIT



TE Part # 1-1734028-1  
Std USB, Type A, Plug, Natural



TE Part # 1487599-1  
USB, A-BLUNT, 28/28, BLK, 0.83M



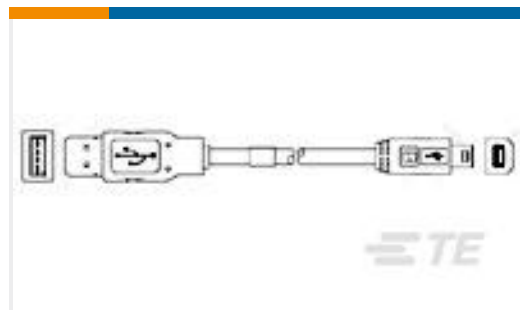
TE Part # 1734028-1  
Std USB Type A, Plug, Natural



TE Part # 1487593-1  
USB, A-BLUNT,28/24,WHT,2.0M



TE Part # 1-1734028-3  
Std USB, Type A, Plug



TE Part # 1496476-1  
STD USB-A TO MINI-B ASSY, 1M



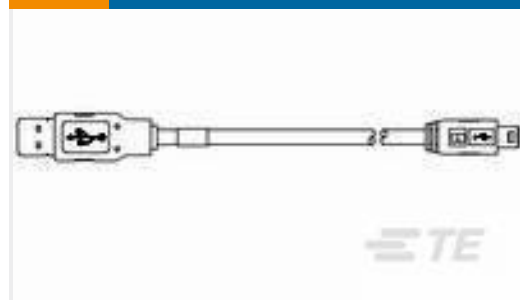
TE Part # 1487600-1  
USB, A-BLUNT,28/26,BLK,1.0M



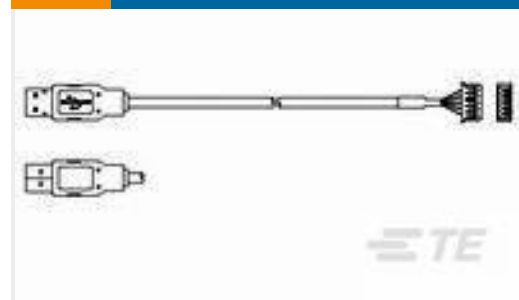
TE Part # 1487591-1  
USB, A-BLUNT,28/28,WHT,0.83M



TE Part # 1487593-2  
USB, A-BLUNT,28/24,WHT,1.5M



TE Part # 1929690-1  
USB CABLE, USB A to Mini USB,Blue



TE Part # 2142872-1  
cable assy, usb a plug to 5p hsg

### Customers Also Bought



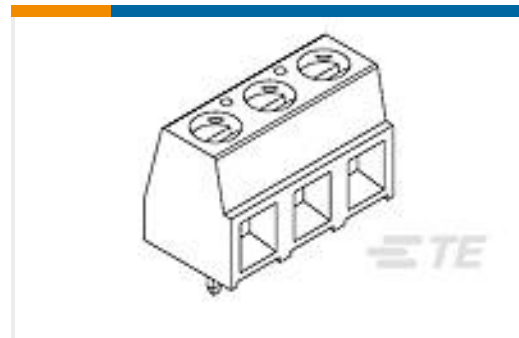
TE Part #T4052118004-005  
RPC-M8-4MS-5.0-M12-4FR-PVC



TE Part #87227-5  
10 MODII HDR DRST UNSHRD .100



TE Part #1-87227-0  
20 MODII HDR DRST UNSHRD .100



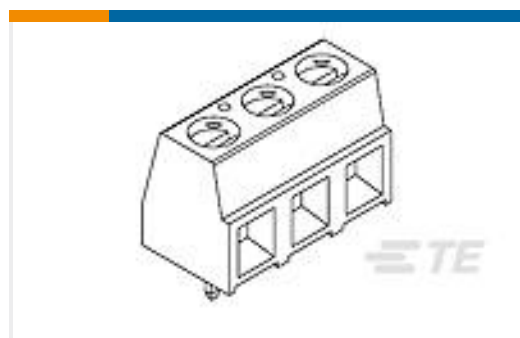
TE Part #1776119-3  
3P TERMI-BLOK,PCB,HIGH TEMP



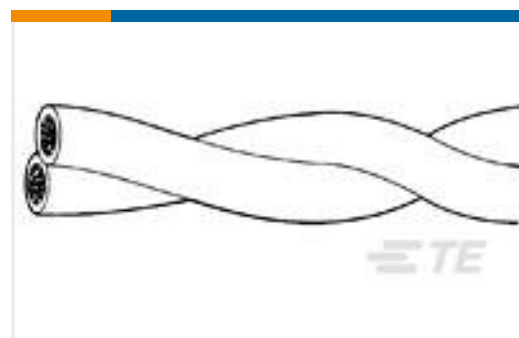
TE Part #1-1879208-2  
CPF 0402 30R 0.1% 25PPM 1K RL



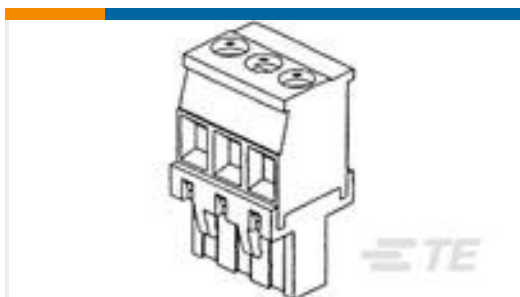
TE Part #1-1879215-1  
CPF 0402 5K11 0.1% 25PPM 1K RL



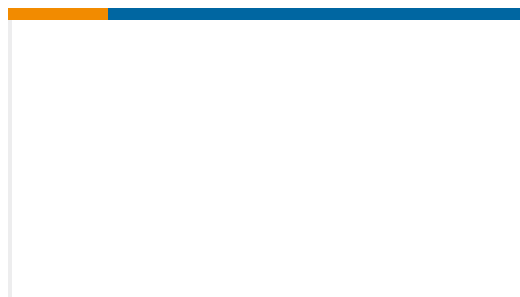
TE Part #1776119-4  
4P TERMI-BLOK,PCB,HIGH TEMP



TE Part #645771-000  
55PC0224-24-2/6CS2502



TE Part #1546122-2  
EUROSTYLE 2 POS VERT PLUG STCK



TE Part #2063291-2  
DIE GEN Y

### Documents



### Product Drawings

#### Std USB Type A, R/A, T/H, Natural

English

---

### CAD Files

#### 3D PDF

3D

#### Customer View Model

[ENG\\_CVM\\_CVM\\_6364372-2\\_O.2d\\_dxf.zip](#)

English

#### Customer View Model

[ENG\\_CVM\\_CVM\\_6364372-2\\_O.3d\\_igs.zip](#)

English

#### Customer View Model

[ENG\\_CVM\\_CVM\\_6364372-2\\_O.3d\\_stp.zip](#)

English

By downloading the CAD file I accept and agree to the [Terms and Conditions](#) of use.

---

### Product Specifications

#### Application Specification

English

---

### Product Environmental Compliance

#### TE Material Declaration

English

---

### Agency Approvals

#### UL Report

English