

MATERIALS AND FINISHES

BODY ZINC ALLOY
PLATED SEE TABLE

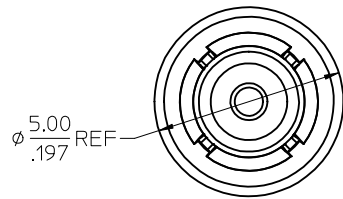
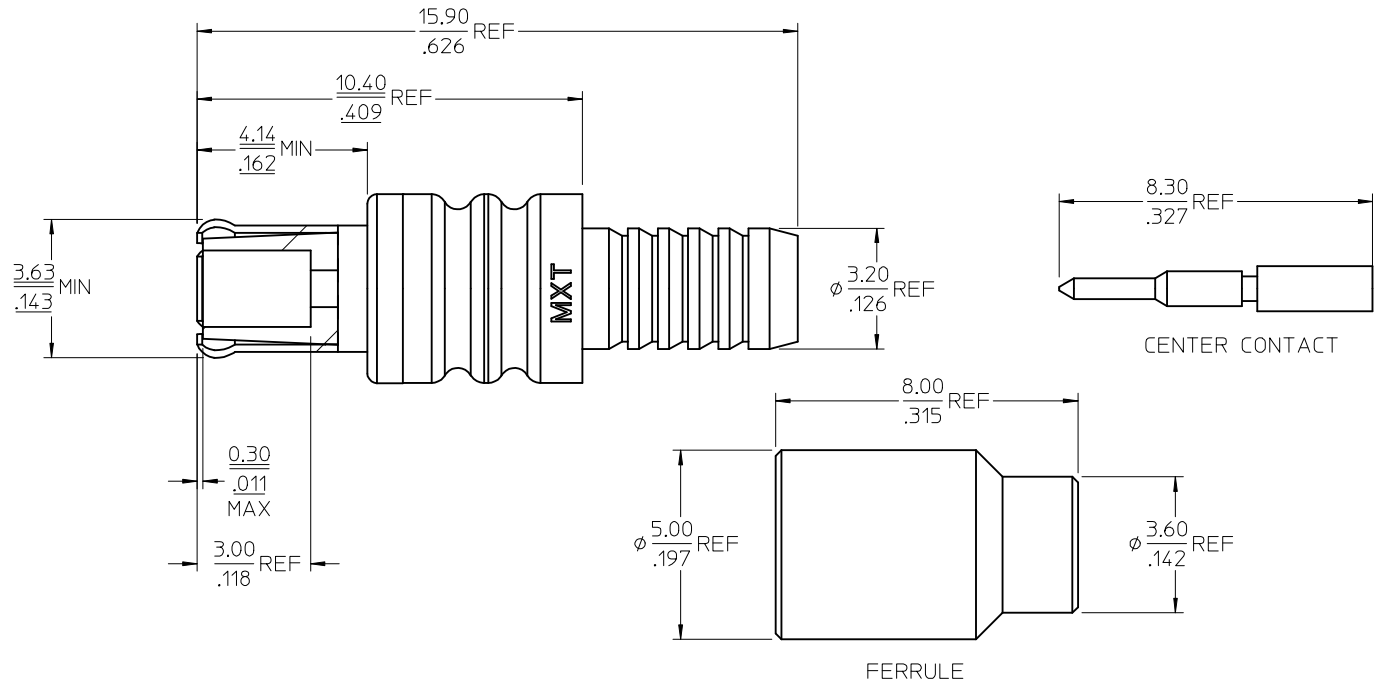
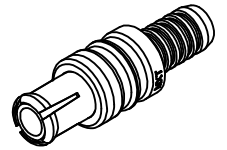
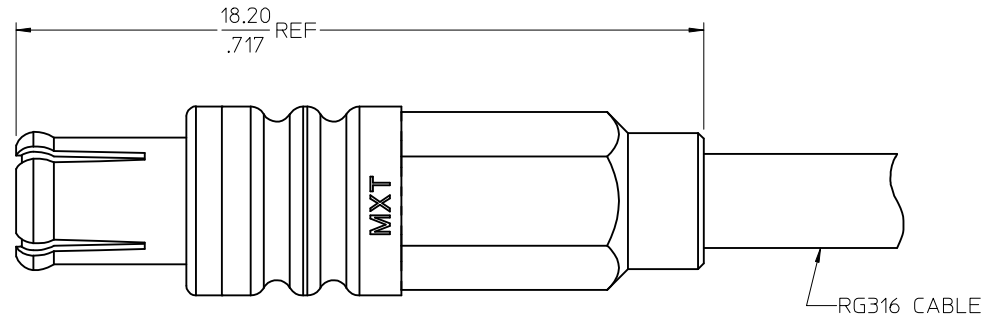
OUTER CONTACT BERYLLIUM COPPER
PLATED GOLD (10 MICROINCHES MIN)

CENTER CONTACT BRASS
PLATED GOLD (10 MICROINCHES MIN)

INSULATOR TEFLON

FERRULE BRASS
PLATED SEE TABLE

PART # SEE TABLE



73366-0301	GOLD (1 MICROINCHES MIN)
73366-0300	NICKEL (70 MICROINCHES MIN)
PART NO.	PLATING

AS-73392-0060	CABLE ASSEMBLY INSTR.
SPECIFICATION	DESCRIPTION

- UNLESS OTHERWISE SPECIFIED DIMS ARE MILLIMETERS AND ANGLES ARE DEGREES.
- ALL OVER.
 - NO CHATTER OR NON-UNIFORM SURFACE FINISH ALLOWED.
 - PARTS TO BE FREE OF BURRS & SHARP EDGES 0.13(.005) MAX BREAK.
 - EXTERNAL THREADS TO BE ROLLED OR SINGLE POINT.
 - DIAMETERS TO BE CONCENTRIC WITHIN 0.08(.003) TIR.

CHG: LOADED INTO WORKMANAGER
REDREW IN SD
CHANGED ALL DIMS FROM IN/MM TO MM/IN
ADDED CABLED AND ISO VIEWS
ADDED PLATING THICKNESSES
REMOVED SHEET 2
ADDED PLATING TABLE
ADDED AS-73392-0060

EC NO: URF2005-0227
DRWIN:FLAHERT 2004/12/02
CHKD:SSHAH 2004/12/02
APPR:WIENER 2004/12/02

QUALITY SYMBOLS
=0
=0

GENERAL TOLERANCES (UNLESS SPECIFIED)

	mm	INCH
4 PLACES	± .005	± .0004
3 PLACES	± .003	± .0003
2 PLACES	± .002	± .0002
1 PLACE	± .001	± .0001

ANGULAR ± 2 °

DRAFT WHERE APPLICABLE MUST REMAIN WITHIN DIMENSIONS

DIMENSION STYLE: MM/IN

DRAWN BY: CLAIRE DATE: 2001/04/02

CHECKED BY: DATE:

APPROVED BY: DATE:

MATERIAL NO. SEE TABLE

SIZE: C

SCALE: DESIGN UNITS: METRIC

THIRD ANGLE PROJECTION

TITLE: MCX PLUG, STR, FOR RG316 50 OHMS, CRIMP/CRIMP EWR-2672 MCX-PC

MOLEX MOLEX INCORPORATED

DOCUMENT NO. SD-73366-030

SHEET NO. 1 OF 1

THIS DRAWING CONTAINS INFORMATION THAT IS PROPRIETARY TO MOLEX INCORPORATED AND SHOULD NOT BE USED WITHOUT WRITTEN PERMISSION