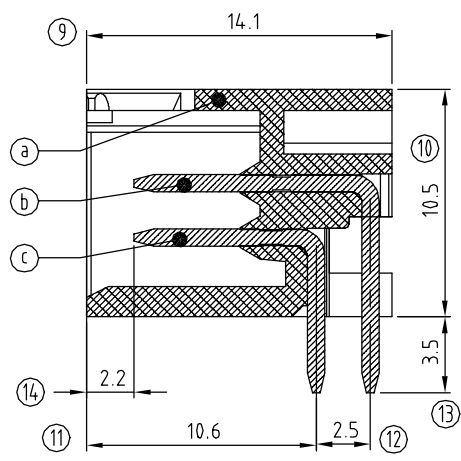
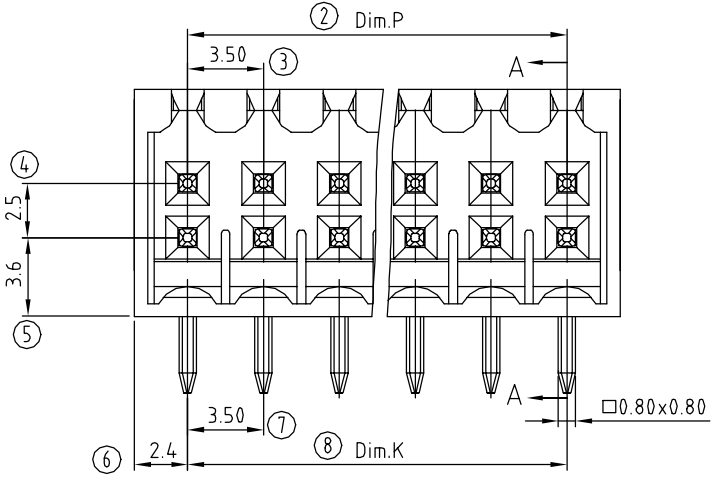
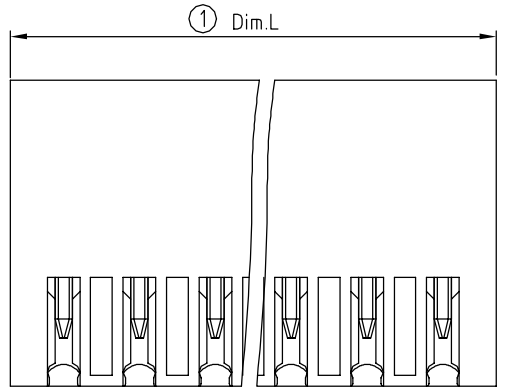


SIGN	DATE	DESCRIPTION	APPROVER
△	04/25'11	Material is changed	Chen Bo
THIS IS CAD DRAWING, DO NOT REVISE MANUALLY!!!			



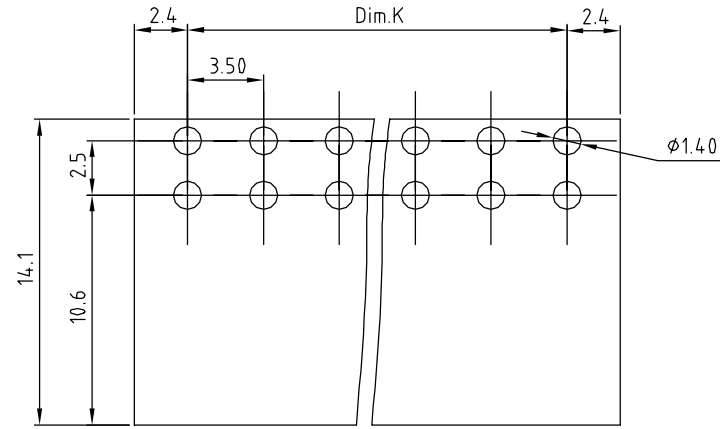
- Material:
- Item ② Terminal housing: PA66 (UL94V-0)
 - Item ⑥ Male contact long pin: Brass, Tin plated
 - Item ⑦ Male contact short pin: Brass, Tin plated

- Electrical: cULus
- Voltage rating: 150V
 - Current rating: 7 A
 - Withstanding Voltage: 1.3KV
 - Operating temperature: -40°C to +115°C
 - Soldering temperature: 250°C±10°C/5 Sec
 - Safety Approval:



VXxx11x1xxxxG

- NO of pole
- 04 2x2 CONTACTS
 - 06 3x2 CONTACTS
 -
 - 48 24x2 CONTACTS
- Color:
- 0 Black
 - 3 Orange
 - 5 Green
 - 6 Blue
 - 8 Grey
- RoHS: Pb<40,000ppm
- 0000 Standard @ Logo
000A Standard ANY Logo
Any special item by customer request, please contact sales department.



$$\begin{aligned} \text{Dim.L} &= (N/2-1) \times 3.5 + 4.9 \\ \text{Dim.P} &= (N/2-1) \times 3.5 \\ \text{Dim.K} &= (N/2-1) \times 3.5 \end{aligned}$$

N=Number of poles

POLES	Dim.	
	Tol	
2x2p-2x6p	±0.15	±0.10
2x7p-2x12p	±0.25	±0.20
2x13p-2x18p	±0.35	±0.30
2x19p-2x24p	±0.40	±0.35

ANYTEK

INSPECTION COPY

ALL RIGHTS RESERVED. REPRODUCTION OR ISSUE TO THIRD PARTIES IN ANY FORM WHATSOEVER IS NOT PERMITTED WITHOUT WRITTEN AUTHORITY FROM THE PROPRIETOR. PROPERTY OF ANYTEK TECHNOLOGY CO., LTD

TITLE	VX 3.5mm Series Close type Right-angle				DWG NO.	8VX002	
PART NO.	VXxx11x1xxxxG			CUST NO.			
APPROVED	CHECKED	DESIGNED	DRAWN				
		Runner 2011.04.25	Chen Bo 2011.04.25				
				SHEET: 01/01	UNIT: mm	Tolerance	
				SCALE: NONE	X.	±0.50	
				REV.: C	X.X	±0.30	
					X.XX	±0.10	
					X°	±1°	