

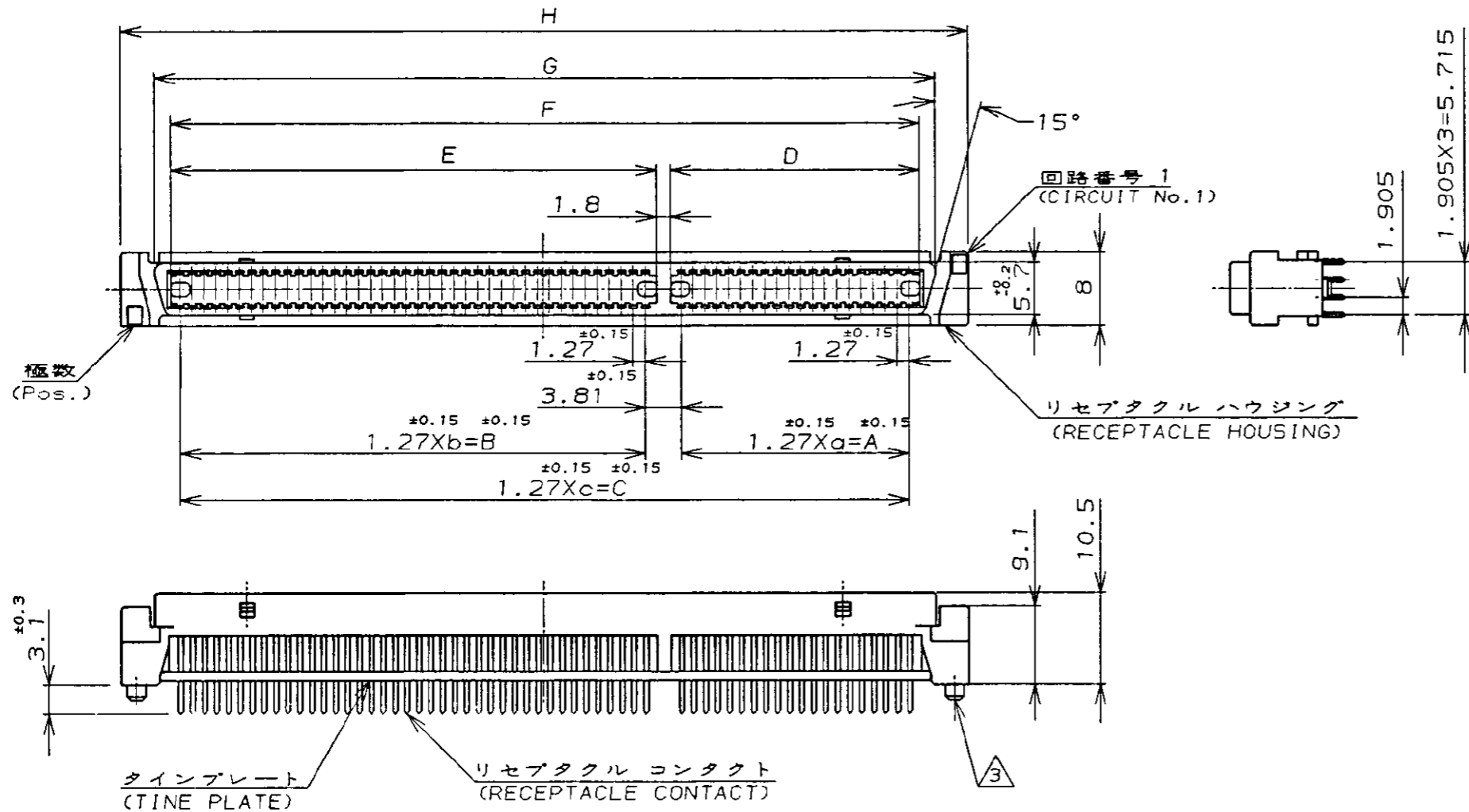
NUMBER C-5176373

3rd ANGLE PROJECTION

METRIC

DIMENSIONS IN MILLIMETERS. DO NOT SCALE PRINT

PRINT DIST



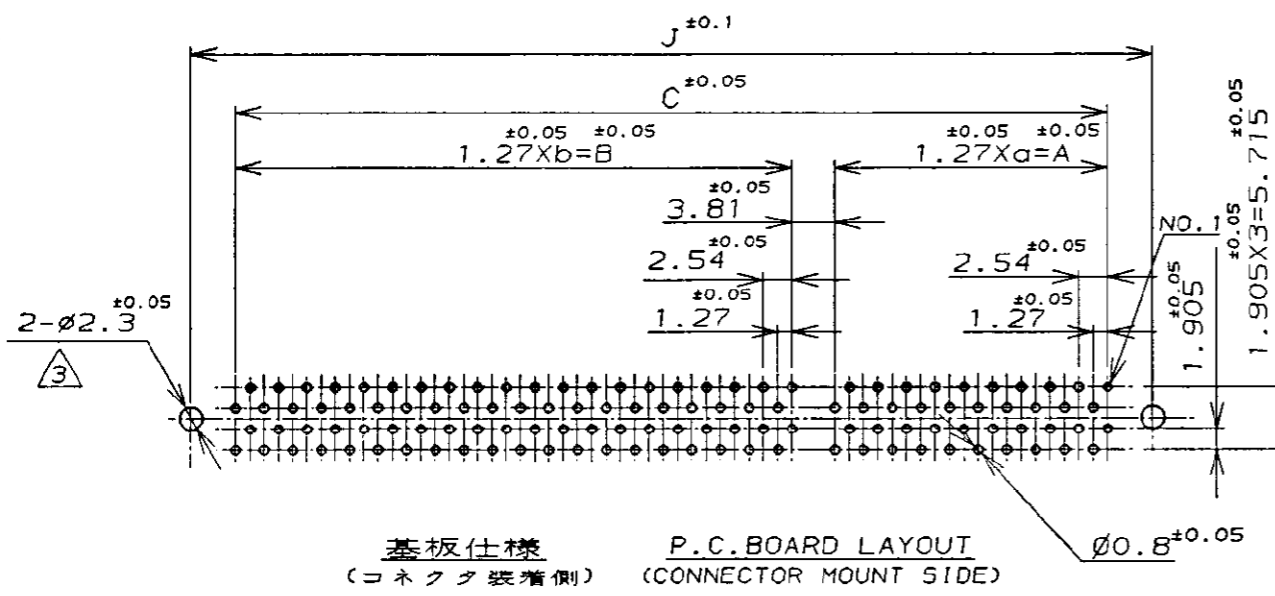
NOTE:

- ① MATERIAL:HOUSING, TINE PLATE:THERMOPLASTICS (UL 94V-0) BLACK
CONTACT:COPPER ALLOY
RETENTION LEG:COPPER ALLOY
- ② FINISH:CONTACT:Au AT CONTACT AREA
TIN AT TINE, OVER Ni
RETENTION LEG:TIN, OVER Ni
- ③ BOSS FOR POSITIONING:P/N -1,-2,-3,-4
- ④ OBSOLETE

注記:

- ① 材料:ハウジング、タインプレート:熱可塑性樹脂 (UL 94V-0) 色:黒
コンタクト:銅合金
リテンションレグ:銅合金
- ② 表面仕上げ:
コンタクト:全面ニッケル下地めっき
接触部金めっき、脚部すずめっき
リテンションレグ:ニッケル下地めっきにすずめっき
- ③ ボスは型番 -1,-2,-3,-4 のみ

鉛フリー
LEAD FREE



0.76μm	100	—	—	—	—	49	62.23	—	—	64.23	67.32	74.85	72.2	2-	↑	-4
	180	39	49.53	49	62.23	—	115.57	51.53	64.23	117.57	120.66	128.19	125.54	④	④	—8
	160	29	36.83	49	62.23	—	102.87	38.83	64.23	104.87	107.96	115.49	112.84	④	④	—7
	140	29	36.83	39	49.53	—	90.17	38.83	51.53	92.17	95.26	102.79	100.14	④	④	—6
	120	19	24.13	39	49.53	—	77.47	26.13	51.53	79.47	82.56	90.09	87.44	④	④	—5
0.3μm	100	—	—	—	—	49	62.23	—	—	64.23	67.32	74.85	72.2			-4
	80	—	—	—	—	39	49.53	—	—	51.53	54.62	62.15	59.5	④	④	—3
	60	—	—	—	—	29	36.83	—	—	38.83	41.92	49.45	46.8			-2
	40	—	—	—	—	19	24.13	—	—	26.13	29.22	36.75	34.1	④	④	—1
THK OF GOLD	Pos.	a	A	b	B	c	C	D	E	F	G	H	J			P/N

				TE TE Connectivity				
WIRE RANGE		INSULATION DIA		NAME				
mm ² (AWG -)		mmφ		AMP FH CONNECTOR RECEPTACLE (VERTICAL) FOR 13mm STACKING				
MATERIAL		FINISH		GENERAL TOLERANCE		SIZE	LOC	NUMBER
①		①		0<w<10 : ±0.2 10<w<30 : ±0.25 30<w<100 : ±0.3 ANGLES : ±3°		A3	J	C-5176373
DE. T.KAWAMAE 09JUN04		APP. IENOMOTO 09JUN04		SCALE		REV.	SHEET	
CHK. IENOMOTO 09JUN04		APP. IENOMOTO 09JUN04		NTS		A	1 OF 1	

CUSTOMER DRAWING