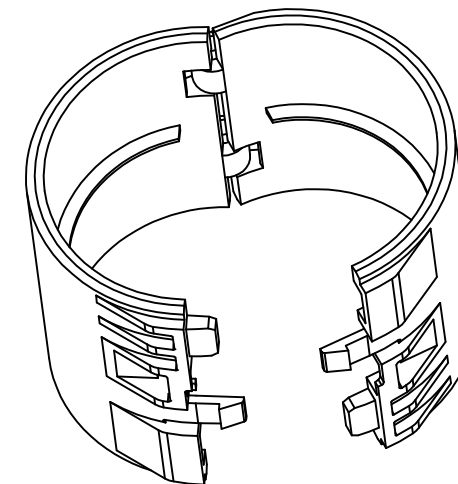
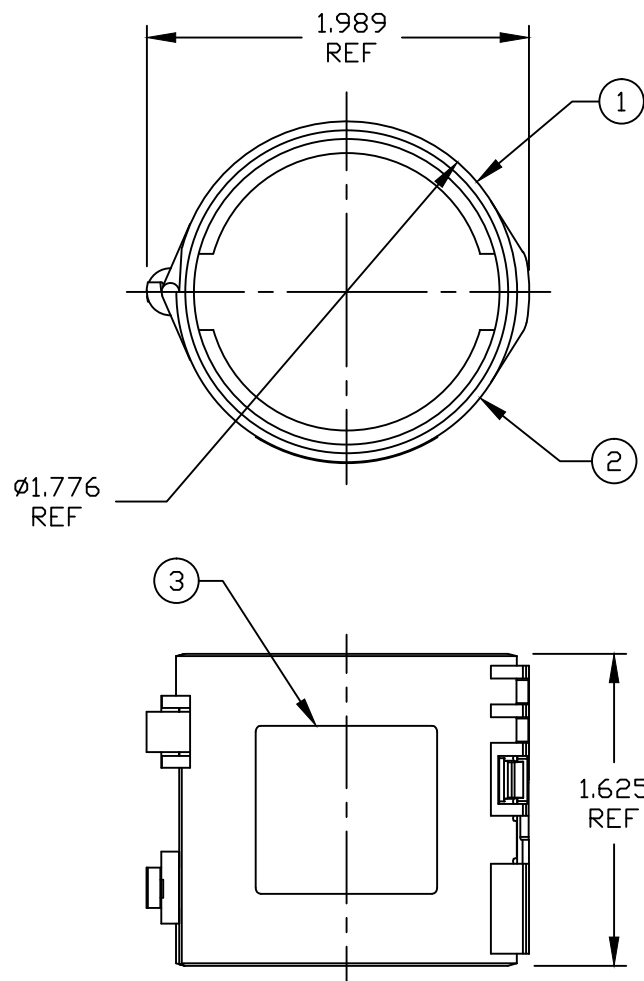


PART NUMBER	ENGINEERING NUMBER
1300700020	66200A-10

*

* THIS PART NUMBER REPRESENTS A BAG OF 10



NOTE:

- SPECIFICATIONS:
QC LOCKING CLIPS
TEMPERATURE RANGE: -20°C TO 90°C
- PACKAGING:
ASSEMBLIES ARE BAGGED 10 PER POLY BAGS WITH BAR CODE LABEL ATTACHED TO THE OUTSIDE OF THE BAG.
- ASSEMBLY IS RoHS COMPLIANT

ITEM	QTY	DESCRIPTION	MATERIAL	FINISH
3	1	WARNING LABEL	POLYESTER	BLACK/YELLOW
2	1	QC LOCKING CLIP BOTTOM	ABS/PC	BLACK
1	1	QC LOCKING CLIP TOP	ABS/PC	BLACK

ADD QTY NOTE EC NO: WNA2011-0144 DRWN: VOU CHKD: TWOLDEGE 2010/09/10 APPR: JFMURPHY 2010/01/20	DESCRIPTION REV	QUALITY SYMBOLS	GENERAL TOLERANCES (UNLESS SPECIFIED)		DIMENSION STYLE		SCALE	DESIGN UNITS	THIRD ANGLE PROJECTION	
		$\nabla=0$ $\sphericalangle=0$	mm	INCH	--	1:1	INCH			
		4 PLACES	±---	±---	DRAWN BY	DATE	TITLE BRAD POWER QC LOCKING CLIP			
		3 PLACES	±---	±.005	KJOZWIK	2010/01/18				
2 PLACES	±0.13	±.010	CHECKED BY	DATE	MOLEX INCORPORATED					
1 PLACE	±0.25	±.020	BWOODMAN	2010/01/18						
ANGULAR ±1/2°			APPROVED BY	DATE	MATERIAL NO.		DOCUMENT NO.		SHEET NO.	
DRAFT WHERE APPLICABLE MUST REMAIN WITHIN DIMENSIONS			JFMURPHY	2010/01/20	SEE TABLE		SD-130070-003		1 OF 1	
			SIZE		THIS DRAWING CONTAINS INFORMATION THAT IS PROPRIETARY TO MOLEX INCORPORATED AND SHOULD NOT BE USED WITHOUT WRITTEN PERMISSION					
			B							