

1

2

3

4

5

6

7

A

B

C

D

E

F

A

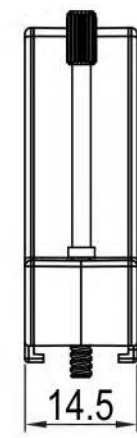
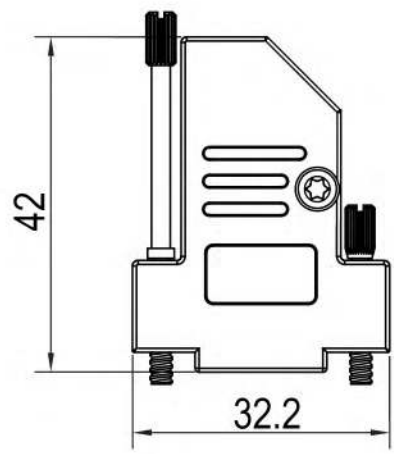
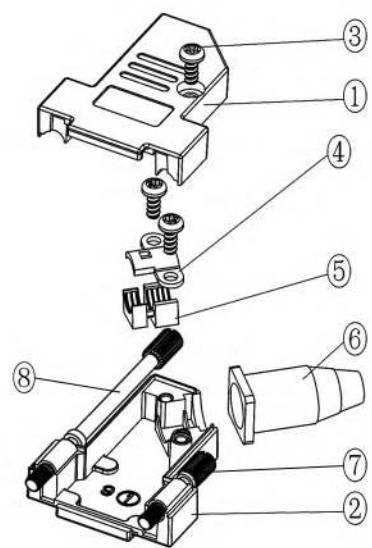
B

C

D

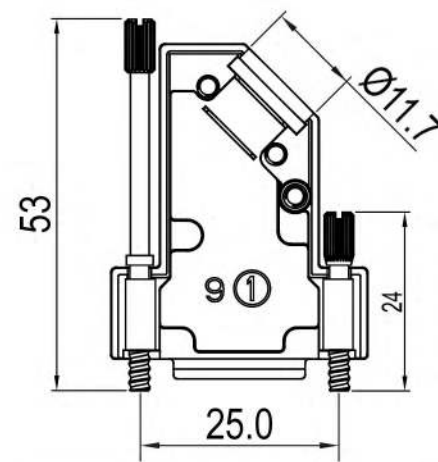
E

F



TECHNICAL SPECIFICATIONS

Material: Zinc
 Plating: Nickel
 Operating Temperature: -25°C to +90°C
 Thumbscrews: UNC4-40
 No. of contacts: 09-15-25-37



Item	QTY	Part description
1	1	Upper Cover
2	1	Lower Cover
3	3	TX M2.5x6 Screw
4	1	Cable Clamp
5	1	Plastic Insert
6	1	Rubber Grommet
7	1	Thumbscrew UNC4-40x24
8	1	Thumbscrew UNC4-40x53

RoHS compliant
Unit: mm

Scale	Free				Date	Name	Customer-No.	
TOLERANCE					Drawn	17.08.2017	S.Bölling	
0~6	±0.10				Approved	17.08.2017	S.Bölling	
6~30	±0.20							
30~120	±0.30							
120~400	±0.50							
DIM	Tol							
Angle	±1°	Ⓞ	Drawn	17.08.2017				S.Bölling
Angle	Tol	Id.	Modification	Date				Name

Customer-No.
 ASSMANN WSW-No.
ACOV-SUB-09MB37

Drawing-No.
ASS_5278_CO rev00
 Replace
 Sheet 1/4

1

2

3

4

5

6

7

SV4382

G

G

H

H

1

2

3

4

5

6

7

A

B

C

D

E

F

A

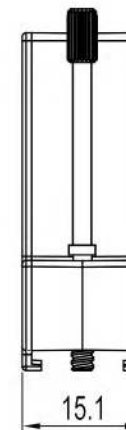
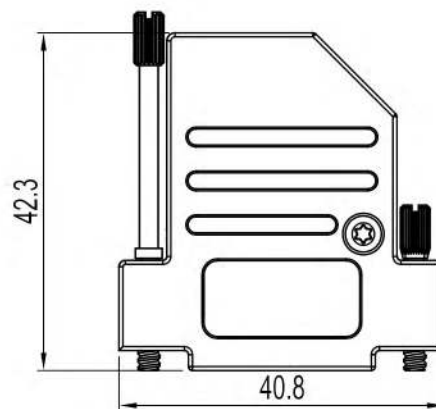
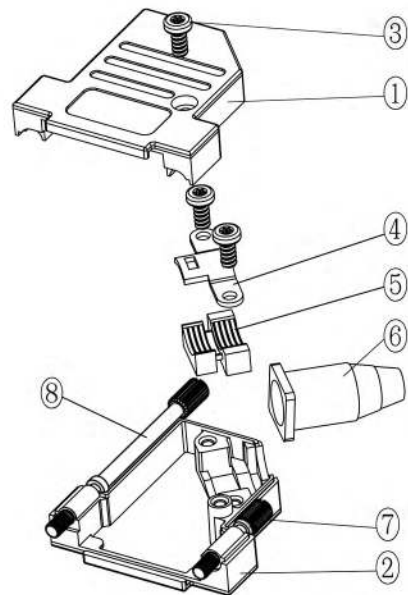
B

C

D

E

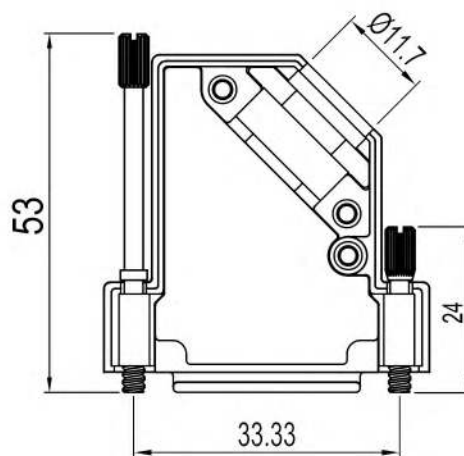
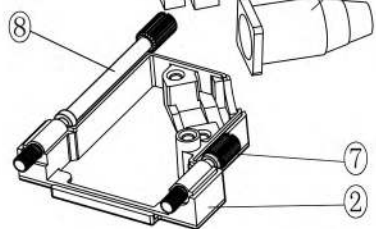
F



TECHNICAL SPECIFICATIONS

Material: Zinc
 Plating: Nickel
 Operating Temperature: -25°C to +90°C
 Thumbscrews: UNC4-40

No. of contacts: 09-15-25-37



Item	QTY	Part description
1	1	Upper Cover
2	1	Lower Cover
3	3	TX M2.5x6 Screw
4	1	Cable Clamp
5	1	Plastic Insert
6	1	Rubber Grommet
7	1	Thumbscrew UNC4-40x24
8	1	Thumbscrew UNC4-40x53

RoHS compliant
 Unit: mm

Scale	Free				Date	Name	Customer-No.
TOLERANCE					Drawn	17.08.2017	S.Bölling
0~6	±0.10				Approved	17.08.2017	S.Bölling
6~30	±0.20						
30~120	±0.30						
120~400	±0.50						
DIM	Tol						
Angle	±1°	Ⓢ	Drawn	17.08.2017	S.Bölling		
Angle	Tol	Id.	Modification	Date	Name		

ASSMANN
 WSW components

ASSMANN WSW-No.
ACOV-SUB-15MB37

Drawing-No.
ASS_5278_CO rev00

Replace Sheet 2/4

1

2

3

4

5

6

7

SV4382

1

2

3

4

5

6

7

A

A

B

B

C

C

D

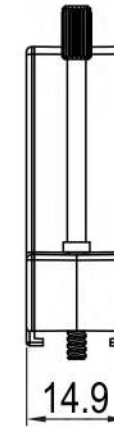
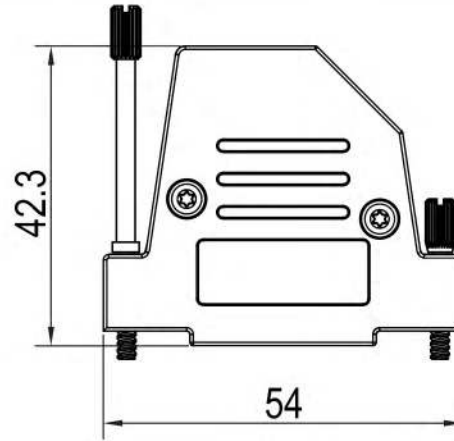
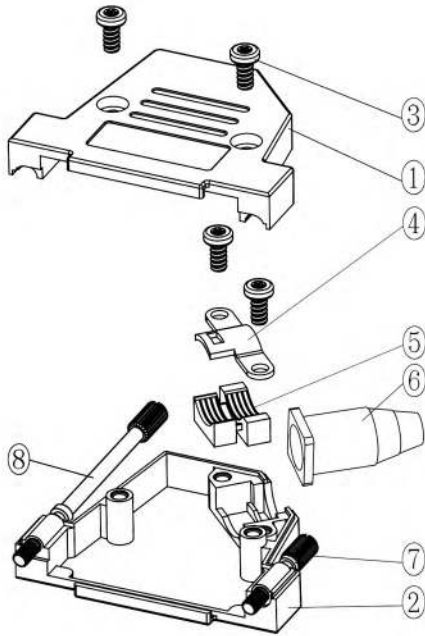
D

E

E

F

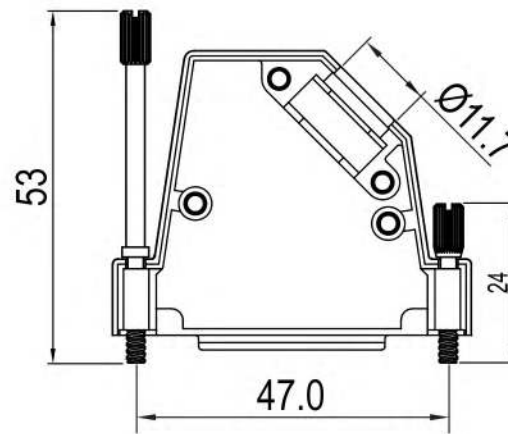
F



TECHNICAL SPECIFICATIONS

Material: Zinc
 Plating: Nickel
 Operating Temperature: -25°C to +90°C
 Thumbscrews: UNC4-40

No. of contacts: 09-15-25-37



Item	QTY	Part description
1	1	Upper Cover
2	1	Lower Cover
3	4	TX M2.5x6 Screw
4	1	Cable Clamp
5	1	Plastic Insert
6	1	Rubber Grommet
7	1	Thumbscrew UNC4-40x24
8	1	Thumbscrew UNC4-40x53

RoHS compliant
 Unit: mm

Scale	Free					Date	Name	Customer-No.
TOLERANCE						Drawn	17.08.2017	S.Bölling
0~6	±0.10					Approved	17.08.2017	S.Bölling
6~30	±0.20							
30~120	±0.30							
120~400	±0.50							
DIM	Tol							
Angle	±1°	Ⓢ	Drawn	17.08.2017	S.Bölling			
Angle	Tol	Id.	Modification	Date	Name			

Customer-No.

Drawn

Date

Name

ASSMANN WSW-No.

ACOV-SUB-25MB37

Drawing-No.

ASS_5278_CO

rev00

Replace

Sheet 3/4

1

2

3

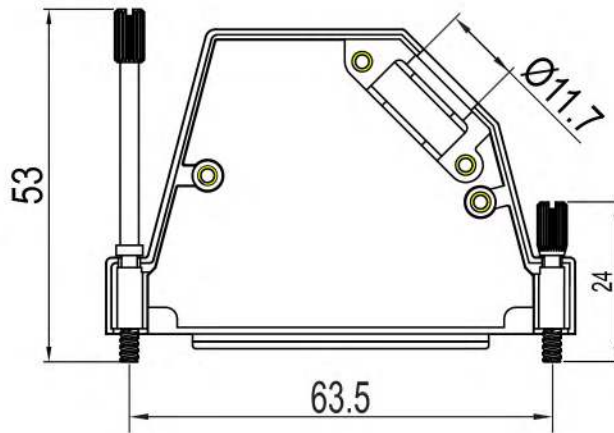
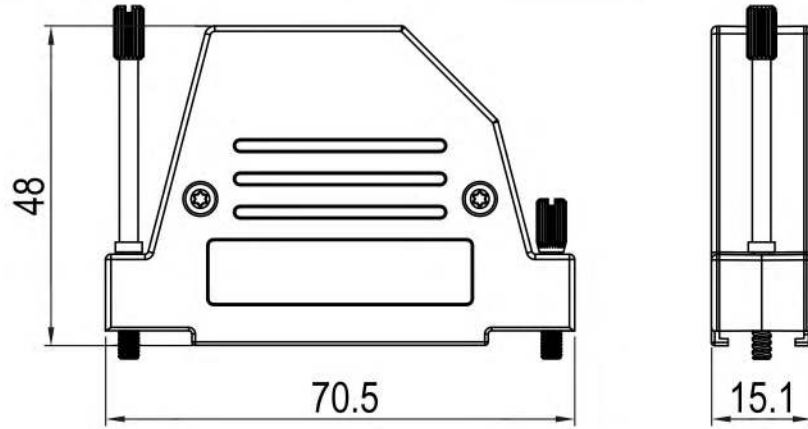
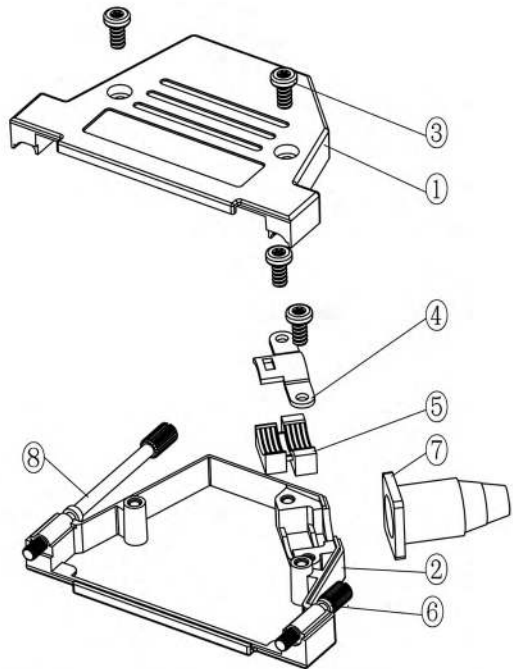
4

5

6

7

SV4382



TECHNICAL SPECIFICATIONS

Material: Zinc
 Plating: Nickel
 Operating Temperature: -25°C to +90°C
 Thumbscrews: UNC 4-40

 No. of contacts: 09-15-25-37

Item	QTY	Part description
1	1	Upper Cover
2	1	Lower Cover
3	4	TX M2.5x6 Screw
4	1	Cable Clamp
5	1	Plastic Insert
6	1	Thumbscrew UNC4-40x24
7	1	Rubber Grommet
8	1	Thumbscrew UNC4-40x53

RoHS compliant
 Unit: mm

Scale	Free				Date	Name	Customer-No.	
TOLERANCE					Drawn	17.08.2017	S.Bölling	
0~6	±0.10				Approved	17.08.2017	S.Bölling	
6~30	±0.20							
30~120	±0.30							
120~400	±0.50							
DIM	Tol							
Angle	±1°	Ⓢ	Drawn	17.08.2017				S.Bölling
Angle	Tol	Id.	Modification	Date				Name

Customer-No.
 ASSMANN WSW-No.
ACOV-SUB-37MB37

Drawing-No.
ASS_5278_CO rev00
 Replace Sheet 4/4