


## IC-DFR 12

Order No.: 1852121



<http://eshop.phoenixcontact.de/phoenix/treeViewClick.do?UID=1852121>

accessories, Number of positions: 12, Pitch: 5.08 mm, Color: green,  
This assembly frame can only be used in combination with IC 2,5/...-  
STGF-5,08

Commercial data	
GTIN (EAN)	 4 017918 109004
sales group	E190
Pack	50 pcs.
Customs tariff	39269097
Catalog page information	Page 282 (CC-2009)

### Product notes

WEEE/RoHS-compliant since:  
01/01/2003



<http://www.download.phoenixcontact.com>  
Please note that the data given here has been taken from the online catalog. For comprehensive information and data, please refer to the user documentation. The General Terms and Conditions of Use apply to Internet downloads.

Technical data	
<b>Dimensions / positions</b>	
Pitch	5.08 mm
Dimension a	55.88 mm
Number of positions	12

**Technical data**

Range of articles	IC-DFR
Insulating material group	I
Insulating material	PA
Inflammability class acc. to UL 94	V0

**Accessories**

Item	Designation	Description
------	-------------	-------------

**Assembly**

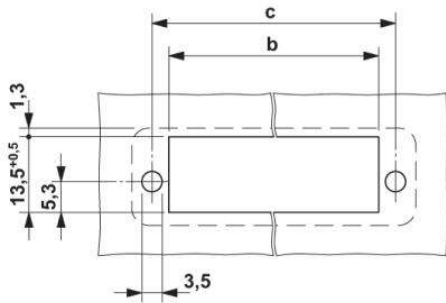
0708263	DFK-MSTB-SS	Screw set, for securing the header to the device wall, consists of an M3 x 10 screw, with a spring washer and a nut
---------	-------------	---

**General**

1825501	IC 2,5/ 2-STGF-5,08	Plug component, Nominal current: 12 A, Rated voltage (III/2): 400 V, Number of positions: 2, Pitch: 5.08 mm, Color: green, Metal surface: Sn
---------	---------------------	--

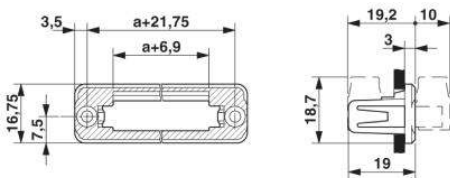
**Diagrams/Drawings**

Drilling plan/solder pad geometry



Dimension b = 10.84 mm + (no. of pos. x 5.08 mm)  
 Dimension c = Dim. b + 5.83 mm

Dimensioned drawing



**Address**

PHOENIX CONTACT Inc., USA  
586 Fulling Mill Road  
Middletown, PA 17057, USA  
Phone (800) 888-7388  
Fax (717) 944-1625  
<http://www.phoenixcon.com>



© 2011 Phoenix Contact  
Technical modifications reserved;