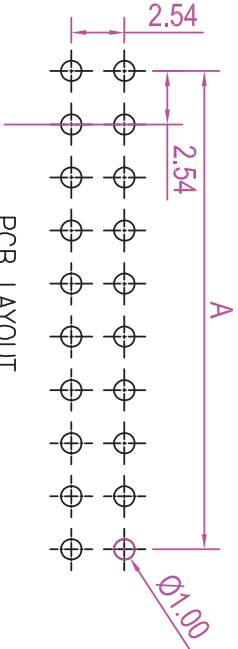
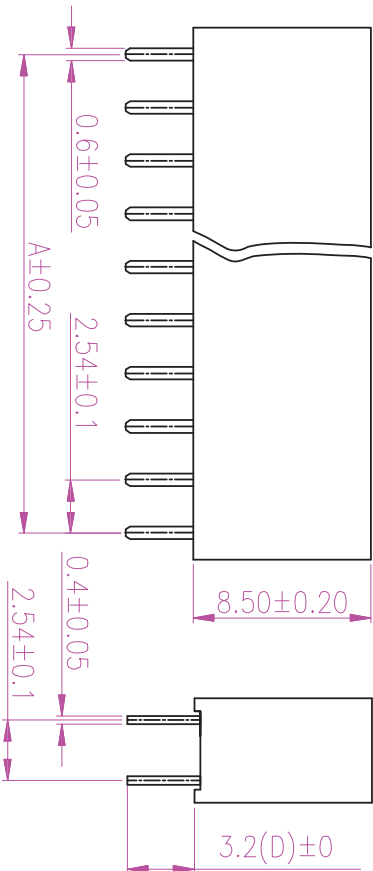
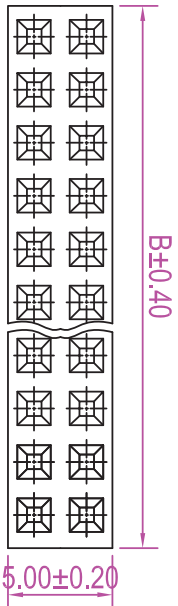


STRAIGHT PIN VIEW



PCB LAYOUT

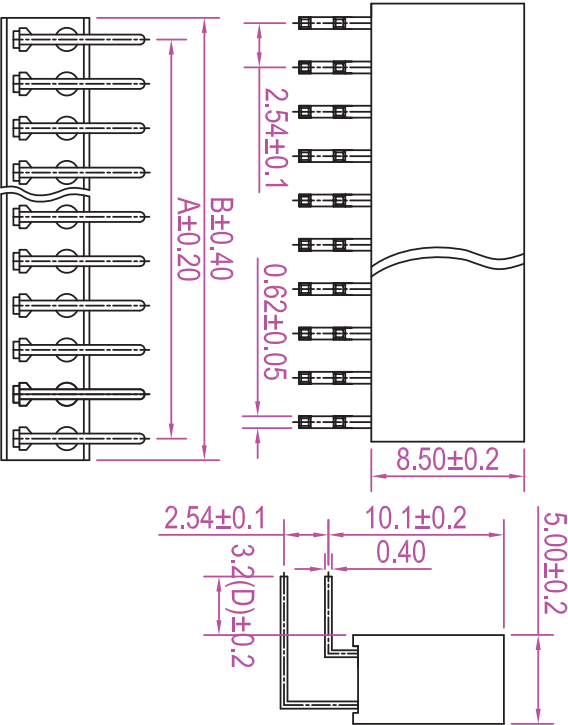
RDI P/N: 225-X-X-XX-GF-NL

- 1) SERIES
- 2) BLANK = STRAIGHT PINS, R = RIGHT ANGLE PINS
- 3) 1 = SINGLE ROW, 2 = DOUBLE ROW
- 4) NUMBER OF POSITIONS PER ROW 02-40
- 5) GF = GOLD FLASH PLATING IN CONTACT AREA
- 6) NL = ROHS COMPLIANT

Specification

Rated Voltage: 250V AC/DC
 Rated Current: 3A AC/DC
 Contact Resistance: 20mohms max
 Insulator Resistance: 1000Megohms/Min.
 Dielectric Withstanding: 1500V AC
 Operating Temperature: -40°C~+105°C
 Plastic Material: PA6T+30%GF, UL 94V-0, Black
 Contact Material: Phosphor Bronze/Brass
 Finish: Gold Flash Plated

RIGHT ANGLE PIN VIEW



pin	A	B
2x2	2.54	5.58
2x3	5.08	8.12
2x4	7.62	10.66
2x5	10.16	13.20
2x6	12.70	15.74
2x7	15.24	18.28
2x8	17.78	20.82
2x9	20.32	23.36
2x10	22.86	25.90
2x11	25.40	28.44
2x12	27.94	30.98
2x13	30.48	33.52
2x14	33.02	36.06
2x15	35.56	38.60
2x16	38.10	41.14
2x17	40.64	43.68
2x18	43.18	46.22
2x19	45.72	48.76
2x20	48.26	51.30
2x21	50.80	53.84
2x22	53.34	56.38
2x23	55.88	58.92
2x24	58.42	61.46
2x25	60.96	64.00
2x26	63.50	66.54
2x27	66.04	69.08
2x28	68.58	71.62
2x29	71.12	74.16
2x30	73.66	76.70
2x31	76.20	79.24
2x32	78.74	81.78
2x33	81.28	84.32
2x34	83.82	86.86
2x35	86.36	89.40
2x36	88.90	91.94
2x37	91.44	94.48
2x38	93.98	97.02
2x39	96.52	99.56
2x40	99.06	102.1

NOTES: ALL DIMS ARE IN MM

PROJECTION:

SCALE: N/A

TOLERANCE: EXCEPT AS NOTED

DEC. MILLIMETERS: X.XX, X.XX0, X.XX00, X.XX000

ANG.: X°45', X°45'

TITLE: Header/Female 2.54mm Pitch/RoHS Compliant

DATE: 11/6/2010

REF. P/N: 225-X-X-XX-GF-NL

DRAWING NO.: CD 3993

SIZE: A

REV. A

RDI Inc. 333 North Bedford Road, Suite 135, Mount Kisco, NY 10549

Research Develop Innovate

12-086	04/27/12	A	TD ADD THE RIGHT ANGLE VIEW OPTION
ECN#	DATE	SYM	REVISION RECORD

THIS DOCUMENT IS OWNED BY, AND THE INFORMATION CONTAINED IN IT IS PROPRIETARY TO, RDI. BY RECEIPT HEREOF THE HOLDER AGREES NOT TO USE THE INFORMATION AND NOT TO DISCLOSE IT TO ANY THIRD PARTY. NOR REPRODUCE THIS DOCUMENT WITHOUT THE WRITTEN CONSENT OF RDI. AND AGREES TO RETURN THIS DOCUMENT UPON REQUEST.