

**Ratings**  
Voltage: 150 V  
Temperature: -40~70 °C

**Conductor**  
Conductor count: 7  
Gauge: 22 AWG 0.33 mm<sup>2</sup>  
Material: Tinned copper strands  
Strand size:  $\varnothing 0.08 \times 65$   
Resistance at 20 °C: 59.4 $\Omega$  /km max

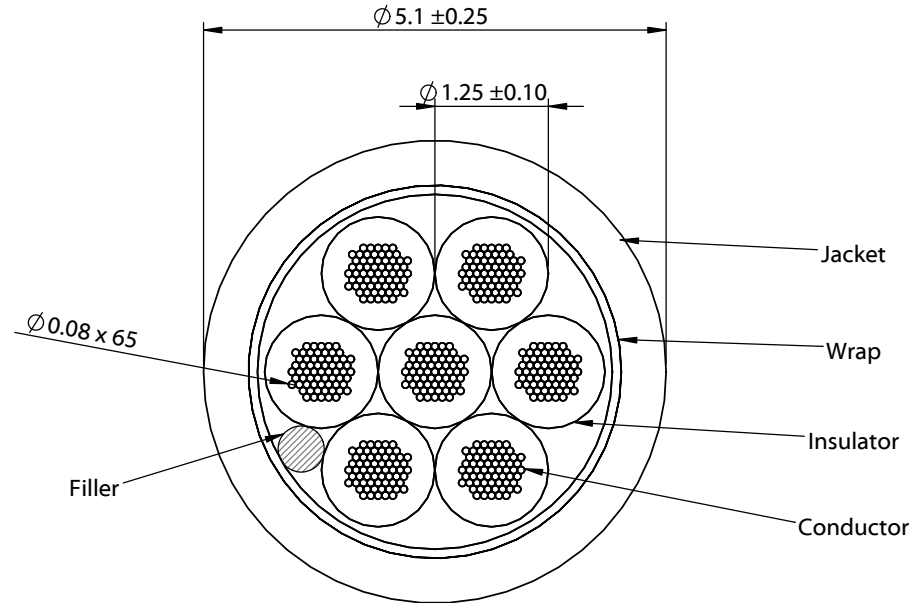
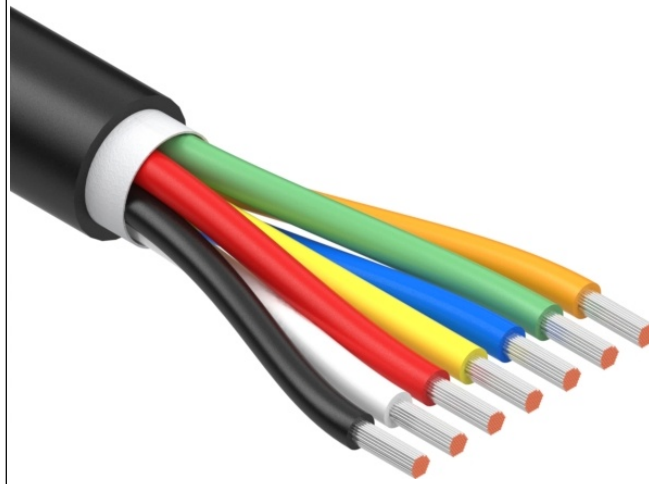
**Insulator**  
Material: HDPE  
Color: white, black, red, yellow, blue, green, orange  
Diameter:  $\varnothing 1.25 \pm 0.10$  mm  
Nominal thickness: 0.24 mm  
Resistance at 20 °C: 100 M $\Omega$  /km min

**Wrap**  
Material: cotton paper

**Filler**  
Material: aramid fiber

**Outer jacket**  
Material: TPU  
Color: black  
Diameter:  $\varnothing 5.1 \pm 0.25$  mm  
Nominal thickness: 0.6 mm

**Tests**  
Tensile strength: 26 kgf min  
Dielectric test: 1500 V dc for 1 minute without breakdown  
Bend test at 200 g,  $\pm 60^\circ$ , 30 cycles /min: 15,000 cycle minimum



|           |           |                 |  |              |  |  |
|-----------|-----------|-----------------|--|--------------|--|--|
| Revision: | Date:     | Description:    | Prepared:  | Notes:       | <h1>TENSILITY</h1> <p>tel 1.541.323.3228 800 877.670.7118<br/>fax 1.541.323.4202 web tensility.com</p> |  |
| A         | 8/23/2022 | Initial release | PB<br><small>Digitally signed by PB<br/>Date: 2022.09.20<br/>09:35:28 -07'00'</small>                        |              |  | RoHS compliant<br>Jacket meets ISO 10993 Biological Compatibility<br>Phthalate and halogen free<br>Function test: no open, no short, no intermittent |
|           |           |                 | Verified:  | Description: | Size:  |  |
|           |           |                 | MP<br><small>Digitally signed by MP<br/>Date: 2022.09.21<br/>08:17:12 -07'00'</small>                        |              | Wire, 7C TS, 22 AWG, 150V, 70C, 5.1 mm, TPU, 75A, WBL  | Part number:   |
|           |           |                 | Dimensions are in millimeters.<br>Tolerances:<br>X: $\pm 0.5$ mm<br>X.X: $\pm 0.3$ mm<br>X.XX: $\pm 0.05$ mm |              | A  | 30-02672   |
|           |           |                 |  |              | Scale: 12:1  | Sheet 1 of 1   |

5

4

3

2

1