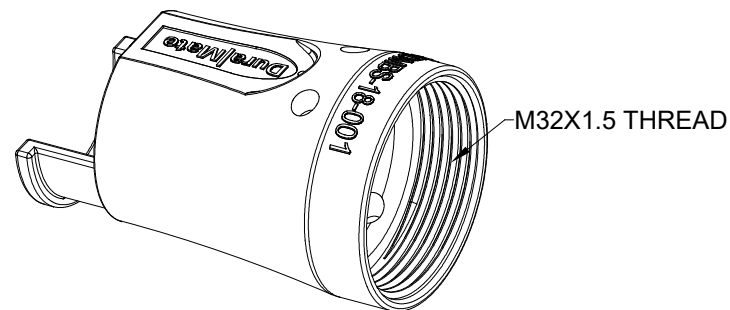
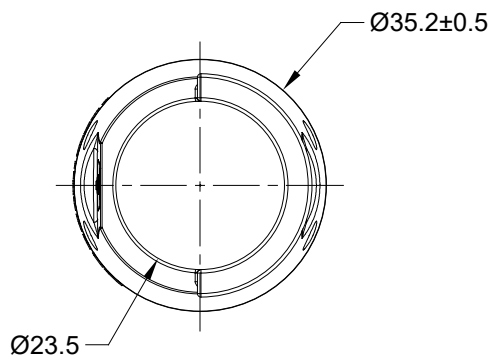
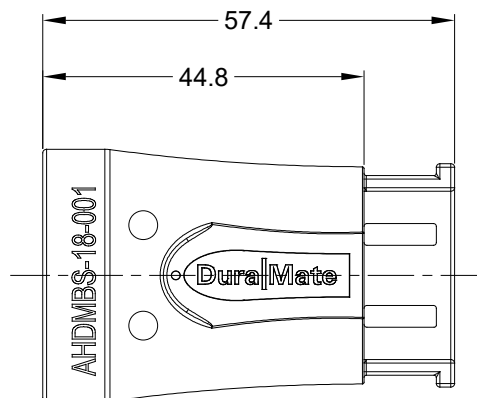


REVISIONS

REV	ECO	DESCRIPTION	DATE	BY	APPR
A1	--	RELEASE NEW PRODUCT	04/JUL/19	ROOKIE	TOMMY



NOTES: UNLESS OTHERWISE SPECIFIED

1. MATERIAL: THERMOPLASTIC
2. COLORS: BLACK
3. RoHS COMPLIANT
4. USE WITH AHDM SERIES SIZE 18 MODIFICATION
5. ALL DIMENSIONS ARE FOR REFERENCE USE ONLY.

AHDMBS-18-001					
PART NUMBER		DESCRIPTION		ITEM	
QUANTITY	MATERIALS LIST				
<p><b>UNLESS OTHERWISE SPECIFIED</b></p> <p>1) All dimensions are in metric(mm).                  2) Tolerances are as follows:                  1 PL DEC ±0.30   Fractions ±1/64                  2 PL DEC ±0.15   Angles ±1°                  3 PL DEC ±0.08</p> <p>3) Note reference = </p>		<p><b>SIGNATURES</b></p> <p>DRAWN: ROOKIE 04/JUL/19</p> <p>CHECKED: ORION 04/JUL/19</p> <p>ENGINEER:</p> <p>APPROVAL: TOMMY 04/JUL/19</p> <p>CUSTOMER:</p>		<p><b>Amphenol</b></p> <p>Sine Systems - www.amphenol-sine.com                  44724 Morley Drive                  Clinton Township, MI 48036</p>	
MATERIAL SPECIFICATIONS:		<p>THIS DRAWING IS SUPPLIED FOR INFORMATION ONLY. DESIGN FEATURES, SPECIFICATIONS AND PERFORMANCE DATA SHOWN HEREON ARE THE PROPERTY OF THE AMPHENOL CORPORATION. NO RIGHTS OF REPRODUCTION ARE IMPLIED. ALL DIMENSIONS ARE SUBJECT TO NORMAL MANUFACTURING VARIATIONS.</p>		<p>BACKSHELL, DURAMATE AHDM, SIZE 18, 180°, TIE WRAP END BELL</p>	
PROCESS SPECIFICATIONS:		SIZE	TYPE	DWG NO:	REVISION
NEXT ASSY:		A	C-	AHDMBS-18-001	A1
		SCALE: NONE		SHEET 1 OF 1	