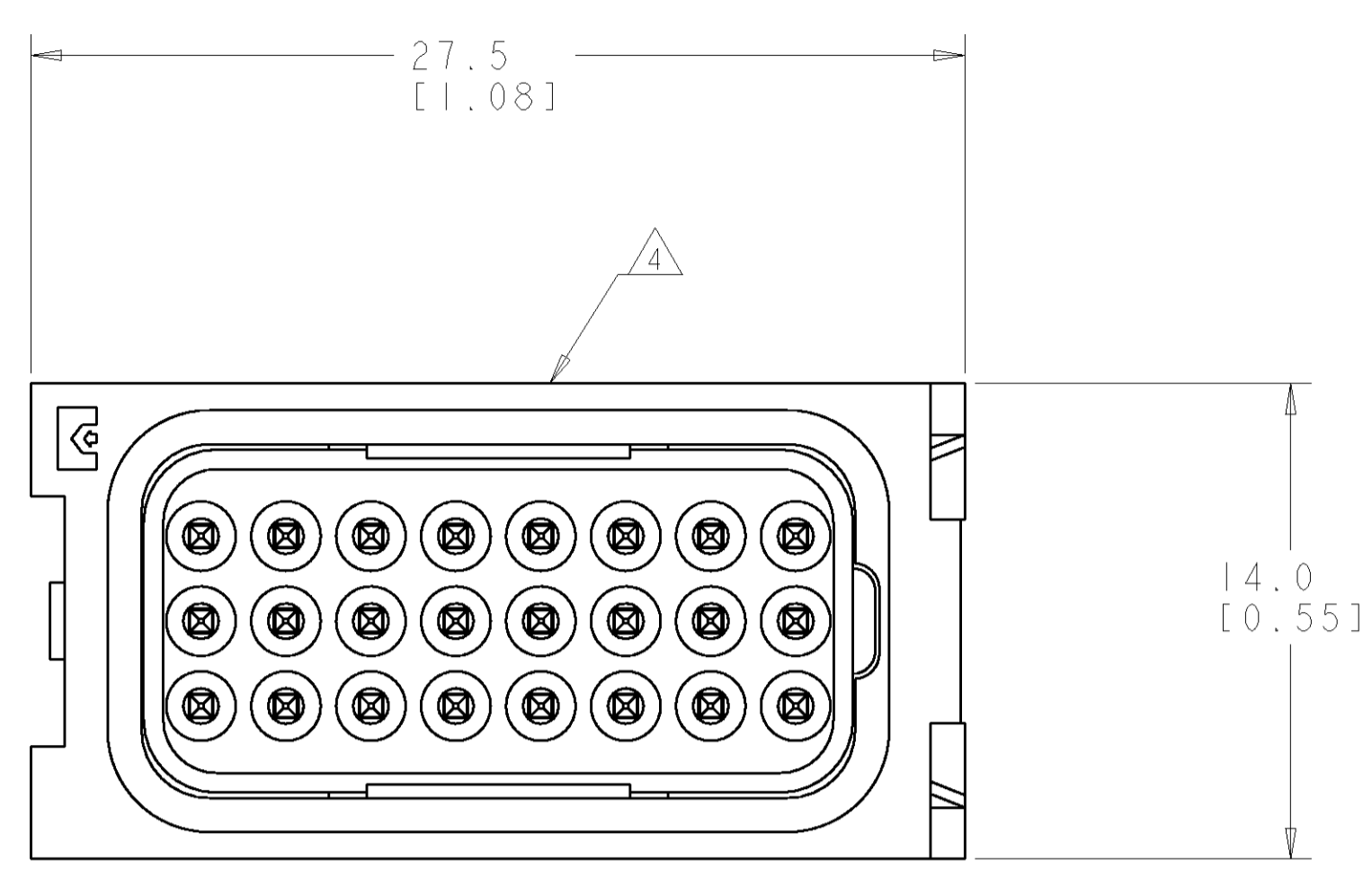


LOC	DIST	REVISIONS					
GP	00	P	LTR	DESCRIPTION	DATE	DNW	APVD
		A		RELEASED	10OCT2006	RG	DO
		B		REV PER ECO-011569	21MAY2007	RG	PD



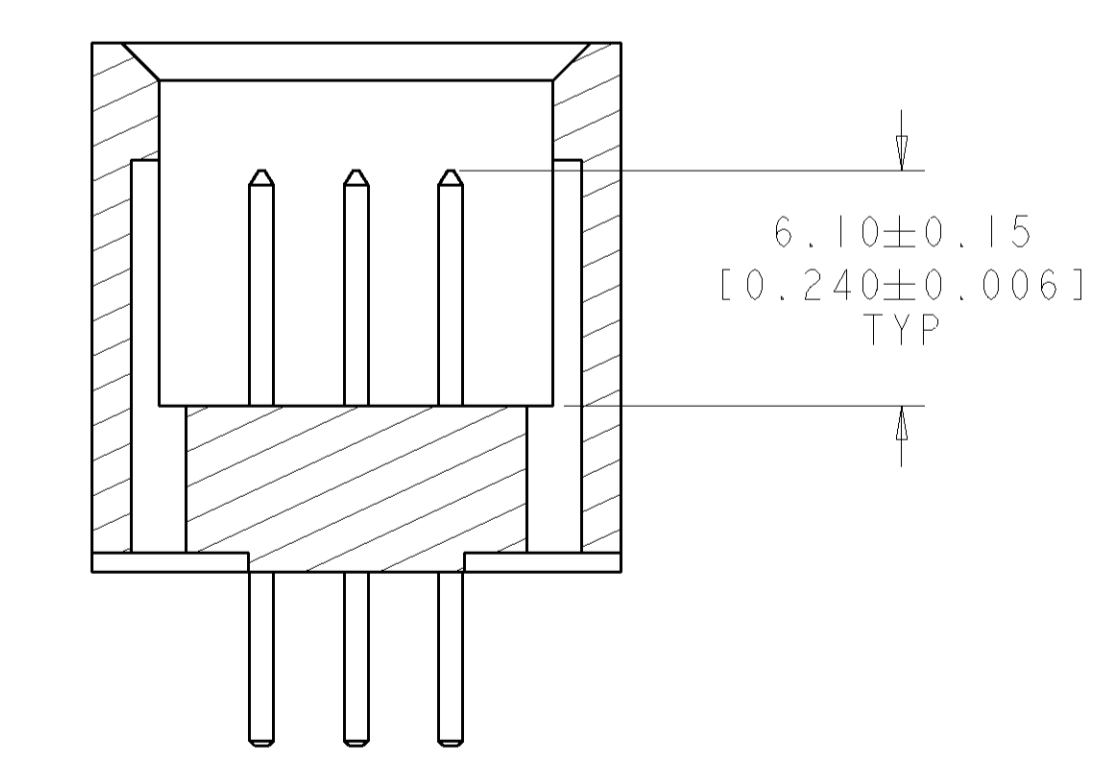
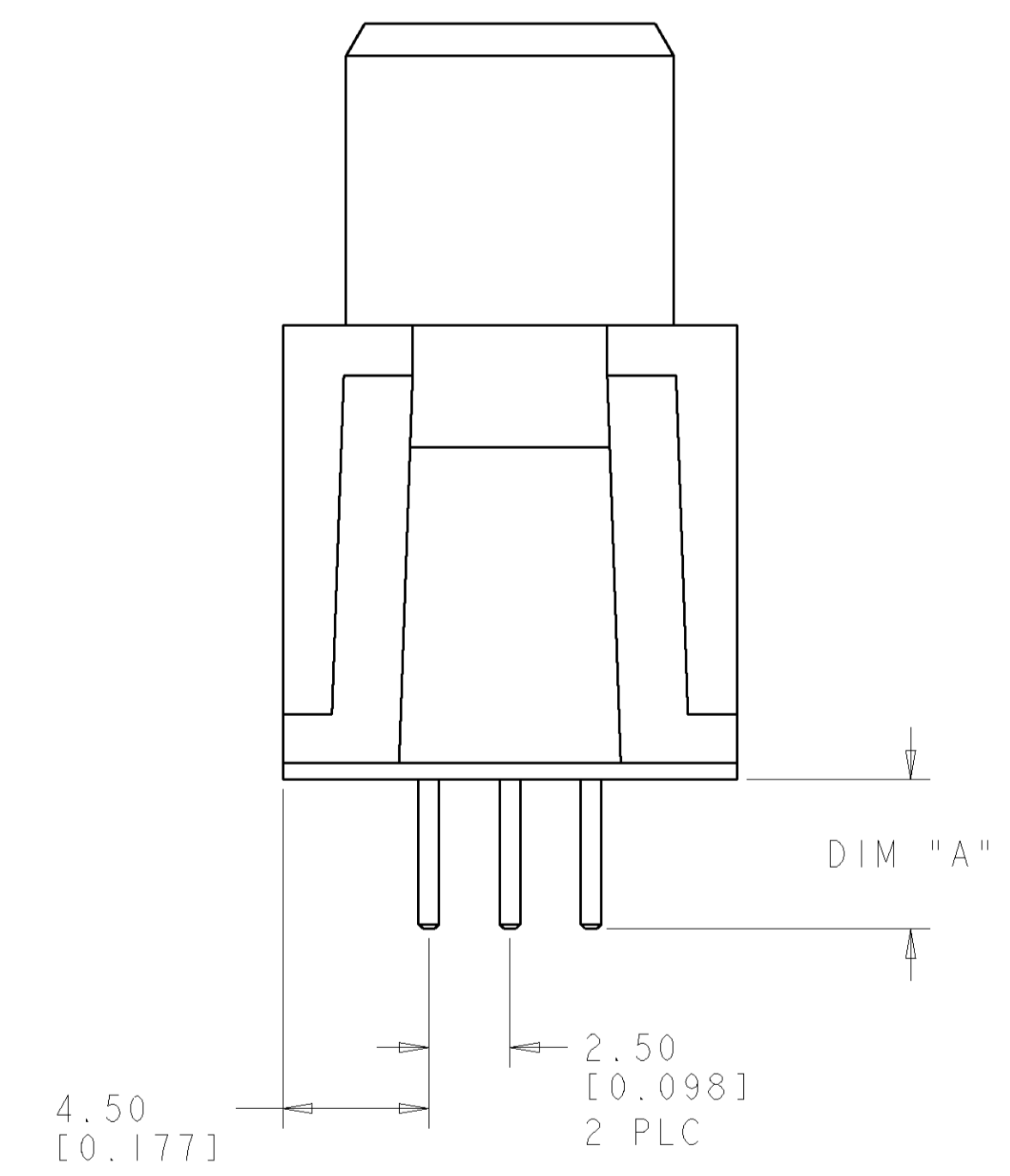
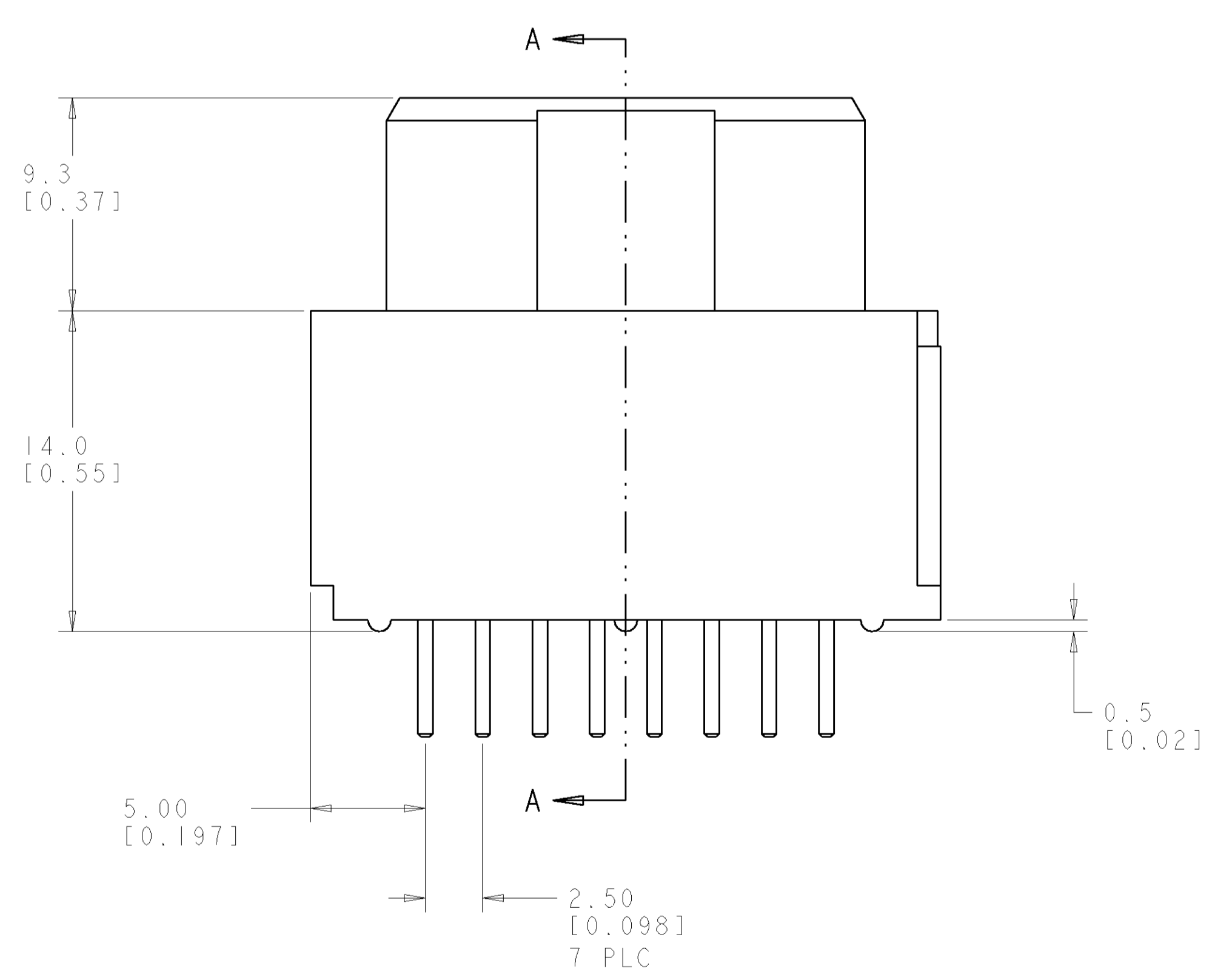
1. PART NUMBER CHANGES AND OR DESIGN CHANGES AFFECTING ITEM INTERCHANGEABILITY REQUIRE PRIOR TYCO ELECTRONICS APPROVAL AND AUTHORIZATION BY REVISION TO THIS DRAWING.

2 MATERIAL: INSULATORS - THERMOPLASTIC, GLASS REINFORCED, COLOR: BLACK, UL94V-0 FLAMMABILITY RATED. SOLDER SIGNAL PINS-BRASS ALLOY

3 FINISH: CONTACTS - GOLD PLATE .000030 INCH MIN. THK., OVER NICKEL .000050 INCH MIN. THK SOLDER TAILS, TIN .000120 INCH MIN. THK. OVER NICKEL .000050 MIN THK.

4 ITEMS PROVIDED TO THIS SPECIFICATION TO BE PERMANENTLY IDENTIFIED PER THE FOLLOWING IDENTIFIER LABEL

YEAR 1 WEEK 1
 TYCO ELECTRONICS PART NO. DATE CODE (e.g. 0106)
 XXXXXXXX-X XXXX

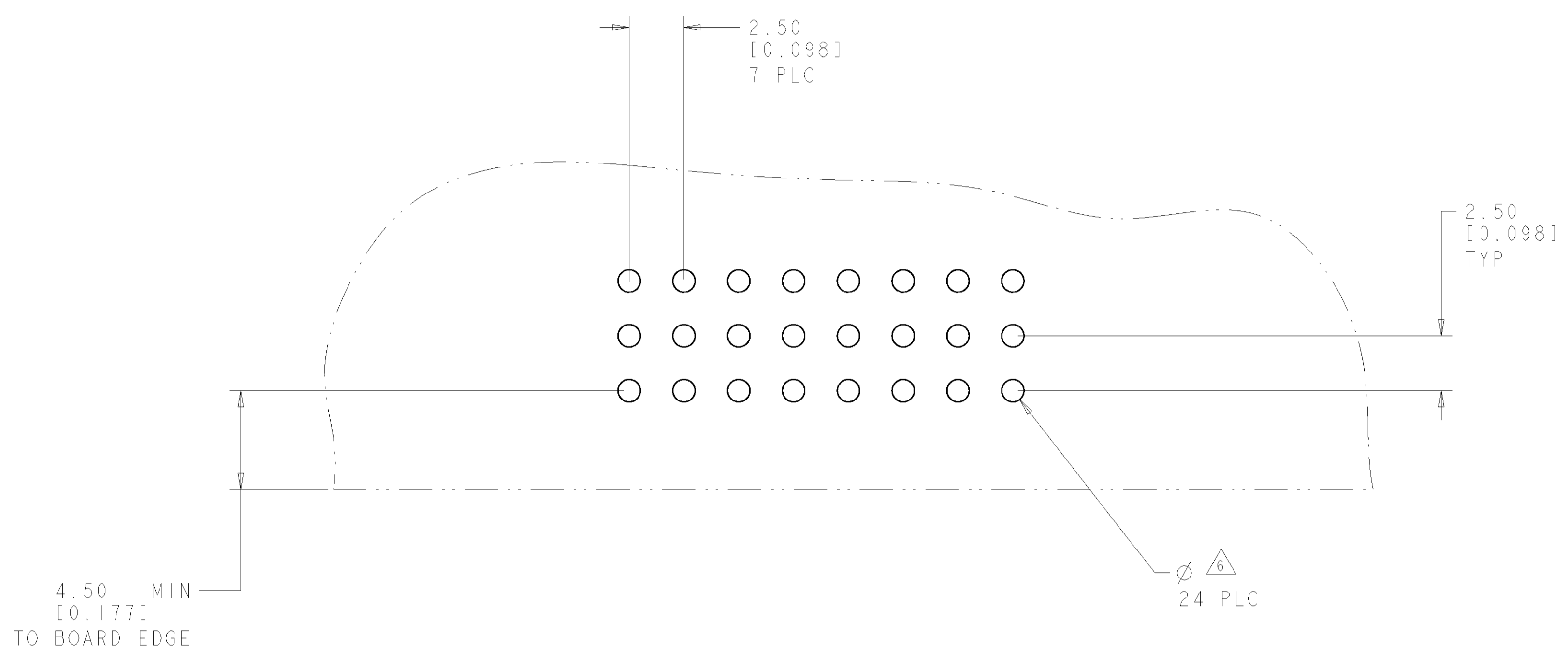


SECTION A-A
 GENDER CHANGER REMOVED FOR CLARITY

2.54 - 3.56	1926240-2
4.06 - 5.08	1926240-1
DIM "A"	PART NUMBER

DIMENSIONS: mm [INCHES] TOLERANCES UNLESS OTHERWISE SPECIFIED: 0 PLC ±.3 1 PLC ±0.15 2 PLC ±.15 3 PLC ±.15 4 PLC ±.15 ANGLES ±.5		DWN: B. GRZYBOWSKI 10OCT06 CHK: D. ORRIS 10OCT06 APVD: S. FLICKINGER 10OCT06 PRODUCT SPEC: - APPLICATION SPEC: - WEIGHT: - CUSTOMER DRAWING	Tyco Electronics Harrisburg, PA 17105-3608 NAME: STRAIGHT SOCKET CONNECTOR SOLDER TAIL SIZE: A 00779 C=1926240 SCALE: 3:1 SHEET 1 OF 3 REV B
---	--	---	--

LOC		DIST		REVISIONS			
P	LTR	DESCRIPTION	DATE	DWN	APVD		
-	-	SEE SHEET 1	-	-	-		



PRINTED CIRCUIT LAYOUT
 COMPONENT SIDE

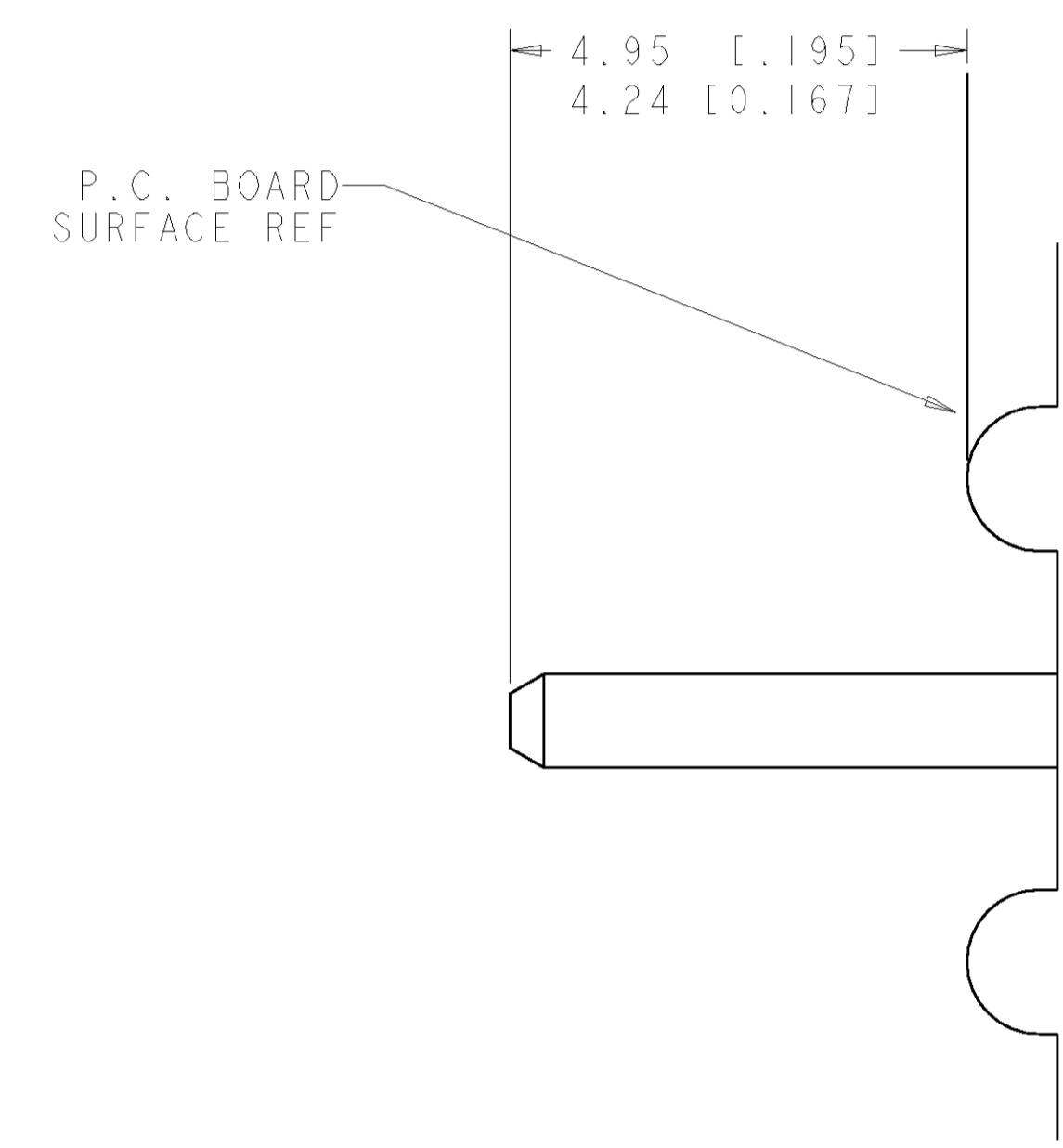
CONNECTOR	EQUIVALENT CATALOG MODULE #	MODULE QTY	CONTACT QTY	SIZE NO.	MATING PIN	MAX. CURRENT (PER CONTACT)	CONTACT SPACING	VOLTAGE RATING
SOCKET	FP301	1	24	22	.64 [.025] SQ.	3 amps	2.50 [.0984]	125 VOLTS

ELCON FLATPAQ

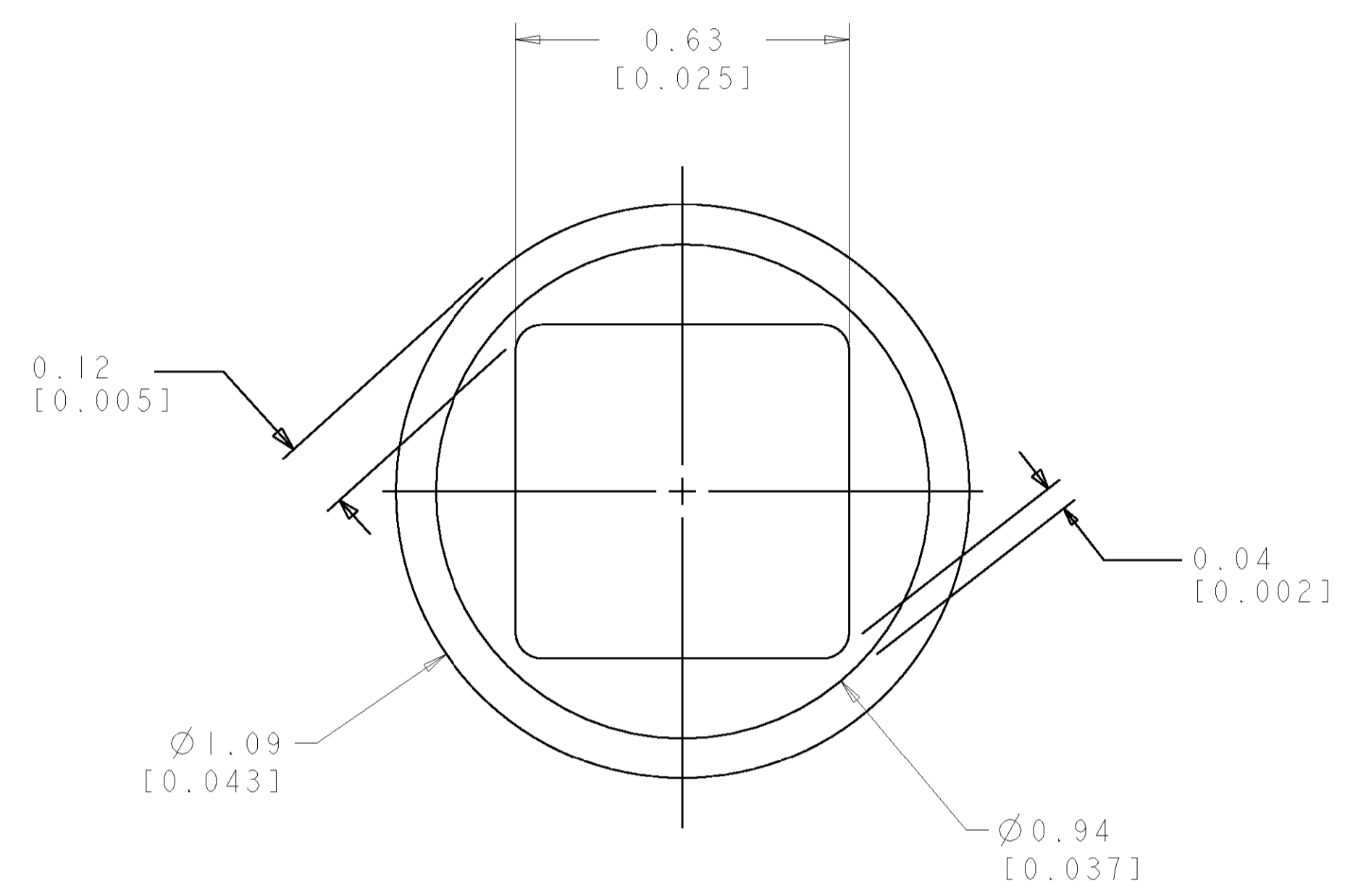
THE DIMENSIONS OF CONNECTED SOCKET FROM THIS DRAWING ARE NOT TO BE USED FOR THE DESIGN OF THE CONNECTOR. THE DIMENSIONS OF THE CONNECTOR SHALL BE OBTAINED FROM THE MANUFACTURER'S DRAWING.

DIMENSIONS: mm [INCHES]	TOLERANCES UNLESS OTHERWISE SPECIFIED: 0 PLC ± 1 PLC ±0.3 2 PLC ±0.15 3 PLC ± 4 PLC ± ANGLES ± 5	DWN B. GRZYBOWSKI 10OCT06 CHK D. ORRIS 10OCT06 APVD S. FLICKINGER 10OCT06	Tyco Electronics Harrisburg, PA 17105-3608
MATERIAL -	FINISH -	PRODUCT SPEC -	NAME STRAIGHT SOCKET CONNECTOR SOLDER TAIL
		APPLICATION SPEC -	SIZE CAGE CODE DRAWING NO A 100779 C=1926240
		WEIGHT -	RESTRICTED TO -
		CUSTOMER DRAWING	SCALE 3:1 SHEET 2 OF 3 REV B

LOC	DIST	REVISIONS			
P	LTR	DESCRIPTION	DATE	DWN	APVD
-	-	SEE SHEET 1	-	-	-



5. SOLDER TAIL
SCALE 10:1



6. SOLDER TERMINATION AREA
 SCALE 40:1
 RECOMMENDED PRINTED CIRCUIT SOLDER HOLE
 FINISHED HOLE: Ø1.02 [.040] ±.08 [.003]
 DRILLED HOLE: Ø1.15 [.0453] ±.013 [.0005]
 COPPER PLATE: .025 [.0010] MIN
 TIN PLATE: .008 [.0003] MIN. (PER SURFACE)

ELCON FLATPAQ

<small>THIS DRAWING IS UNPUBLISHED. RELEASED FOR PUBLICATION. THIS DRAWING IS THE PROPERTY OF TYCO ELECTRONICS CORPORATION. IT IS TO BE USED ONLY FOR THE PURPOSES AND ORGANIZATION SPECIFIED HEREIN. NO PARTS OF THIS DRAWING ARE TO BE REPRODUCED OR TRANSMITTED IN ANY FORM OR BY ANY MEANS, ELECTRONIC OR MECHANICAL, INCLUDING PHOTOCOPYING, RECORDING, OR BY ANY INFORMATION STORAGE AND RETRIEVAL SYSTEM, WITHOUT PERMISSION IN WRITING FROM TYCO ELECTRONICS CORPORATION.</small>		DWN: B. GRZYBOWSKI 10OCT06 ENR: D. ORRIS 10OCT06 APVD: S. FLICKINGER 10OCT06	Tyco Electronics Harrisburg, PA 17105-3608
DIMENSIONS: mm [INCHES]	TOLERANCES UNLESS OTHERWISE SPECIFIED: 0 PLC ± 1 PLC ±0.3 2 PLC ±0.15 3 PLC ± 4 PLC ± ANGLES ±.5 FINISH -	NAME: STRAIGHT SOCKET CONNECTOR SOLDER TAIL PRODUCT SPEC - APPLICATION SPEC - WEIGHT - CUSTOMER DRAWING	SIZE: A 00779 C=1926240 SCALE: 3:1 SHEET 3 OF 3 REV B