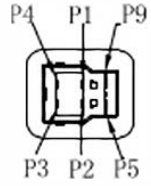
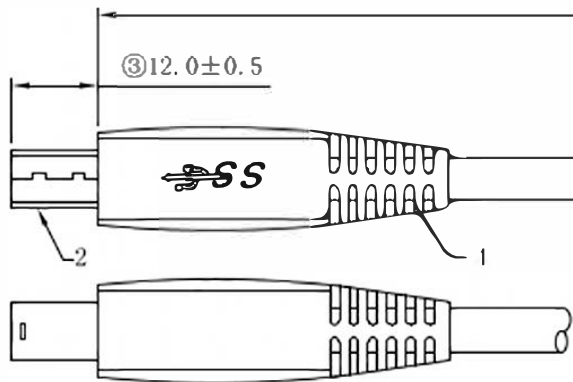


REV.	Change NO.	Change Description	Date	Approved
A0		NEW	2015.08.12	



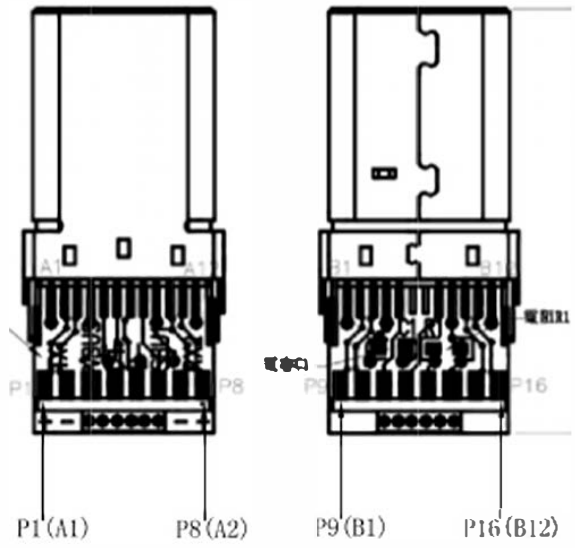
P2



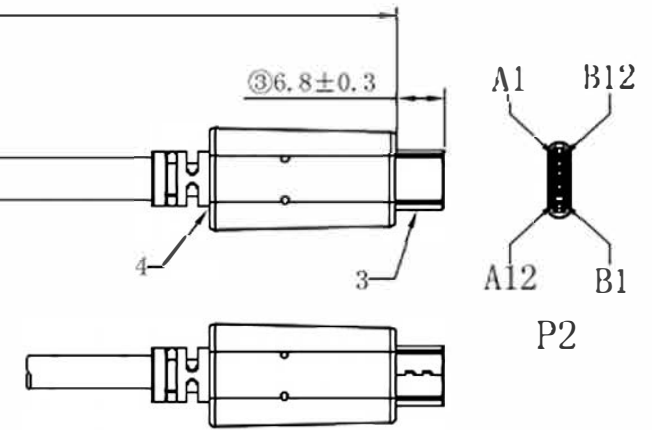
USB3.0 B/M MOLDING TYPE
OUTER MOLD NO. :HJ-CT-180

PIN OUT

P1	RED	P2	
1	GREEN	3	
2	WHITE	5	
3	BLACK	4	
4	BULE	GND	
5	WHITE	15	} Brown Foil
6	DRAIN	16	
7	DRAIN	GND	
8	BLUE	2	} Purple Foil
9	WHITE	1	
SHELL	D+B	SHELL	



- ① LENGTH
- 500±20mm
- 1000±30mm
- 2000±50mm
- 3000±50mm
- 5000±50mm



USB TYPE C/M MOLDING TYPE
OUTER MOLD NO. :HJ-CT-422

CnC Tech PART NUMBER:
105-1030-BL-00100
105-1030-BL-00200
105-1030-BL-00300
105-1030-BL-00500

NO.	Name	Specifications	QTY	UNIT
5	TIE	L=60mm	1	PC
4	MOLDING	45P PVC BK-01	10	G
3	USB3.0 B/M	USB3.0 B/M 9P	1	PCS
2	USB Type C	USB Type C/M	1	SET
1	CABLE	(7/0.12TS+PEF1D0.90*2C+D7/0.12TS+AL+M)*2P+(7/0.12TS+HDPE1D0.7*1P)+(7/0.20TS+PVC1D1.05*2C)+(PP 3800DX2)+AL+D7/0.12BS+96#/0.12ALAG+PVC OD5.5mm BK	1	PCS

ITEM NO.	105-1030-BL-00XXX	Customer	/
DESCRIPTION	TYPE-C MALE to USB 3.0 B/MALE	REV.	A0
MATERIAL NO.		PAGE	1 OF 1
CnC Tech, LLC		UNIT	CHECK
		SCALE	NONE
		PROJECTION	DATE
		FILE/N	/
		APPRO	
		DRAWN	
		DATE	2015.08.12