

PART NO.	NUMBER OF CKTS	DIMN. A	DIMN. B	DIMN. C	DIMN. D	
93407-**-04	4	10.86	3.81	6.11	7.66	NOTE 7
93407-**-06	6	13.40	6.35	8.65	10.20	
93407-**-08	8	15.94	8.89	11.19	12.74	
93407-**-10	10	18.48	11.43	13.73	15.28	
93407-**-12	12	21.02	13.97	16.27	17.82	
93407-**-14	14	23.56	16.51	18.81	20.36	
93407-**-16	16	26.10	19.05	21.35	22.90	
93407-**-18	18	28.64	21.59	23.89	25.44	
93407-**-20	20	31.18	24.13	26.43	27.98	
93407-**-22	22	33.72	26.67	28.97	30.52	
93407-**-24	24	36.26	29.21	31.51	33.06	
93407-**-26	26	38.80	31.75	34.05	35.60	

93407 - * * * * CIRCUIT SIZE.

	PCB PEGS	TUBE PACKED	TAPE & REEL PACKED
0	YES	YES	NO
2	YES	NO	YES
3	NO	YES	NO
5	NO	NO	YES

0 = TIN VERSION
3 = PALLADIUM NICKEL VERSION

NOTES:

- MATERIAL HOUSING: PPA, GLASS-FILLED, COLOUR: BLACK, UL 94-HB TERMINAL: BRASS
 - FINISHES: TERMINAL PALLADIUM NICKEL (PdNi); CONTACT AREA: SELECTIVE PdNi; 0.6 MICROMETRE MINIMUM UNDER 0.05 MICROMETRE MINIMUM GOLD FLASH. SMT TAILS: TIN (Sn); 3 MICROMETRE MIN. ALL OVER NICKEL UNDERPLATE. TIN: 3 MICROMETRE MINIMUM OVER NICKEL UNDERPLATE.
 - PRODUCT SPECIFICATION: PS-99020-0011
 - PACKAGING SPECIFICATION: FOR TAPE AND REEL SEE: PK-90816-006 FOR TUBE SEE: PK-90816-007
 - MATES WITH MOLEX 90327 PART SERIES.
 - ALL SMT TAILS TO LIE WITHIN A COPLANARITY BAND OF 0 - 0.10 MICROMETRE REF. FROM EACH OTHER.
 - 4 CIRCUIT PART NOT AVAILABLE IN TAPE AND REEL.
 - PCB PEGS ARE OPTIONAL.
- LAST INSPECTION NUMBER USED: 20

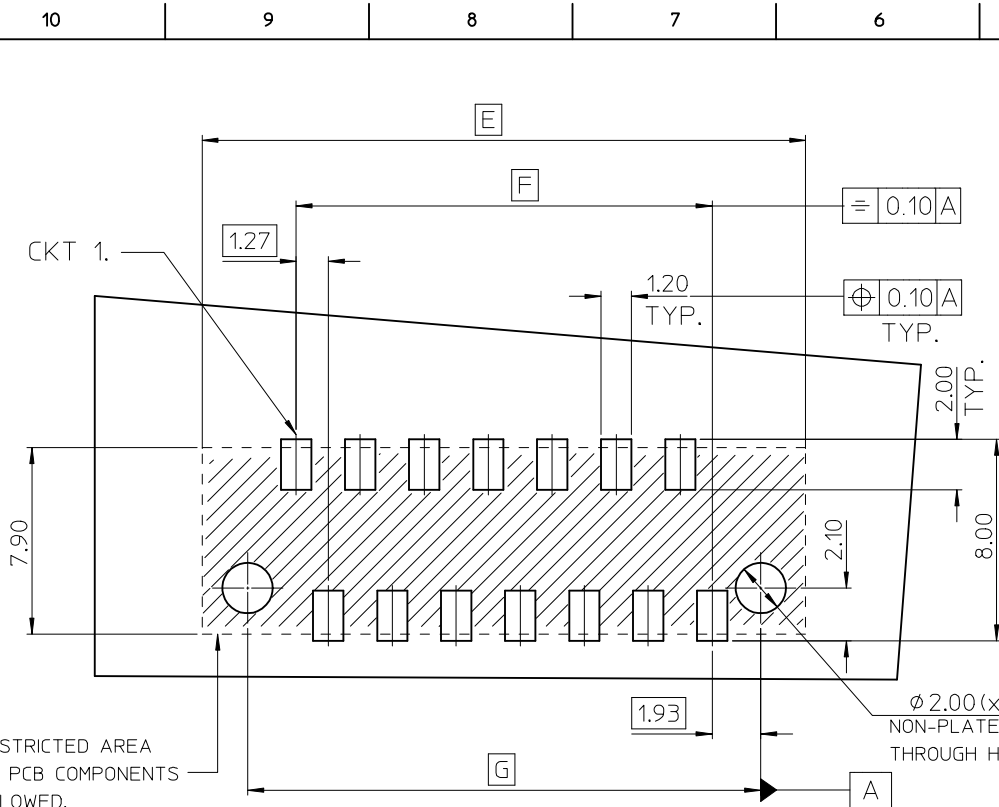
NOTE 8.

SEE DETAIL 1

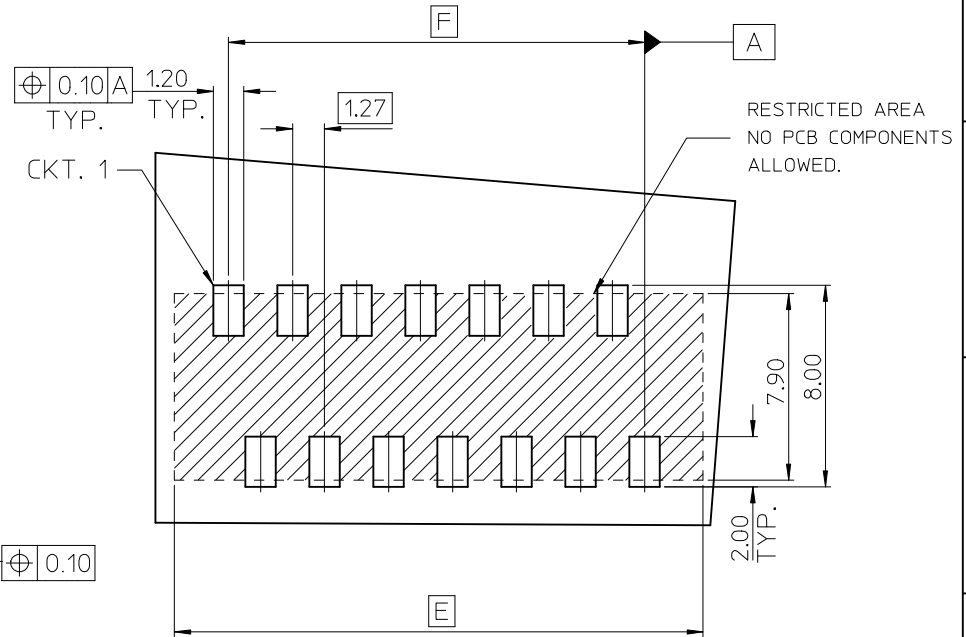
DETAIL 1
SCALE 10:1

MODIFIED PCB DIMS EC NO: IPG2013-0901 DRW: DBYRNES 2013/01/18 CHKD: DMAHER 2013/01/22 APPR: STGRIFFIN 2013/01/23	QUALITY SYMBOLS	GENERAL TOLERANCES (UNLESS SPECIFIED)	DIMENSION STYLE	SCALE	DESIGN UNITS	THIRD ANGLE PROJECTION
	▼ = 0 ◻ = 0	mm INCH 4 PLACES ± --- ± --- 3 PLACES ± --- ± --- 2 PLACES ± 0.25 ± --- 1 PLACE ± 0.35 ± --- 0 PLACE ± --- ± ---	MM ONLY	5:1	METRIC	
	ANGULAR ± 2 ° DRAFT WHERE APPLICABLE MUST REMAIN WITHIN DIMENSIONS	DRAWN BY: DBYRNES DATE: 2012/05/29 CHECKED BY: DATE: APPROVED BY: DATE: 2012/06/22 EFOLAN 2012/06/27	TITLE			REVERSE FOOTPRINT LATCHED PICO FLEX SMT HEADER
		MATERIAL NO. DOCUMENT NO. SHEET NO. SEE CHART SD-93407-001 1 OF 2				

THIS DRAWING CONTAINS INFORMATION THAT IS PROPRIETARY TO MOLEX INCORPORATED AND SHOULD NOT BE USED WITHOUT WRITTEN PERMISSION



RECOMMENED PCB THICKNESS 1.60±0.14
 PCB LAYOUT FOR CLEARANCE FIT WITH PCB PEGS
 VIEW FROM COMPONENT SIDE



PCB LAYOUT WITHOUT PCB PEGS
 VIEW FROM COMPONENT SIDE

93407-**-26	26	38.80	31.75	35.60
93407-**-24	24	36.26	29.21	33.06
93407-**-22	22	33.72	26.67	30.52
93407-**-20	20	31.18	24.13	27.98
93407-**-18	18	28.64	21.59	25.44
93407-**-16	16	16.10	19.05	22.90
93407-**-14	14	23.56	16.51	20.36
93407-**-12	12	21.02	13.97	17.82
93407-**-10	10	18.48	11.43	15.28
93407-**-08	08	15.94	08.89	12.74
93407-**-06	06	13.40	06.35	10.20
93407-**-04	04	10.86	03.81	07.66
PART No.	CKT SIZE	DIM. E	DIM. F	DIM. G

REFERENCE DIMENSIONS ONLY

MODIFIED PCB DIMS EC NO: IPG2013-0901 DRW:DBYRNES 2013/01/18 CHK:DMAHER 2013/01/22 APPR:ST.GRIFFIN 2013/01/23	QUALITY SYMBOLS	GENERAL TOLERANCES (UNLESS SPECIFIED)	DIMENSION STYLE MM ONLY	SCALE 5:1	DESIGN UNITS METRIC	THIRD ANGLE PROJECTION																																
	$\nabla = 0$ $\sphericalangle = 0$	<table border="1"> <tr><th></th><th>mm</th><th>INCH</th></tr> <tr><td>4 PLACES</td><td>± ---</td><td>± ---</td></tr> <tr><td>3 PLACES</td><td>± ---</td><td>± ---</td></tr> <tr><td>2 PLACES</td><td>± 0.25</td><td>± ---</td></tr> <tr><td>1 PLACE</td><td>± 0.35</td><td>± ---</td></tr> <tr><td>0 PLACE</td><td>± ---</td><td>± ---</td></tr> </table>		mm	INCH	4 PLACES	± ---	± ---	3 PLACES	± ---	± ---	2 PLACES	± 0.25	± ---	1 PLACE	± 0.35	± ---	0 PLACE	± ---	± ---	<table border="1"> <tr><th>DRAWN BY</th><th>DATE</th><th>TITLE</th></tr> <tr><td>DBYRNES</td><td>2012/05/29</td><td rowspan="4">REVERSE FOOTPRINT LATCHED PICO FLEX SMT HEADER</td></tr> <tr><th>CHECKED BY</th><th>DATE</th></tr> <tr><td>DSHEA</td><td>2012/06/22</td></tr> <tr><th>APPROVED BY</th><th>DATE</th></tr> <tr><td>EFOLAN</td><td>2012/06/27</td></tr> </table>	DRAWN BY	DATE	TITLE	DBYRNES	2012/05/29	REVERSE FOOTPRINT LATCHED PICO FLEX SMT HEADER	CHECKED BY	DATE	DSHEA	2012/06/22	APPROVED BY	DATE	EFOLAN	2012/06/27		DOCUMENT NO. SD-93407-001	SHEET NO. 2 OF 2
		mm	INCH																																			
	4 PLACES	± ---	± ---																																			
3 PLACES	± ---	± ---																																				
2 PLACES	± 0.25	± ---																																				
1 PLACE	± 0.35	± ---																																				
0 PLACE	± ---	± ---																																				
DRAWN BY	DATE	TITLE																																				
DBYRNES	2012/05/29	REVERSE FOOTPRINT LATCHED PICO FLEX SMT HEADER																																				
CHECKED BY	DATE																																					
DSHEA	2012/06/22																																					
APPROVED BY	DATE																																					
EFOLAN	2012/06/27																																					
ANGULAR ± 2 ° DRAFT WHERE APPLICABLE MUST REMAIN WITHIN DIMENSIONS	MATERIAL NO. SEE SHEET 1																																					
	SIZE A3																																					
	THIS DRAWING CONTAINS INFORMATION THAT IS PROPRIETARY TO MOLEX INCORPORATED AND SHOULD NOT BE USED WITHOUT WRITTEN PERMISSION																																					