

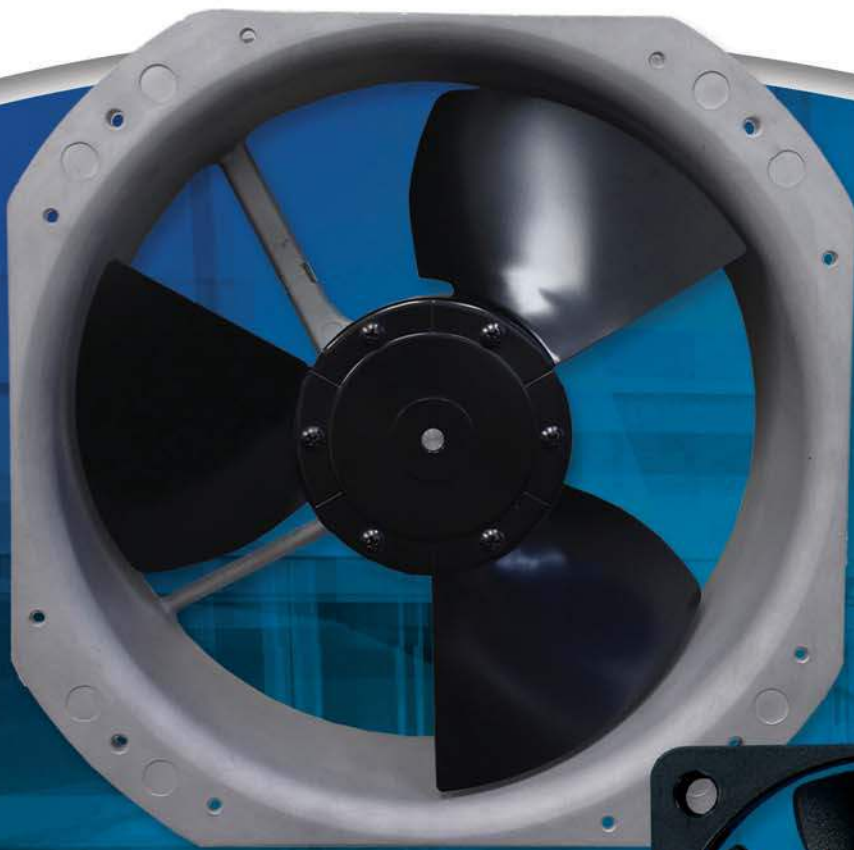
Qualtek

Electronics Corporation



Fan-S
Division

AC & DC Fans



www.Qualtekusa.com



About Us










Qualtek Electronics Corp. was established in 1980 and has become a world leader in fan accessories, primary power components, EMI power line filters, cable assemblies, domestic and international power cords, and heat shrink products. Qualtek provides high quality, low cost products and superior customer service.

Qualtek is known for its persistent commitment to quality and technology. Not simply a manufacturer, Qualtek is equipped with a strategic global network of resources and expertise in various fields and provides a select portfolio of components, products and consultant services as solutions to the electronics industry. According to geographical peculiarities, various regions have different strengths in product design and production. Having anticipated the growth opportunity through the commercial exchange of products, information and technologies across the borders, Qualtek established an extensive international network, professional operations, efficient logistics, competent marketing and sales organization to facilitate this mission.



Qualtek supports its customers through a global network of offices, engineers, manufacturer's representatives, and authorized stocking distributors. Qualtek also provides tooling capabilities to modify or customize products to meet specific customer requirements.
















Qualtek is an ISO 9001 registered facility and our products are designed, manufactured, and tested to meet the domestic and international safety requirements. We are committed to the continual improvement of our products, our service and our quality management system. A full range of products are maintained in inventory for quick, on-time deliveries.








INDEX

AC Axial Fans			
Series	Size	Features	Page
AC Axial Fans Overview			7
FAA1-08025	80x80x25mm	115VAC-230VAC, 15 - 21 CFM, 18.3 - 27.8 dB	8
FAA1-08038	80x80x38mm	115VAC-230VAC, 22 - 29.6 CFM, 25.3 - 31.6 dB	9
FAA1-09225	92x92x25mm	115VAC-230VAC, 25 - 34 CFM, 21.1 - 30.1 dB	10
FAA1-12025	120x120x25mm	115VAC-230VAC, 65 - 71 CFM, 38.7 - 44.1 dB	11
FAA1-12038-A	120x120x38mm	115VAC-230VAC, 53.5 - 107 CFM, 30.5 - 48.1 dB	12
FDA2-17238	172x150x38mm 	115VAC-230VAC, 210 - 240 CFM, 53 - 59 dB, IP54 Rated	13
FKA1-17251	172x150x51mm	115VAC-230VAC, 140 - 189 CFM, 50.3 - 57.7 dB	14
FKA2-17251	172x150x51mm	115VAC-230VAC, 155 - 210 CFM, 56.6 - 65.0 dB	15
FDA2-17251	172x150x51mm 	115VAC-230VAC, 210 - 275 CFM, 53 - 60 dB, IP54 Rated	16
FDA2-R17251	172x51mm (round) 	115VAC-230VAC, 230 - 270 CFM, 55 - 61dB, IP54 Rated	17
FDA2-17255	172x150x55mm 	115VAC-230VAC, 210 - 240 CFM, 57 - 61 dB, IP54 Rated	18
FKA2-17689	176x176x89mm	115VAC-230VAC, 330 - 380 CFM, 66.4 - 70.0 dB	19
FKA2-18065	180x180x65mm	115VAC-230VAC, 350 - 410 CFM, 70.0 - 72.0 dB	20
FKA2-20572	205x205x72mm	115VAC-230VAC, 600 - 665 CFM, 72.0 - 75.4 dB	21
FDA2-22580	225x225x80mm 	115VAC-230VAC, 580 - 670 CFM, 68 - 71 dB, IP54 Rated	22
FKA2-25489	254x89mm (round)	115VAC-230VAC, 450 - 630 CFM, 55.6 - 66.0 dB	23
FDA2-25489	254x89mm (round) 	115VAC-230VAC, 337 - 860 CFM, 50 - 68 dB, IP54 Rated	24
FDA2-28080	280x280x80mm 	115VAC-230VAC, 1030 - 1150 CFM, 70 - 73 dB, IP54 Rated	25
FKA2-28089	280x89mm	115VAC-230VAC, 680 - 810 CFM, 56 - 59 dB	26
FKA2-28089-A	280X89mm	115VAC-230VAC, 1380 - 1480 CFM, 73 - 75 dB	27

DC Axial Fans			
Series	Size	Features	Page
DC Axial Fans Overview			28
FAD1-02510	25x25x10mm	5, 12 VDC, 1.6 - 2.1 CFM, 12.5 - 23.0 dB	29
FAD1-03010	30x30x10mm	5, 12 VDC, 2.2 - 4.0 CFM, 19.0 - 34.0 dB	30
FAD1-04010	40x40x10mm	5, 12, 24 VDC, 3.3 - 7.0 CFM, 14.0 - 29.0 dB	31
FAD1-04020	40x40x20mm	5, 12, 24 VDC, 4.4 - 9.57 CFM, 17.5 - 37.5 dB	32
FAD1-05010	50x50x10mm	5, 12, 24 VDC, 8.0 - 10.3 CFM, 20.0 - 27.5 dB	33
FAD1-06020	60x60x20mm	5, 12, 24 VDC, 10.7 - 23.5 CFM, 18.4 - 39.0 dB	34
FAD1-06025-A	60x60x25mm	5, 12, 24 VDC, 12.7 - 31.6 CFM, 18.9 - 42.7 dB	35
FAD1-08015	80x80x15mm	5, 12, 24 VDC, 21.8 - 34.3 CFM, 18.8 - 38.1 dB	36
FAD1-08025-A IC	80x80x25mm	12, 24 VDC, 19.8 - 56.8 CFM, 18.3 - 48.1 dB	37
FAD1-08025-A	80x80x25mm	12, 24 VDC, 19.8 - 43.5 CFM, 18.3 - 40.5 dB	38
FAD1-08032	80x80x32mm	12, 24, 48 VDC, 39.5 - 55.3 CFM, 35.5 - 44.0 dB	39
FAD1-08038	80x80x38mm	12, 24 VDC, 30.6 - 62.1 CFM, 25.5 - 43.7 dB	40
FAD1-09225 IC	92x92x25mm	12, 24, 48 VDC, 30.3 - 61.9 CFM, 19.1 - 42.2 dB	41

DC Axial Fans continued			
Series	Size	Features	Page
FAD1-09225	92x92x25mm	12, 24 VDC, 30.3 - 61.9 CFM, 19.1 - 42.2 dB	42
FAD1-12025	120x120x25mm	12, 24, 48 VDC, 57.2 - 98.9 CFM, 27.2 - 43.3 dB	43
FAD1-12032	120x120x32mm	12, 24, 48 VDC, 59.4 - 133.4 CFM, 26.9 - 48.4 dB	44
FAD1-12038	120x120x38mm	12, 24, 48 VDC, 57.2 - 120.1 CFM, 28.4 - 48.0 dB	45
FAD1-12738	127x127x38mm	12, 24, 48 VDC, 107.0 - 242.0 CFM, 41.0 - 64.5 dB	46
FDD1-17238	172x150x38mm 	12, 24, 48 VDC, 210 - 360 CFM, 52 - 72 dB	47
FDD1-17251	172x150x51mm 	12, 24, 48 VDC, 220 - 390 CFM, 52 - 72 dB	48
HPLC DC Fan Special Functions			49

Harsh Environment & Salt Fog Rated Fans - IP56 Rated			
Series	Size	Features	Page
Harsh Environment & Salt Fog Rated Fans Overview			50
FDA2-17238	172x150x38mm 	115 - 230 VAC, 210 - 240 CFM, 53 - 59 dB, IP56 Rated	51
FDA2-17251	172x150x51mm 	115 - 230 VAC, 210 - 275 CFM, 53 - 60 dB, IP56 Rated	52
FDA2-R17251	172x51mm (round) 	115 - 230 VAC, 230 - 270 CFM, 55 - 61 dB, IP56 Rated	53
FDA2-17255	172x150x55mm 	115 - 230 VAC, 210 - 240 CFM, 57 - 61 dB, IP56 Rated	54
FDA2-22580	225x225x80mm 	115 - 230 VAC, 580 - 670 CFM, 68 - 71 dB, IP56 Rated	55
FDA2-25489	254x89mm (round) 	115 - 230 VAC, 337 - 860 CFM, 50 - 68 dB, IP56 Rated	56
FDA2-28080	280x280x80mm 	115 - 230 VAC, 1030 - 1150 CFM, 70 - 73 dB, IP56 Rated	57
FDD1-17251	172x150x51mm 	12, 24, 48 VDC, 220 - 390 CFM, 52 - 72 dB, IP56 Rated	58
FDA2-17238-SF	172x150x38mm 	115 - 230 VAC, 210 - 240 CFM, 53 - 59 dB, IP56, Salt Fog Rated	59
FDA2-17251-SF	172x150x51mm 	115 - 230 VAC, 210 - 275 CFM, 53 - 60 dB, IP56, Salt Fog Rated	60
FDA2-R17251-SF	172x51 (round) 	115 - 230 VAC, 230 - 270 CFM, 55 - 61 dB, IP56, Salt Fog Rated	61
FDA2-17255-SF	172x150x55mm 	115 - 230 VAC, 210 - 240 CFM, 57 - 61 dB, IP56, Salt Fog Rated	62
FDA2-22580-SF	225x225x80mm 	115 - 230 VAC, 580 - 670 CFM, 68 - 71 dB, IP56, Salt Fog Rated	63
FDA2-25489-SF	254x89mm (round) 	115 - 230 VAC, 337 - 860 CFM, 50 - 68 dB, IP56, Salt Fog Rated	64
FDA2-28080-SF	280x280x80mm 	115 - 230 VAC, 1030 - 1150 CFM, 70 - 73 dB, IP56, Salt Fog Rated	65

AC Centrifugal Fans			
Series	Size	Features	Page
AC Centrifugal Fans Overview			66
FDA5-13380	133x80mm 	115 - 230 VAC, 145 - 165 CFM, 62 - 65 dB	67
FDA5-17065	170x65mm 	115 - 230 VAC, 210 - 240 CFM, 67 - 69 dB	68
FDA5-19067	190x67mm 	115 - 230 VAC, 190 - 230 CFM, 59 - 61 dB	69
FDA5-19072	190x72mm 	115 - 230 VAC, 240 - 275 CFM, 70 - 73 dB	70
FDA5-22076	220x76mm 	115 - 230 VAC, 490 - 550 CFM, 75 - 78 dB	71
FDA5-225101	225x101mm 	115 - 230 VAC, 320 - 610 CFM, 58 - 74 dB	72
FDA5-25076	250x76mm 	115 - 230 VAC, 560 - 610 CFM, 76 - 78 dB	73

Fan Accessories

Aluminum Fan Filters - 06 Series, Fan Power Cords - 07 Series	74
Wire Form Fan Guards - 08 Series	75
Plastic Fan Guards - 09 Series, Fan Silencer and Accessories	76
Plastic Fan Filter Assemblies - 09 Series	77
Fan Accessories Guide - AC Fans	78
Fan Accessories Guide - DC Fans	79

AC AXIAL FANS



- Size: 80mm - 280mm
- Bearing Type: 2-ball, 1-ball 1-sleeve, sleeve & hydro dynamic
- Voltage: 115 - 230 VAC
- Motor Types: shaded pole, capacitor-run, external rotor
- Electrical Connection: wire leads, blade terminals, terminal block
- HPLC Fans IP54 rated
- Custom design and configurations available





Features:

- Motor: Shaded Pole Induction Motor
- Motor Protection: Impedance Protected
- Bearing Type: Two Ball or Sleeve
- Connection: UL 1430 AWG 22, 280mm Wire Leads or Terminal
- Frame Material: Aluminum Alloy
- Impeller Material: Plastic UL94V-0
- Operating Temp:
 - Two Ball: -10°C~70°C
 - Sleeve: -10°C~60°C
- Life Expectancy:
 - Two Ball: 50,000 Hours
 - Sleeve: 30,000 Hours



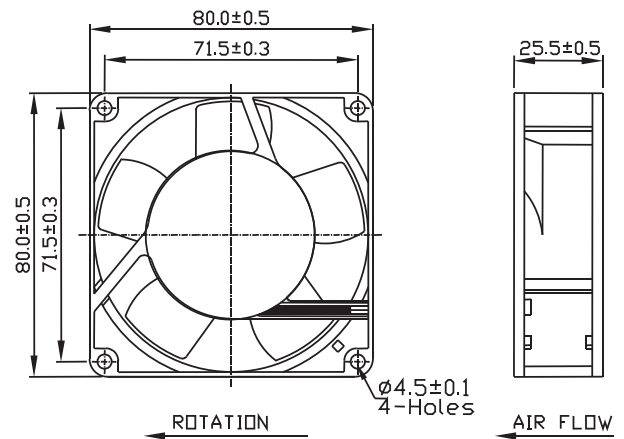
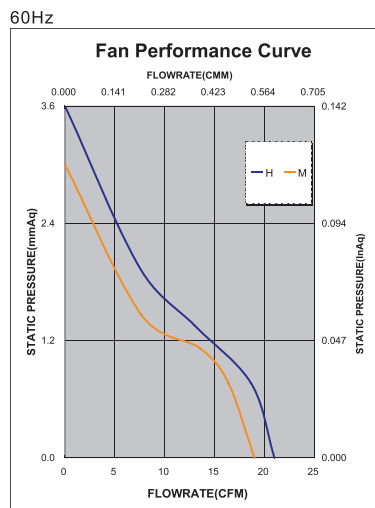
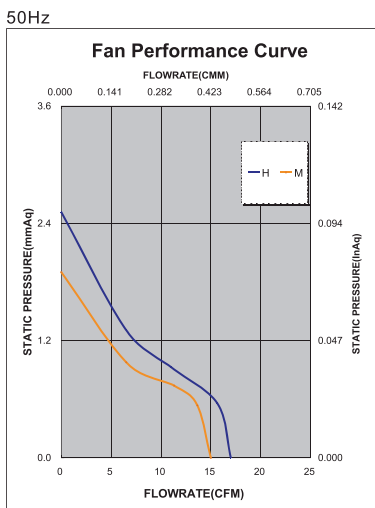
Fan-S Division



Model No.	Volt.	Freq.	Current	Power	Rated Speed	Maximum AirFlow		Maximum Static Pressure		Noise Level	Weight
	(VAC)	(Hz)	(A)	(W)	(rpm)	(CMM)	(CFM)	(InAq)	(mmAq)	(dB/A)	(g)
FAA1-08025N * H ** 31	115	50/60	0.08/0.07	7.40/5.80	2300/2800	0.481/0.594	17.0/21.0	0.099/0.125	2.515/3.600	21.2/27.8	210
FAA1-08025Q * H ** 31	230	50/60	0.07/0.06	15.18/13.11	2300/2800	0.481/0.594	17.0/21.0	0.099/0.125	2.515/3.600	21.2/27.8	210
FAA1-08025N * M ** 31	115	50/60	0.13/0.12	13.90/11.80	1900/2500	0.424/0.537	15.0/19.0	0.075/0.118	1.900/3.000	18.3/24.0	210
FAA1-08025Q * M ** 31	230	50/60	0.08/0.07	16.10/14.20	1900/2500	0.424/0.537	15.0/19.0	0.075/0.118	1.900/3.000	18.3/24.0	210

* Indicates "B" (Ball Bearing) or "S" (Sleeve Bearing)
 ** Indicates "W" (Wire Leads) or "T" (Terminal)

Noise is measured at the distance of one (1) meter from the axis of intake.





Features:

- Motor: Shaded Pole Induction Motor
- Motor Protection: Impedance Protected
- Bearing Type: Two Ball, Sleeve, or Hydro Dynamic
- Connection: UL 1430 AWG 22, 280mm Wire Leads or Terminal
- Frame Material: Aluminum Alloy
- Impeller Material: Plastic UL94V-0
- Operating Temp:
 - Two Ball: -10°C~70°C
 - Sleeve: -10°C~60°C
 - Hydro Dynamic: -10°C~70°C
- Life Expectancy:
 - Two Ball: 50,000 Hours
 - Sleeve: 30,000 Hours
 - Hydro Dynamic: 50,000 Hours



Fan-S Division



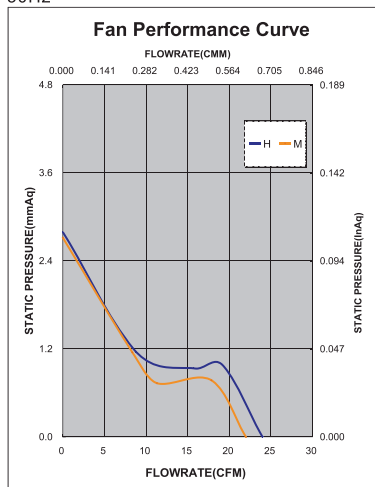
Model No.	Volt.	Freq.	Current	Power	Rated Speed	Maximum AirFlow		Maximum Static Pressure		Noise Level	Weight
	(VAC)	(Hz)	(A)	(W)	(rpm)	(CMM)	(CFM)	(InAq)	(mmAq)	(dB/A)	(g)
FAA1-08038N * H ** 31	115	50/60	0.13/0.10	11.50/8.50	2400/2800	0.679/0.837	24.0/29.6	0.110/0.166	2.794/4.216	26.2/31.6	320
FAA1-08038Q * H ** 31	230	50/60	0.07/0.06	12.50/9.50	2400/2800	0.679/0.837	24.0/29.6	0.110/0.166	2.794/4.216	26.2/31.6	320
FAA1-08038N * M ** 31	115	50/60	0.07/0.06	5.00/4.00	2300/2400	0.622/0.679	22.0/24.0	0.107/0.110	2.717/2.794	25.3/26.2	320
FAA1-08038Q * M ** 31	230	50/60	0.04/0.03	6.00/5.00	2300/2400	0.622/0.679	22.0/24.0	0.107/0.110	2.717/2.794	25.3/26.2	320

* Indicates "B" (Ball Bearing), "S" (Sleeve Bearing), or "H" (Hydro Dynamic)

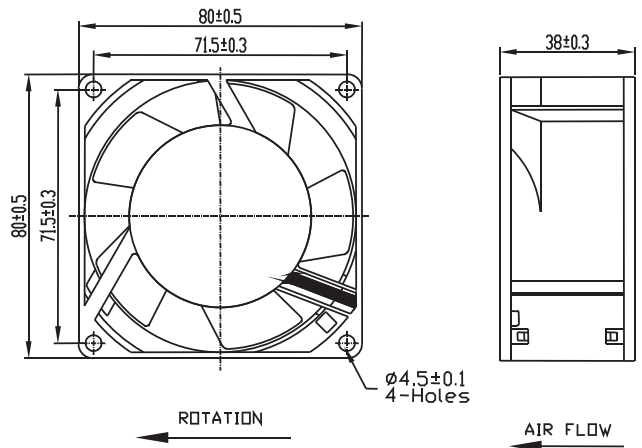
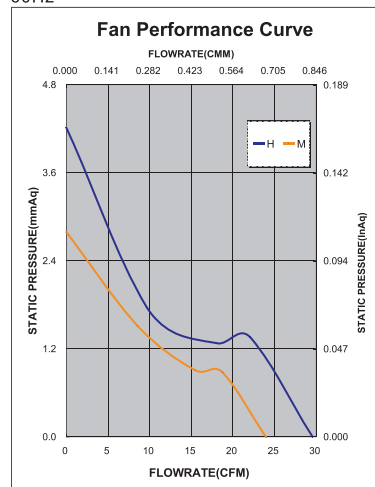
Noise is measured at the distance of one (1) meter from the axis of intake.

** Indicates "W" (Wire Leads) or "T" (Terminal)

50Hz



60Hz





Features:

- Motor: Shaded Pole Induction Motor
- Motor Protection: Impedance Protected
- Bearing Type: Two Ball or Sleeve
- Connection: UL 1430 AWG 22, 280mm Wire Leads or Terminal
- Frame Material: Aluminum Alloy
- Impeller Material: Plastic UL94V-0
- Operating Temp:
 - Two Ball: -10°C~70°C
 - Sleeve: -10°C~60°C
- Life Expectancy:
 - Two Ball: 50,000 Hours
 - Sleeve: 30,000 Hours



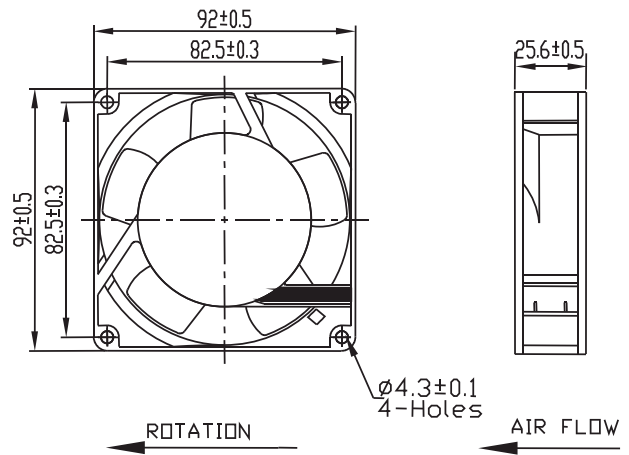
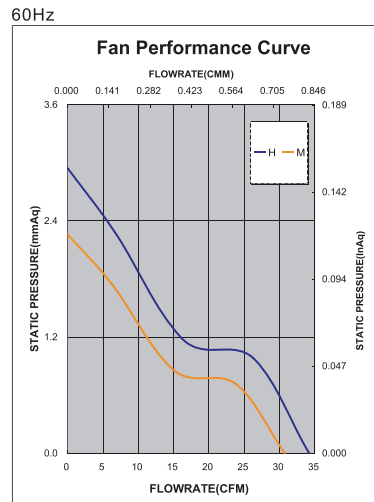
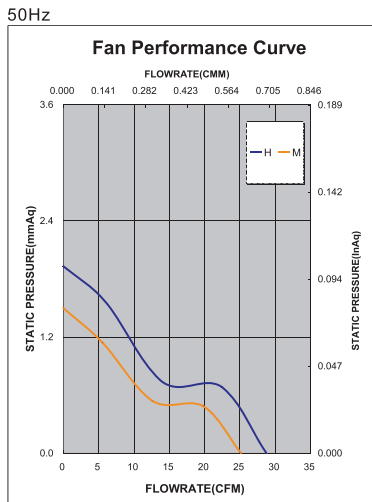
Fan-S Division



Model No.	Volt.	Freq.	Current	Power	Rated Speed	Maximum AirFlow		Maximum Static Pressure		Noise Level	Weight
	(VAC)	(Hz)	(A)	(W)	(rpm)	(CMM)	(CFM)	(InAq)	(mmAq)	(dB/A)	(g)
FAA1-09225N * H ** 31	115	50/60	0.15/0.13	17.30/15.00	2000/2400	0.792/0.962	28.0/34.0	0.076/0.116	1.930/2.946	24.1/30.1	230
FAA1-09225Q * H ** 31	230	50/60	0.07/0.06	16.10/13.80	2000/2400	0.792/0.962	28.0/34.0	0.076/0.116	1.930/2.946	24.1/30.1	230
FAA1-09225N * M ** 31	115	50/60	0.15/0.13	17.30/15.00	1800/2200	0.707/0.863	25.0/30.5	0.059/0.089	1.498/2.260	21.1/26.8	230
FAA1-09225Q * M ** 31	230	50/60	0.07/0.06	16.10/13.80	1800/2200	0.707/0.863	25.0/30.5	0.059/0.089	1.498/2.260	21.1/26.8	230

* Indicates "B" (Ball Bearing) or "S" (Sleeve Bearing)
 ** Indicates "W" (Wire Leads) or "T" (Terminal)

Noise is measured at the distance of one (1) meter from the axis of intake.





Features:

- Motor: Shaded Pole Induction Motor
- Motor Protection: Impedance Protected
- Bearing Type: Two Ball or Sleeve
- Connection: UL 1430 AWG 22, 280mm Wire Leads or Terminal
- Frame Material: Aluminum Alloy
- Impeller Material: Plastic UL94V-0
- Operating Temp:
 - Two Ball: -10°C~70°C
 - Sleeve: -10°C~60°C
- Life Expectancy:
 - Two Ball: 50,000 Hours
 - Sleeve: 30,000 Hours



Fan-S Division



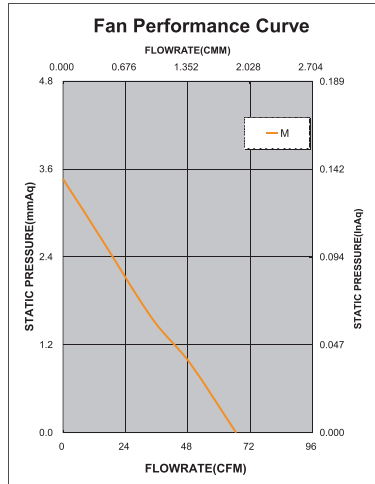
Model No.	Volt.	Freq.	Current	Power	Rated Speed	Maximum AirFlow		Maximum Static Pressure		Noise Level	Weight
	(VAC)	(Hz)	(A)	(W)	(rpm)	(CMM)	(CFM)	(InAq)	(mmAq)	(dB/A)	(g)
FAA1-12025N * M **31	115	50/60	0.22/0.18	26.45/20.70	2200/2300	1.839/2.009	65.0/71.0	0.130/0.156	3.302/3.962	38.7/44.1	340
FAA1-12025Q * M **31	230	50/60	0.10/0.09	23.00/20.70	2200/2300	1.839/2.009	65.0/71.0	0.130/0.156	3.302/3.962	38.7/44.1	340

* Indicates "B" (Ball Bearing) or "S" (Sleeve Bearing)

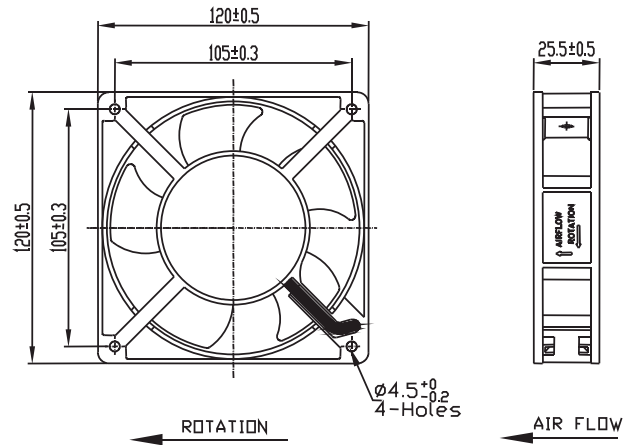
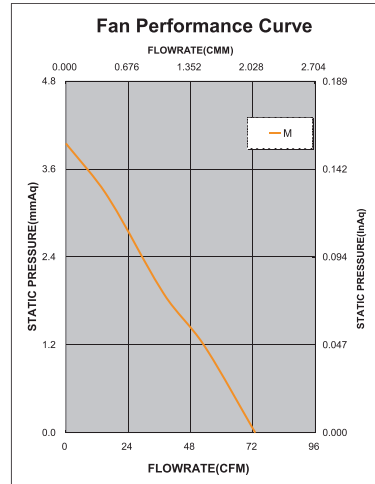
** Indicates "W" (Wire Leads) or "T" (Terminal)

Noise is measured at the distance of one (1) meter from the axis of intake.

50Hz



60Hz





Features:

- Motor: Shaded Pole Induction Motor
- Motor Protection: Impedance Protected
- Bearing Type: Two Ball, Sleeve, or Hydro Dynamic
- Connection: UL 1430 AWG 22, 280mm Wire Leads or Terminal
- Frame Material: Aluminum Alloy
- Impeller Material: Plastic UL94V-0
- Operating Temp:
 - Two Ball: -10°C~70°C
 - Sleeve: -10°C~60°C
 - Hydro Dynamic: -10°C~70°C
- Life Expectancy:
 - Two Ball: 50,000 Hours
 - Sleeve: 30,000 Hours
 - Hydro Dynamic: 50,000 Hours



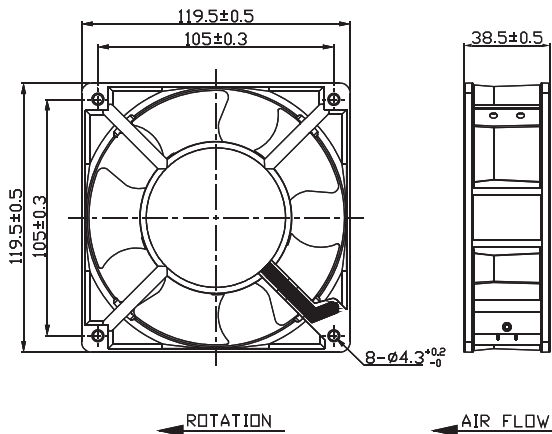
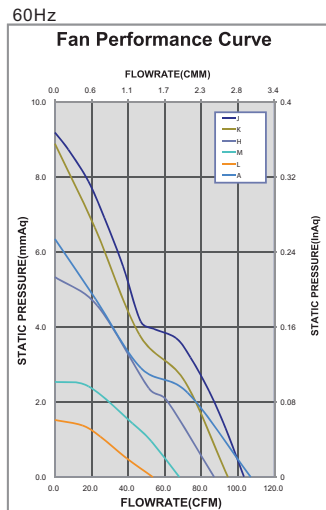
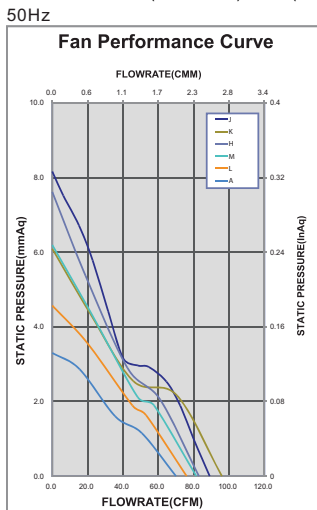
Fan-S Division



Model No.	Volt.	Freq.	Current	Power	Rated Speed	Maximum AirFlow		Maximum Static Pressure		Noise Level	Weight
	(VAC)	(Hz)	(A)	(W)	(rpm)	(CMM)	(CFM)	(InAq)	(mmAq)	(dB/A)	(g)
FAA1-12038N * K ** 31-A	115	50/60	0.28/0.24	21.20/19.20	2400/2600	2.720/3.030	96.0/107.0	0.240/0.250	6.096/6.350	46.4/48.1	550
FAA1-12038Q * K ** 31-A	230	50/60	0.14/0.12	17.50/19.80	2400/2600	2.720/3.030	96.0/107.0	0.240/0.250	6.096/6.350	46.4/48.1	550
FAA1-12038N * J ** 31-A	115	50/60	0.27/0.22	20.40/17.20	2700/3100	2.410/2.750	91.2/103.5	0.310/0.350	8.170/9.070	42.6/47.0	550
FAA1-12038Q * J ** 31-A	230	50/60	0.13/0.11	20.80/17.60	2700/3100	2.410/2.750	91.2/103.5	0.310/0.350	8.170/9.070	42.6/47.0	550
FAA1-12038N * H ** 31-A	115	50/60	0.24/0.19	17.00/14.00	2600/2900	2.410/2.750	85.0/97.0	0.310/0.350	7.900/8.870	42.2/44.5	550
FAA1-12038Q * H ** 31-A	230	50/60	0.11/0.09	17.10/14.80	2600/2900	2.410/2.750	85.0/97.0	0.310/0.350	7.900/8.870	42.2/44.5	550
FAA1-12038N * M ** 31-A	115	50/60	0.18/0.15	13.80/12.40	2600/2800	2.310/2.460	81.5/87.0	0.240/0.210	6.196/5.334	41.0/42.0	550
FAA1-12038Q * M ** 31-A	230	50/60	0.08/0.07	13.80/12.50	2600/2800	2.310/2.460	81.5/87.0	0.240/0.210	6.196/5.334	41.0/42.0	550
FAA1-12038N * L ** 31-A	115	50/60	0.12/0.11	9.00/8.70	2400/2200	2.150/2.020	76.0/71.5	0.180/0.100	4.572/2.540	40.1/37.9	550
FAA1-12038Q * L ** 31-A	230	50/60	0.06/0.05	9.80/9.40	2400/2200	2.150/2.020	76.0/71.5	0.180/0.100	4.572/2.540	40.1/37.9	550
FAA1-12038N * A ** 31-A	115	50/60	0.08/0.08	7.00/6.60	2300/1700	1.980/1.520	70.0/53.5	0.130/0.060	3.302/1.524	39.2/30.5	550
FAA1-12038Q * A ** 31-A	230	50/60	0.04/0.04	8.10/7.70	2300/1700	1.980/1.520	70.0/53.5	0.130/0.060	3.302/1.524	39.2/30.5	550

* Indicates "B" (Ball Bearing), "S" (Sleeve Bearing), or "H" (Hydro Dynamic)
 ** Indicates "W" (Wire Leads) or "T" (Terminal)

Noise is measured at the distance of one (1) meter from the axis of intake.





Features:

- Motor: External Rotor Capacitor-Run Induction Motor
- Motor Protection: Thermal Protected
- Bearing Type: Two Ball
- Connection: UL 1015 AWG 22, 300mm Wire Leads or Terminal
- Frame Material: Aluminum Alloy
- Impeller Material: Plastic UL94V-0, or Steel
- **IP54 Certified**
- Operating Temp:
Two Ball: -20°C~70°C
- Life Expectancy:
Two Ball: 50,000 Hours
Two Ball: 100,000 Hours (-L)



Fan-S Division



Model No.	Volt.	Freq.	Current	Power	Rated Speed	Maximum AirFlow		Maximum Static Pressure		Noise Level	Weight
	(VAC)	(Hz)	(A)	(W)	(rpm)	(CMM)	(CFM)	(InAq)	(mmAq)	(dB/A)	(g)
FDA2-17238NBH ** F#	115	50/60	0.25/0.21	27.0/25.0	2700/3100	5.95/6.80	210/240	0.531/0.571	13.5/14.5	53.0/59.0	820
FDA2-17238QBH ** F#	230	50/60	0.11/0.12	26.0/27.0	2700/3100	5.95/6.80	210/240	0.531/0.571	13.5/14.5	53.0/59.0	820

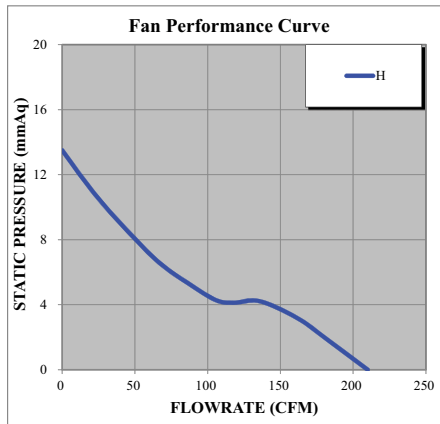
* Indicates "W" (Wire Leads) or "T" (Terminal)

Noise is measured at the distance of one (1) meter from the axis of intake.

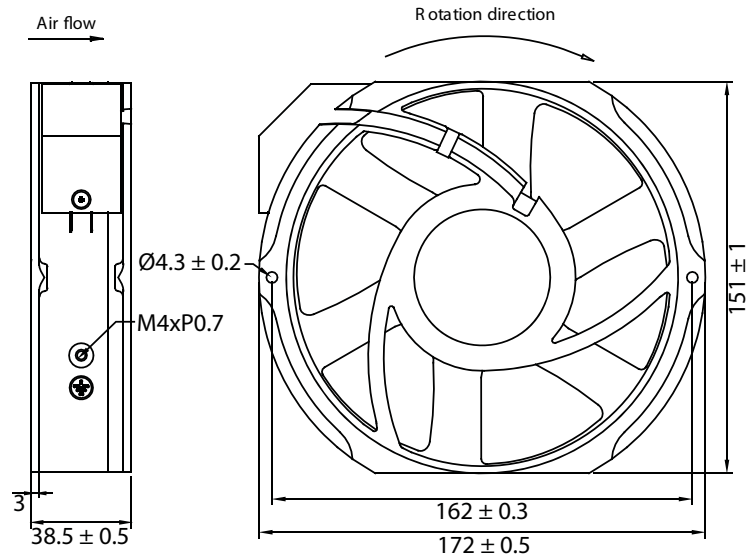
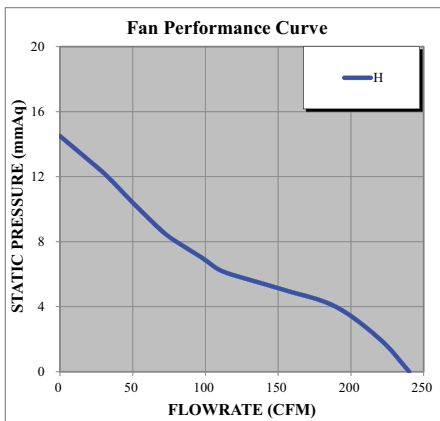
** Indicates "3" (Metal Frame, Plastic Impeller) or "4" (Metal Frame and Impeller)

Indicates "-L" (100,000 Hours Life Expectancy) or Leave Blank (50,000 Hours Life Expectancy)

50Hz



60Hz





Features:

- Motor: Shaded Pole Induction Motor
- Motor Protection: Thermal Protected
- Bearing Type: Two Ball
- Connection: UL 1430 AWG 22, 300mm Wire Leads or Terminal
- Frame Material: Aluminum Alloy
- Impeller Material: Plastic UL94V-0
- Operating Temp:
Two Ball: -10°C~70°C
- Life Expectancy:
Two Ball: 50,000 Hours



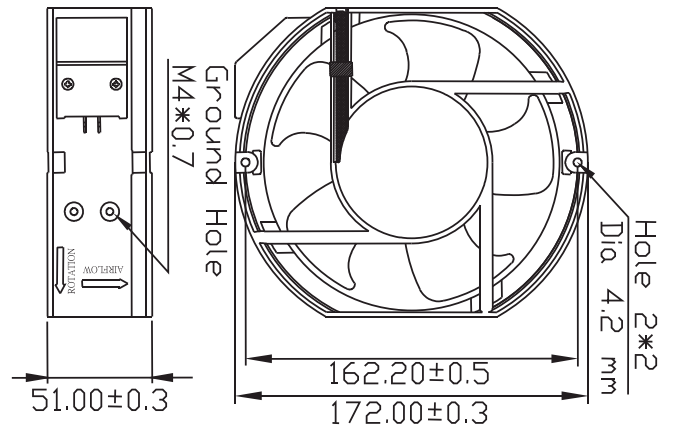
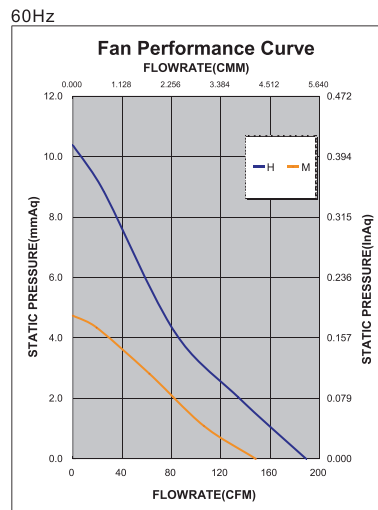
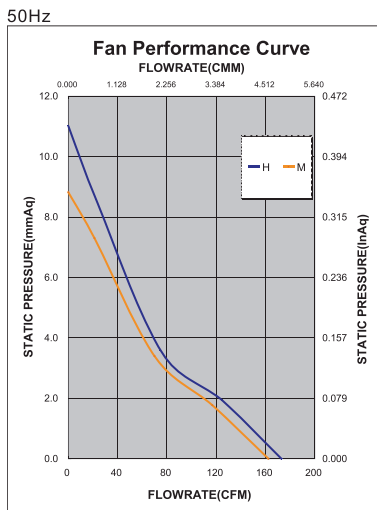
Fan-S Division



Model No.	Volt.	Freq.	Current	Power	Rated Speed	Maximum AirFlow		Maximum Static Pressure		Noise Level	Weight
	(VAC)	(Hz)	(A)	(W)	(rpm)	(CMM)	(CFM)	(InAq)	(mmAq)	(dB/A)	(g)
FKA1-17251NBH** 31	115	50/60	0.55/0.46	62.10/51.80	2600/2700	4.867/5.348	172/189	0.433/0.408	10.998/10.363	55.5/57.7	1050
FKA1-17251QBH** 31	230	50/60	0.27/0.23	59.80/50.60	2600/2700	4.867/5.348	172/189	0.433/0.408	10.998/10.363	55.5/57.7	1050
FKA1-17251NBM** 31	115	50/60	0.33/0.31	36.80/34.50	2400/2300	4.528/3.962	160/140	0.340/0.180	8.636/4.572	53.0/50.3	1050
FKA1-17251QBM** 31	230	50/60	0.17/0.17	36.80/36.80	2400/2300	4.528/3.962	160/140	0.340/0.180	8.636/4.572	53.0/50.3	1050

** Indicates "W" (Wire Leads) or "T" (Terminal)

Noise is measured at the distance of one (1) meter from the axis of intake.





Features:

- Motor: Capacitor-Run Induction Motor
- Motor Protection: Thermal Protected
- Bearing Type: Two Ball
- Connection: UL 1015 AWG 20, 300mm Wire Leads or Terminal
- Frame Material: Aluminum Alloy
- Impeller Material: Plastic UL94V-0
- Operating Temp:
Two Ball: -10°C~70°C
- Life Expectancy:
Two Ball: 50,000 Hours



Fan-S Division

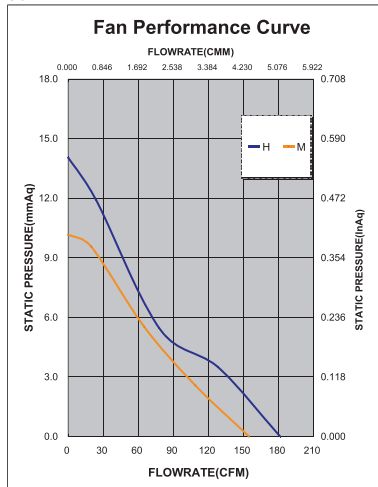


Model No.	Volt.	Freq.	Current	Power	Rated Speed	Maximum AirFlow		Maximum Static Pressure		Noise Level	Weight
	(VAC)	(Hz)	(A)	(W)	(rpm)	(CMM)	(CFM)	(InAq)	(mmAq)	(dB/A)	(g)
FKA2-17251NBH ** 3F	115	50/60	0.25/0.24	27.60/26.50	2700/3100	5.094/5.943	180/210	0.533/0.700	13.538/17.780	63.0/65.0	1050
FKA2-17251QBH ** 3F	230	50/60	0.11/0.13	23.00/27.60	2700/3100	5.094/5.943	180/210	0.533/0.700	13.538/17.780	63.0/65.0	1050
FKA2-17251NBM ** 3F	115	50/60	0.15/0.19	16.10/20.70	2500/2500	4.386/4.386	155/155	0.400/0.400	10.160/10.160	56.6/56.6	1050
FKA2-17251QBM ** 3F	230	50/60	0.08/0.10	16.10/20.70	2500/2500	4.386/4.386	155/155	0.400/0.400	10.160/10.160	56.6/56.6	1050

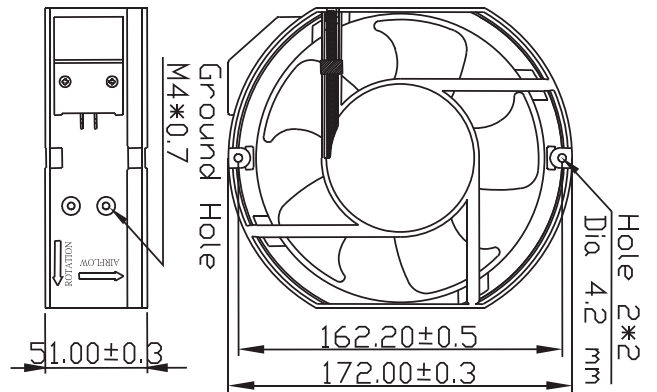
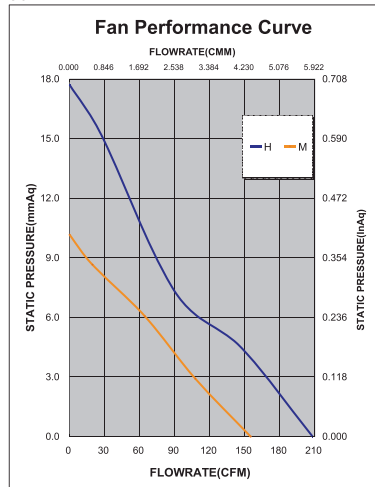
** Indicates "W" (Wire Leads) or "T" (Terminal)

Noise is measured at the distance of one (1) meter from the axis of intake.

50Hz



60Hz





Features:

- Motor: External Rotor Capacitor-Run Induction Motor
- Motor Protection: Thermal Protected
- Bearing Type: Two Ball
- Connection: UL 1015 AWG 22, 300mm Wire Leads or Terminal
- Frame Material: Aluminum Alloy
- Impeller Material: Plastic UL94V-0, or Steel
- **IP54 Certified**
- Operating Temp:
Two Ball: -20°C~70°C
- Life Expectancy:
Two Ball: 50,000 Hours
Two Ball: 100,000 Hours (-L)



Fan-S Division



Model No.	Volt.	Freq.	Current	Power	Rated Speed	Maximum AirFlow		Maximum Static Pressure		Noise Level	Weight
	(VAC)	(Hz)	(A)	(W)	(rpm)	(CMM)	(CFM)	(InAq)	(mmAq)	(dB/A)	(g)
FDA2-17251NBK * 3F #	115	50/60	0.22/0.24	24.0/27.0	2800/3300	6.51/7.78	230/275	0.649/0.768	16.5/19.5	54.0/60.0	890
FDA2-17251QBK * 3F #	230	50/60	0.11/0.12	24.0/27.0	2800/3300	6.51/7.78	230/275	0.649/0.768	16.5/19.5	54.0/60.0	890
FDA2-17251NBH ** F #	115	50/60	0.25/0.21	27.0/25.0	2700/3100	5.95/7.08	210/250	0.551/0.610	14.0/15.5	53.0/59.0	940
FDA2-17251QBH ** F #	230	50/60	0.11/0.12	26.0/27.0	2700/3100	5.95/7.08	210/250	0.551/0.610	14.0/15.5	53.0/59.0	940

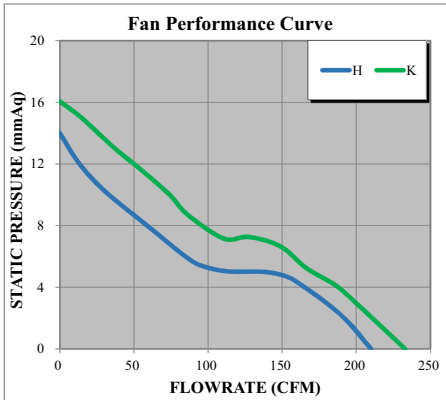
* Indicates "W" (Wire Leads) or "T" (Terminal)

Noise is measured at the distance of one (1) meter from the axis of intake.

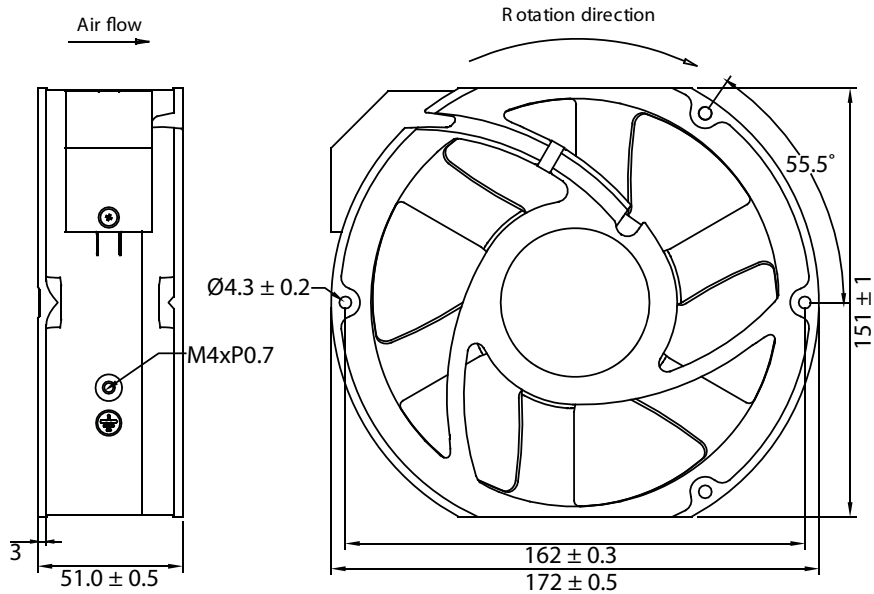
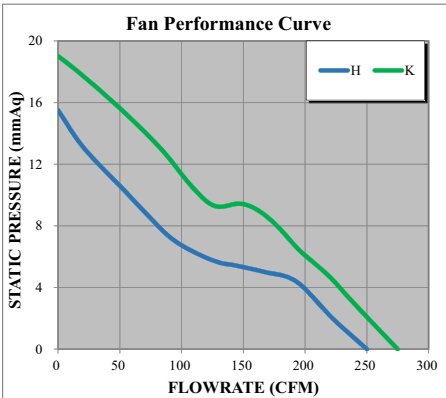
** Indicates "3" (Metal Frame, Plastic Impeller) or "4" (Metal Frame and Impeller)

Indicates "-L" (100,000 Hours Life Expectancy) or Leave Blank (50,000 Hours Life Expectancy)

50Hz



60Hz





Features:

- Motor: External Rotor Capacitor-Run Induction Motor
- Motor Protection: Thermal Protected
- Bearing Type: Two Ball
- Connection: UL 1015 AWG 22, 300mm Wire Leads or Terminal
- Frame Material: Aluminum Alloy
- Impeller Material: Plastic UL94V-0, or Steel
- **IP54 Certified**
- Operating Temp:
Two Ball: -20°C~70°C
- Life Expectancy:
Two Ball: 50,000 Hours
Two Ball: 100,000 Hours (-L)



Fan-S Division



Model No.	Volt.	Freq.	Current	Power	Rated Speed	Maximum AirFlow		Maximum Static Pressure		Noise Level	Weight
	(VAC)	(Hz)	(A)	(W)	(rpm)	(CMM)	(CFM)	(InAq)	(mmAq)	(dB/A)	(g)
FDA2-R17251NBK * ** F #	115	50/60	0.27/0.23	26.0/26.0	2800/3300	6.51/7.65	230/270	0.649/0.787	16.5/20.0	55.0/61.0	1080
FDA2-R17251QBK * ** F #	230	50/60	0.10/0.11	23.0/26.0	2800/3300	6.51/7.65	230/270	0.649/0.787	16.5/20.0	55.0/61.0	1080

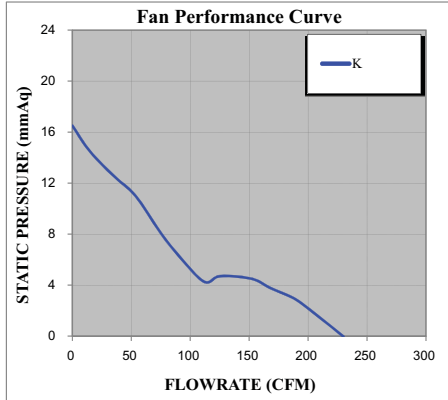
* Indicates "W" (Wire Leads) or "T" (Terminal)

** Indicates "3" (Metal Frame, Plastic Impeller) or "4" (Metal Frame and Impeller)

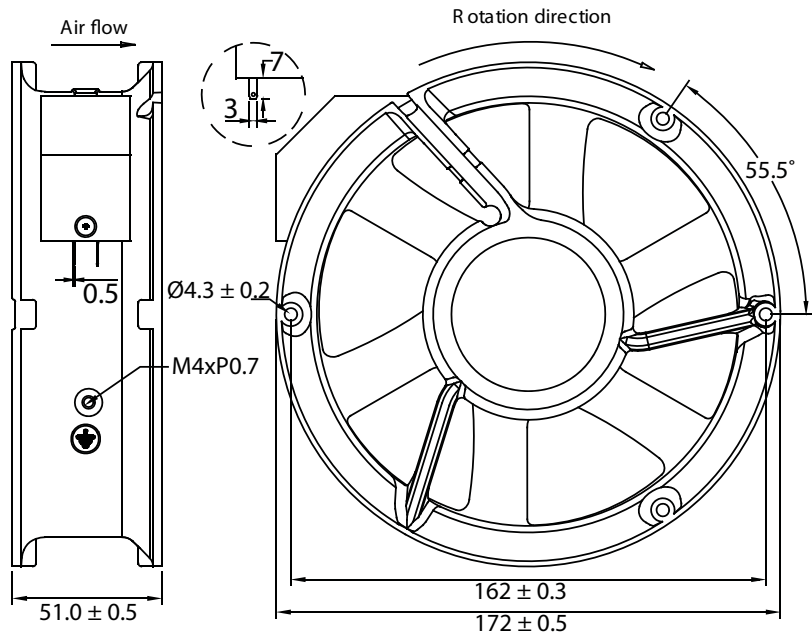
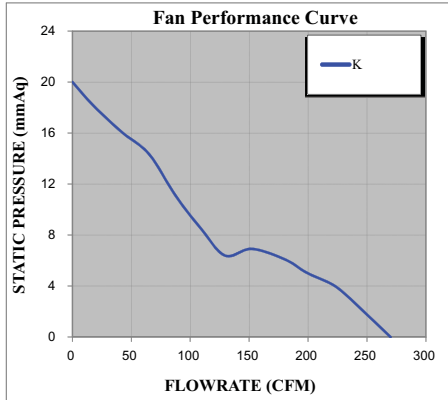
Indicates "-L" (100,000 Hours Life Expectancy) or Leave Blank (50,000 Hours Life Expectancy)

Noise is measured at the distance of one (1) meter from the axis of intake.

50Hz



60Hz





Features:

- Motor: External Rotor Capacitor-Run Induction Motor
- Motor Protection: Thermal Protected
- Bearing Type: Two Ball
- Connection: UL 1015 AWG 22, 360mm Wire Leads or Terminal
- Frame Material: Aluminum Alloy
- Impeller Material: Plastic UL94V-0, or Steel
- **IP54 Certified**
- Operating Temp:
Two Ball: -20°C~70°C
- Life Expectancy:
Two Ball: 50,000 Hours
Two Ball: 100,000 Hours (-L)



Fan-S Division



Model No.	Volt.	Freq.	Current	Power	Rated Speed	Maximum AirFlow		Maximum Static Pressure		Noise Level	Weight
	(VAC)	(Hz)	(A)	(W)	(rpm)	(CMM)	(CFM)	(InAq)	(mmAq)	(dB/A)	(g)
FDA2-17255NBH ** F #	115	50/60	0.25/0.21	27.0/25.0	2700/3100	5.95/6.80	210/240	0.492/0.531	12.5/13.5	57.0/61.0	840
FDA2-17255QBH ** F #	230	50/60	0.11/0.12	26.0/27.0	2700/3100	5.95/6.80	210/240	0.492/0.531	12.5/13.5	57.0/61.0	840

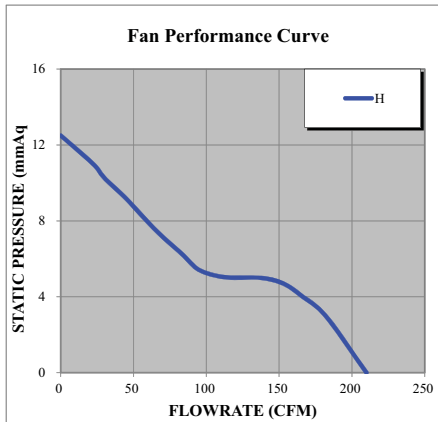
* Indicates "W" (Wire Leads) or "T" (Terminal)

Noise is measured at the distance of one (1) meter from the axis of intake.

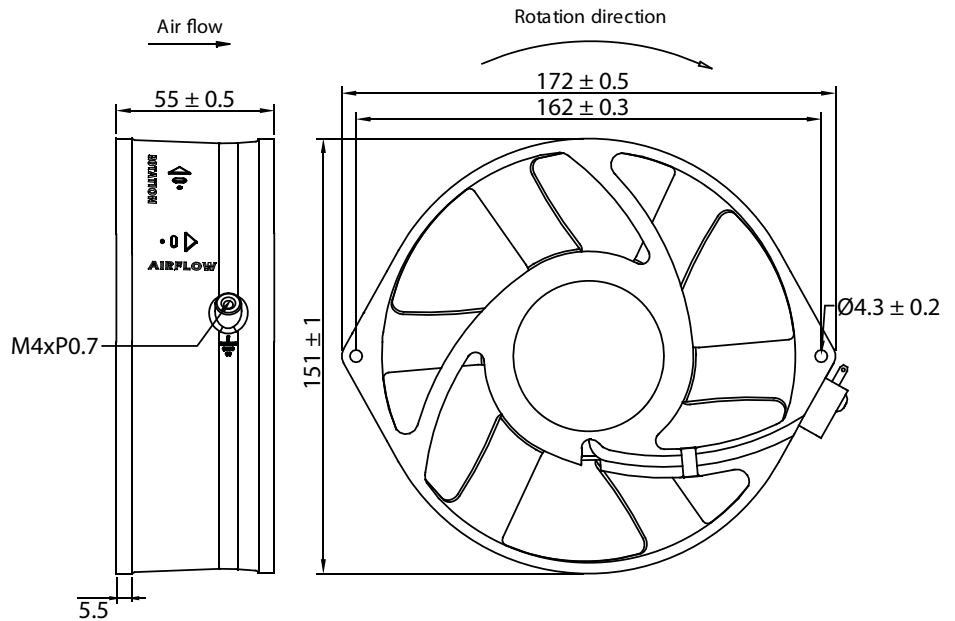
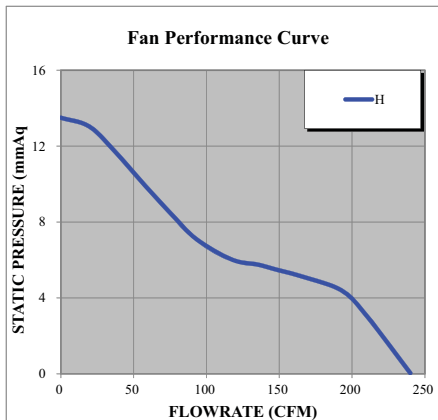
** Indicates "3" (Metal Frame, Plastic Impeller) or "4" (Metal Frame and Impeller)

Indicates "-L" (100,000 Hours Life Expectancy) or Leave Blank (50,000 Hours Life Expectancy)

50Hz



60Hz





Features:

- Motor: Capacitor-Run Induction Motor
- Motor Protection: Thermal Protected
- Bearing Type: Two Ball
- Connection: UL 1015 AWG 20, 300mm Wire Leads or Terminal
- Frame Material: Aluminum Alloy
- Impeller Material: Plastic UL94V-0
- Operating Temp:
Two Ball: -10°C~70°C
- Life Expectancy:
Two Ball: 50,000 Hours



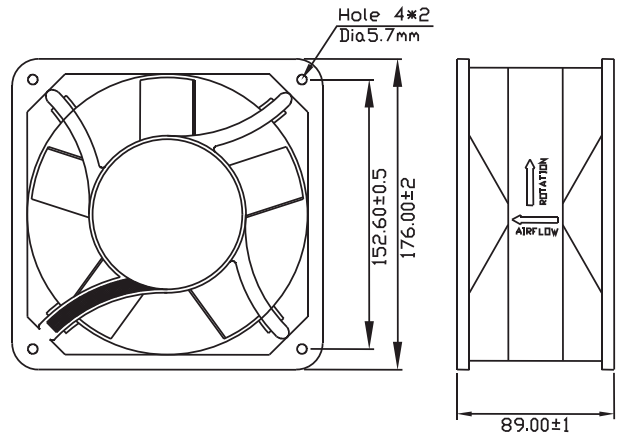
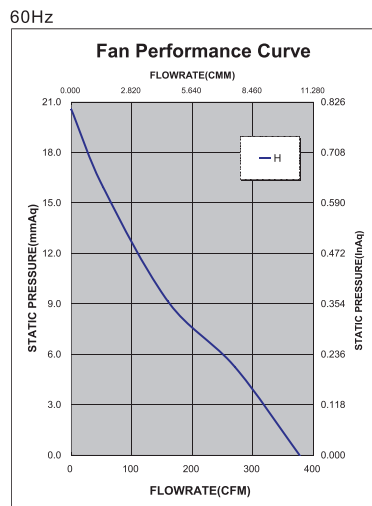
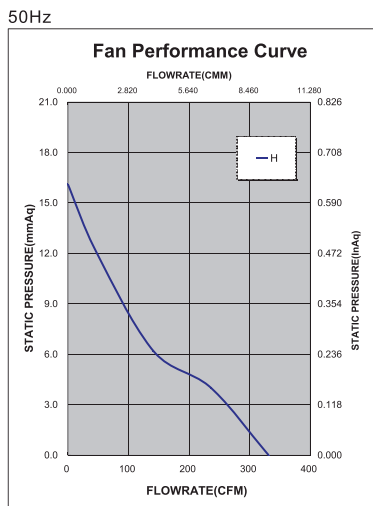
Fan-S Division



Model No.	Volt.	Freq.	Current	Power	Rated Speed	Maximum AirFlow		Maximum Static Pressure		Noise Level	Weight
	(VAC)	(Hz)	(A)	(W)	(rpm)	(CMM)	(CFM)	(InAq)	(mmAq)	(dB/A)	(g)
FKA2-17689NBH ** 3F	115	50/60	0.57/0.48	64.40/52.00	2800/3200	9.339/10.754	330/380	0.640/0.810	16.256/20.574	66.4/70.0	1800
FKA2-17689QBH ** 3F	230	50/60	0.21/0.23	40.90/49.50	2800/3200	9.339/10.754	330/380	0.640/0.810	16.256/20.574	66.4/70.0	1800

** Indicates "W" (Wire Leads) or "T" (Terminal)

Noise is measured at the distance of one (1) meter from the axis of intake.





Features:

- Motor: Capacitor-Run Induction Motor
- Motor Protection: Thermal Protected
- Bearing Type: Two Ball
- Connection: UL 1015 AWG 20, 300mm Wire Leads or Terminal
- Frame Material: Aluminum Alloy
- Impeller Material: Plastic UL94V-0
- Operating Temp:
Two Ball: -10°C~70°C
- Life Expectancy:
Two Ball: 50,000 Hours



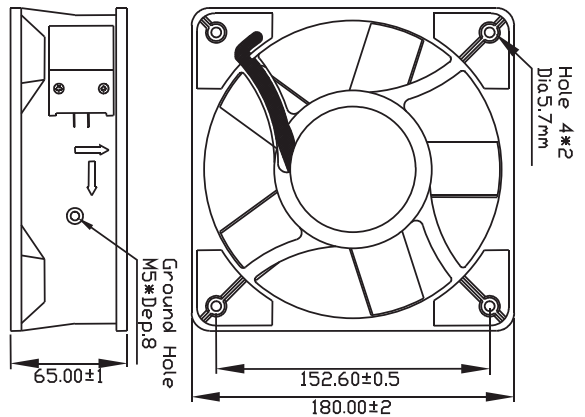
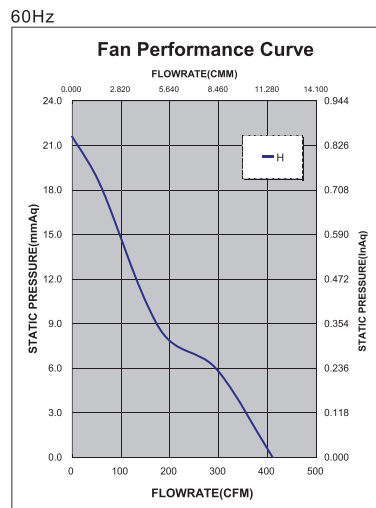
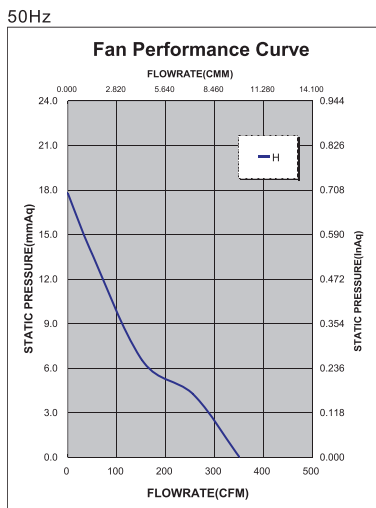
Fan-S Division



Model No.	Volt.	Freq.	Current	Power	Rated Speed	Maximum AirFlow		Maximum Static Pressure		Noise Level	Weight
	(VAC)	(Hz)	(A)	(W)	(rpm)	(CMM)	(CFM)	(InAq)	(mmAq)	(dB/A)	(g)
FKA2-18065NBH** 3F	115	50/60	0.53/0.50	59.80/55.20	2800/3200	9.905/11.603	350/410	0.700/0.850	17.780/21.590	70.0/72.0	1800
FKA2-18065QBH** 3F	230	50/60	0.23/0.24	46.50/51.10	2800/3200	9.905/11.603	350/410	0.700/0.850	17.780/21.590	70.0/72.0	1800

** Indicates "W" (Wire Leads) or "T" (Terminal)

Noise is measured at the distance of one (1) meter from the axis of intake.





Features:

- Motor: Capacitor-Run Induction Motor
- Motor Protection: Thermal Protected
- Bearing Type: Two Ball
- Connection: UL 1015 AWG 20, 300mm Wire Leads or Terminal
- Frame Material: Aluminum Alloy
- Impeller Material: Plastic UL94V-0
- Operating Temp:
Two Ball: -10°C~70°C
- Life Expectancy:
Two Ball: 50,000 Hours



Fan-S Division

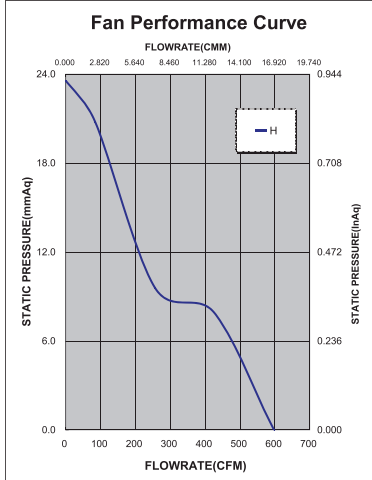


Model No.	Volt.	Freq.	Current	Power	Rated Speed	Maximum AirFlow		Maximum Static Pressure		Noise Level	Weight
	(VAC)	(Hz)	(A)	(W)	(rpm)	(CMM)	(CFM)	(InAq)	(mmAq)	(dB/A)	(g)
FKA2-20572NBH** 3F	115	50/60	0.60/0.88	67.90/100.0	2800/3200	16.98/18.819	600/665	0.930/0.500	23.622/12.700	72.0/75.4	2100
FKA2-20572QBH** 3F	230	50/60	0.32/0.47	63.20/95.20	2800/3200	16.98/18.819	600/665	0.930/0.500	23.622/12.700	72.0/75.4	2100

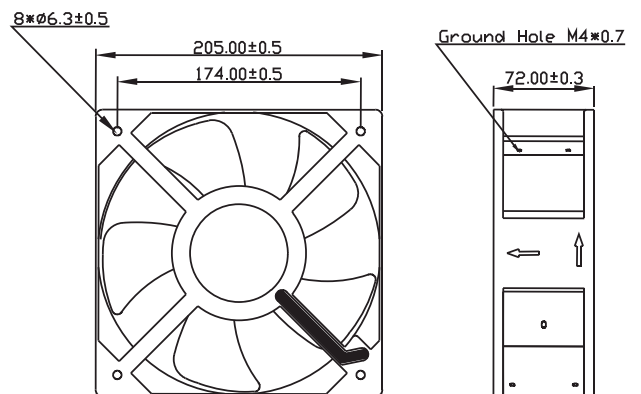
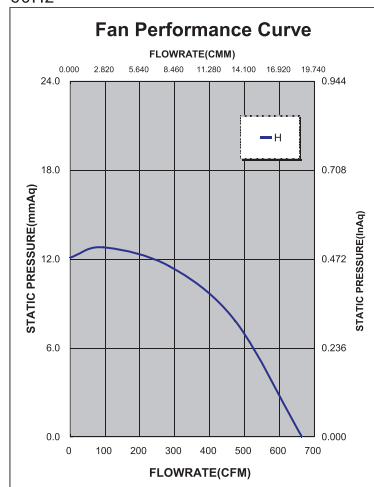
** Indicates "W" (Wire Leads) or "T" (Terminal)

Noise is measured at the distance of one (1) meter from the axis of intake.

50Hz



60Hz





Features:

- Motor: External Rotor Capacitor-Run Induction Motor
- Motor Protection: Thermal Protected
- Bearing Type: Two Ball
- Connection: Terminal Block
- Frame Material: Aluminum Alloy
- Impeller Material: Steel
- **IP54 Certified**
- Operating Temp:
Two Ball: -20°C~70°C
- Life Expectancy:
Two Ball: 50,000 Hours
Two Ball: 100,000 Hours (-L)



Fan-S Division

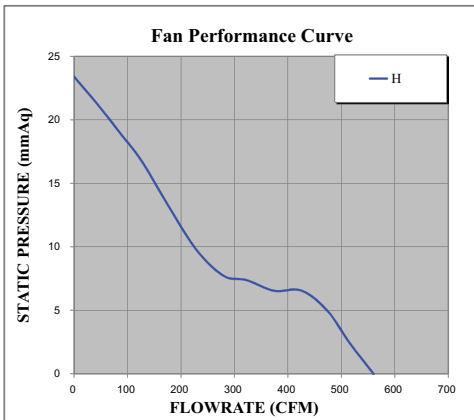


Model No.	Volt.	Freq.	Current	Power	Rated Speed	Maximum AirFlow		Maximum Static Pressure		Noise Level	Weight
	(VAC)	(Hz)	(A)	(W)	(rpm)	(CMM)	(CFM)	(InAq)	(mmAq)	(dB/A)	(g)
FDA2-22580NBHK4F #	115	50/60	0.61/0.62	53.0/68.0	2800/3200	16.4/19.0	580/670	0.925/0.807	23.5/20.5	68.0/71.0	2750
FDA2-22580QBHK4F #	230	50/60	0.26/0.31	53.0/68.0	2800/3200	16.4/19.0	580/670	0.925/0.807	23.5/20.5	68.0/71.0	2750

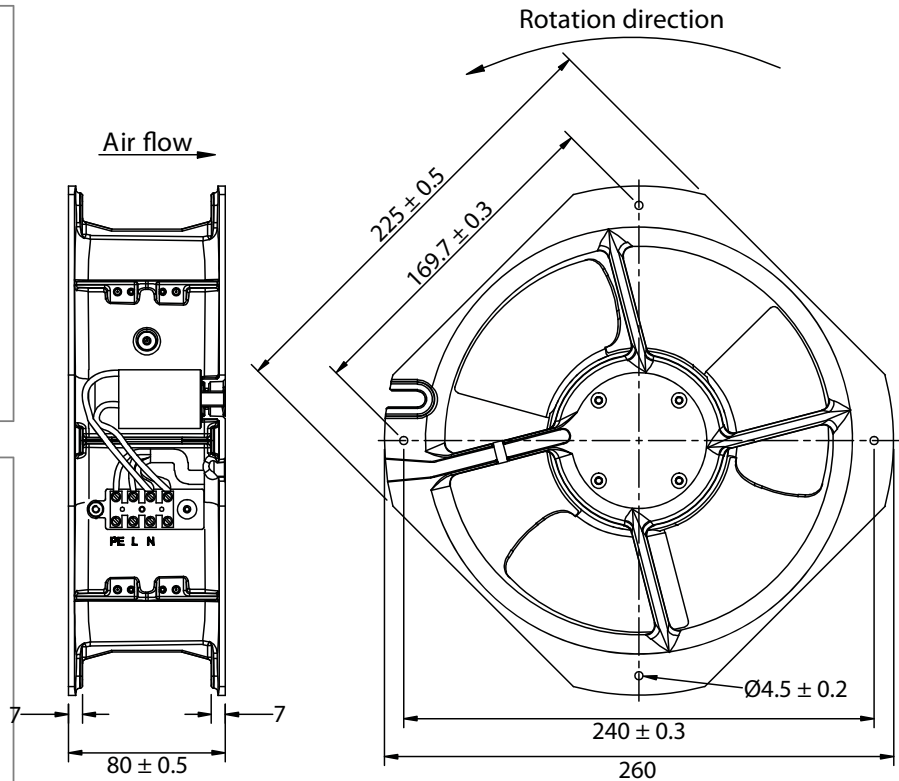
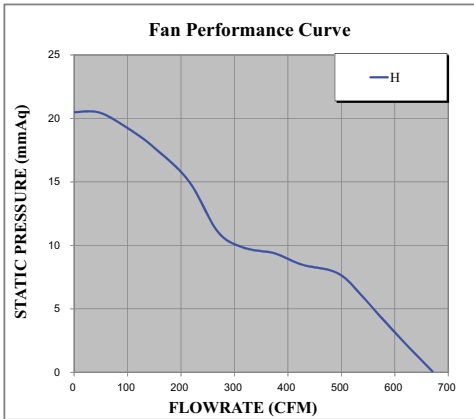
Indicates "-L" (100,000 Hours Life Expectancy) or Leave Blank (50,000 Hours Life Expectancy)

Noise is measured at the distance of one (1) meter from the axis of intake.

50Hz



60Hz





Features:

- Motor: Capacitor-Run Induction Motor
- Motor Protection: Thermal Protected
- Bearing Type: Two Ball
- Connection: UL 1015 AWG 20, 300mm Wire Leads or Terminal
- Frame Material: Aluminum Alloy
- Impeller Material: Plastic UL94V-0
- Operating Temp:
Two Ball: -10°C~70°C
- Life Expectancy:
Two Ball: 50,000 Hours



Fan-S Division

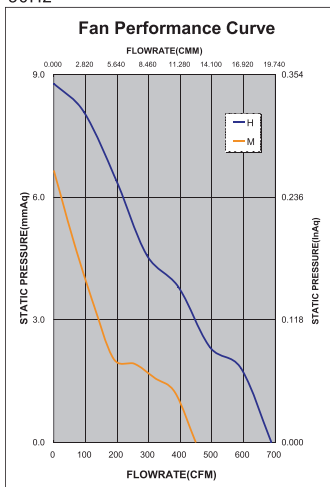


Model No.	Volt.	Freq.	Current	Power	Rated Speed	Maximum AirFlow		Maximum Static Pressure		Noise Level	Weight
	(VAC)	(Hz)	(A)	(W)	(rpm)	(CMM)	(CFM)	(InAq)	(mmAq)	(dB/A)	(g)
FKA2-25489NBH** 3F	115	50/60	0.55/0.62	56.00/67.80	2100/2000	19.244/17.829	680/630	0.346/0.276	8.788/7.010	66.0/62.0	2000
FKA2-25489QBH** 3F	230	50/60	0.26/0.30	55.40/62.80	2100/2000	19.244/17.829	680/630	0.346/0.276	8.788/7.010	66.0/62.0	2000
FKA2-25489NBM** 3F	115	50/60	0.22/0.24	24.20/26.50	1350/1600	12.735/14.999	450/530	0.262/0.322	6.650/8.190	55.6/57.0	2000
FKA2-25489QBM** 3F	230	50/60	0.16/0.14	32.20/28.80	1350/1600	12.735/14.999	450/530	0.262/0.322	6.650/8.190	55.6/57.0	2000

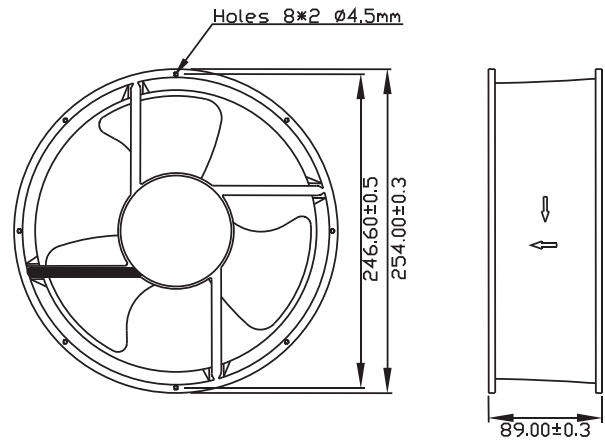
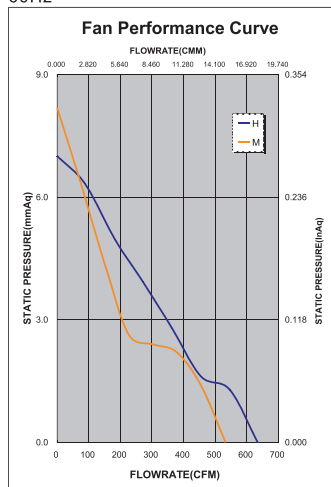
** Indicates "W" (Wire Leads) or "T" (Terminal)

Noise is measured at the distance of one (1) meter from the axis of intake.

50Hz



60Hz





Features:

- Motor: External Rotor Capacitor-Run Induction Motor
- Motor Protection: Thermal Protected
- Bearing Type: Two Ball
- Connection: UL 1015 AWG 22, 300mm Wire Leads or Terminal
- Frame Material: Aluminum Alloy
- Impeller Material: Steel
- **IP54 Certified**
- Operating Temp:
Two Ball: -20°C~70°C
- Life Expectancy:
Two Ball: 50,000 Hours
Two Ball: 100,000 Hours (-L)



Fan-S Division



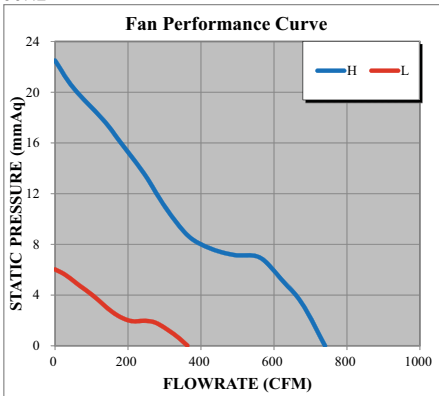
Model No.	Volt.	Freq.	Current	Power	Rated Speed	Maximum AirFlow		Maximum Static Pressure		Noise Level	Weight
	(VAC)	(Hz)	(A)	(W)	(rpm)	(CMM)	(CFM)	(InAq)	(mmAq)	(dB/A)	(g)
FDA2-25489NBH * 4F #	115	50/60	0.58/0.88	66.0/97.0	2800/3200	20.94/24.34	740/860	0.886/0.846	22.5/21.5	66.0/68.0	2750
FDA2-25489QBH * 4F #	230	50/60	0.28/0.42	64.0/92.0	2800/3200	20.94/24.34	740/860	0.886/0.846	22.5/21.5	66.0/68.0	2750
FDA2-25489NBL * 4F #	115	50/60	0.34/0.28	30.0/29.0	1400/1650	9.54/12.45	337/440	0.240/0.307	6.1/7.8	50.0/52.0	2750
FDA2-25489QBL * 4F #	230	50/60	0.17/0.14	32.0/32.0	1400/1650	9.54/12.45	337/440	0.240/0.307	6.1/7.8	50.0/52.0	2750

* Indicates "W" (Wire Leads) or "T" (Terminal)

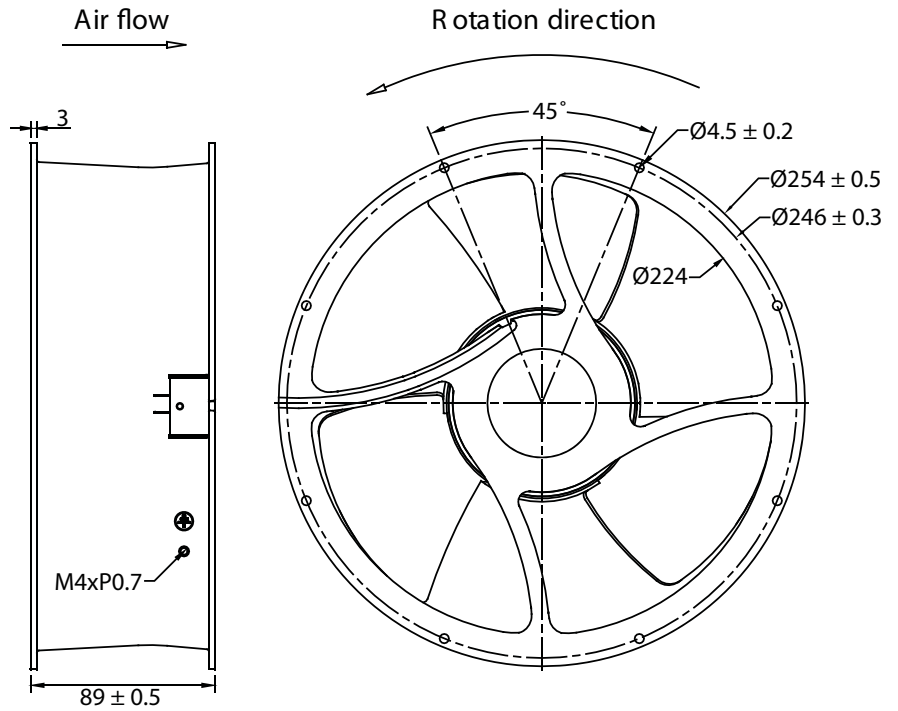
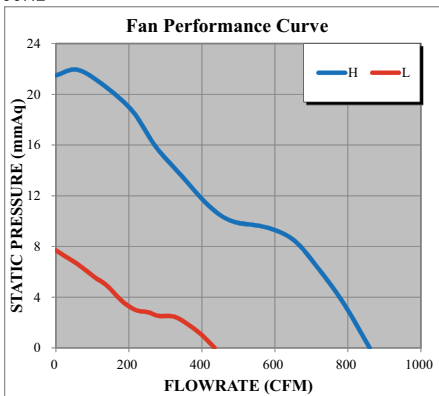
Indicates "-L" (100,000 Hours Life Expectancy) or Leave Blank (50,000 Hours Life Expectancy)

Noise is measured at the distance of one (1) meter from the axis of intake.

50Hz



60Hz





Features:

- Motor: External Rotor Capacitor-Run Induction Motor
- Motor Protection: Thermal Protected
- Bearing Type: Two Ball
- Connection: Terminal Block
- Frame Material: Aluminum Alloy
- Impeller Material: Steel
- **IP54 Certified**
- Operating Temp:
Two Ball: -20°C~70°C
- Life Expectancy:
Two Ball: 50,000 Hours
Two Ball: 100,000 Hours (-L)



Fan-S Division

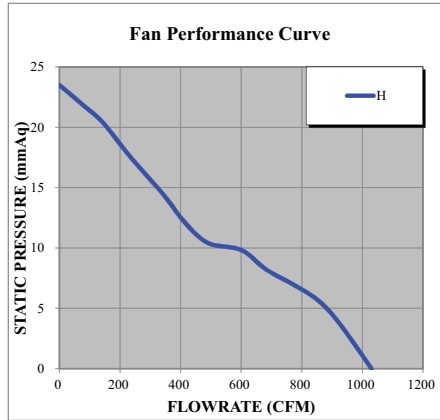


Model No.	Volt.	Freq.	Current	Power	Rated Speed	Maximum AirFlow		Maximum Static Pressure		Noise Level	Weight
	(VAC)	(Hz)	(A)	(W)	(rpm)	(CMM)	(CFM)	(InAq)	(mmAq)	(dB/A)	(g)
FDA2-28080NBHK4F #	115	50/60	0.81/1.20	94.0/136.0	2650/2900	29.15/32.55	1030/1150	0.925/0.807	23.5/20.5	70.0/73.0	3050
FDA2-28080QBHK4F #	230	50/60	0.43/0.63	95.0/138.0	2650/2900	29.15/32.55	1030/1150	0.925/0.807	23.5/20.5	70.0/73.0	3050

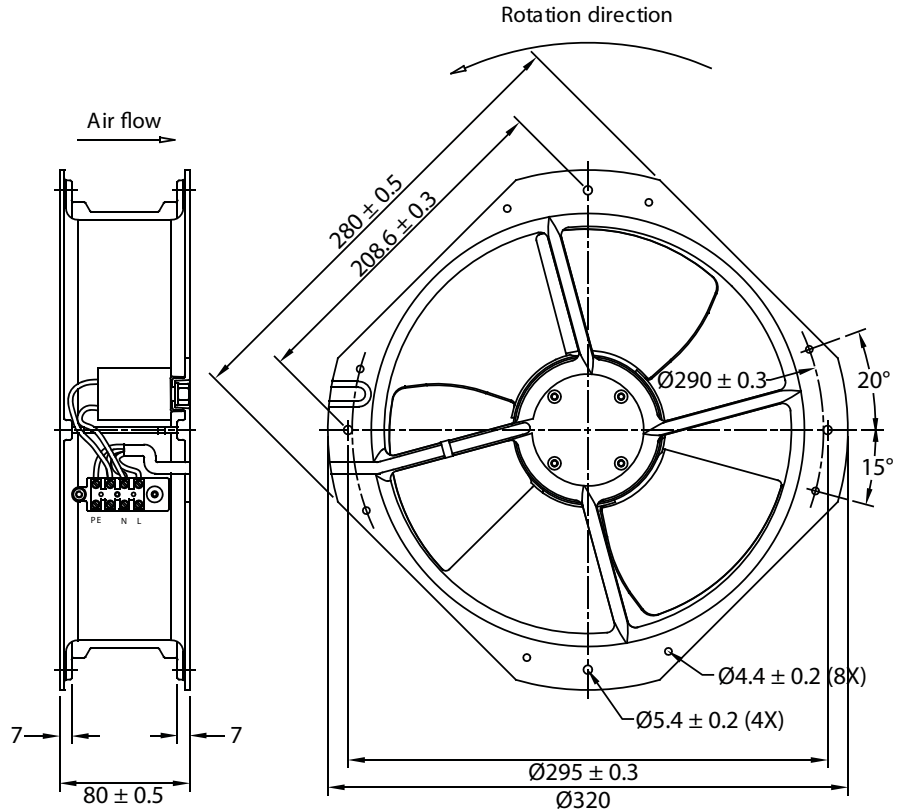
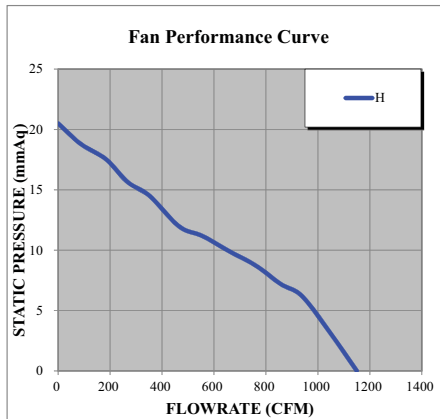
Indicates "L" (100,000 Hours Life Expectancy) or Leave Blank (50,000 Hours Life Expectancy)

Noise is measured at the distance of one (1) meter from the axis of intake.

50Hz



60Hz





Features:

- Motor: Capacitor-Run Induction Motor
- Motor Protection: Thermal Protected
- Bearing Type: Two Ball
- Connection: UL 1430 AWG 22, 300mm Wire Leads or Terminal
- Frame Material: Aluminum Alloy
- Impeller Material: Plastic UL94V-0
- Operating Temp:
Two Ball: -10°C~70°C
- Life Expectancy:
Two Ball: 50,000 Hours



Fan-S Division

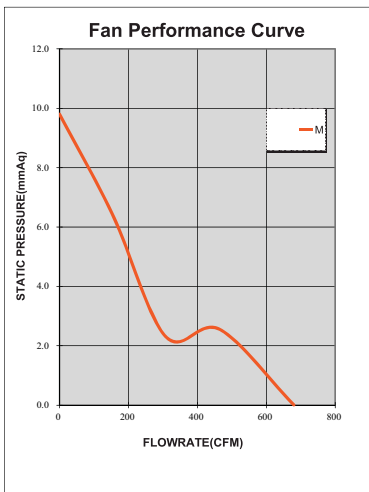


Model No.	Volt.	Freq.	Current	Power	Rated Speed	Maximum AirFlow		Maximum Static Pressure		Noise Level	Weight
	(VAC)	(Hz)	(A)	(W)	(rpm)	(CMM)	(CFM)	(InAq)	(mmAq)	(dB/A)	(g)
FKA2-28089NBM** 3F	115	50/60	0.82/0.67	61.0/60.0	1500/1700	19.2/22.9	680/810	0.39/0.50	9.8/12.8	56.0/59.0	3500
FKA2-28089QBM** 3F	230	50/60	0.42/0.35	62.0/65.0	1500/1700	19.2/22.9	680/810	0.39/0.50	9.8/12.8	56.0/59.0	3500

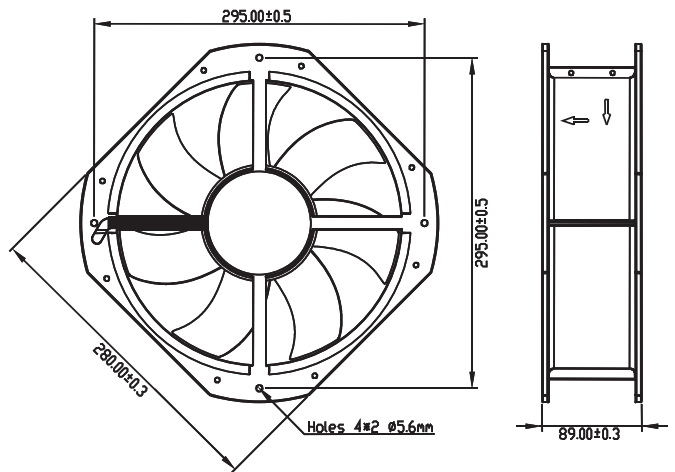
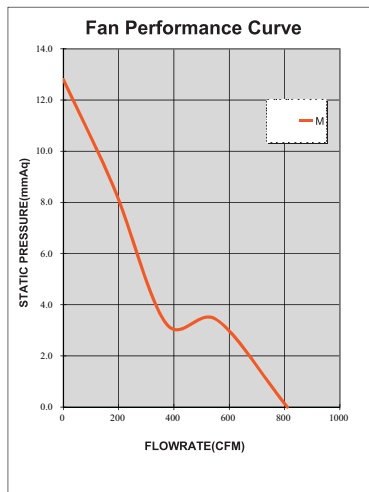
** Indicates "W" (Wire Leads) or "T" (Terminal)

Noise is measured at the distance of one (1) meter from the axis of intake.

50Hz



60Hz





Features:

- Motor: Capacitor-Run Induction Motor
- Motor Protection: Thermal Protected
- Bearing Type: Two Ball
- Connection: UL 1430 AWG 22, 300mm Wire Leads or Terminal
- Frame Material: Aluminum Alloy
- Impeller Material: Plastic UL94V-0
- Operating Temp:
Two Ball: -10°C~70°C
- Life Expectancy:
Two Ball: 50,000 Hours



Fan-S Division

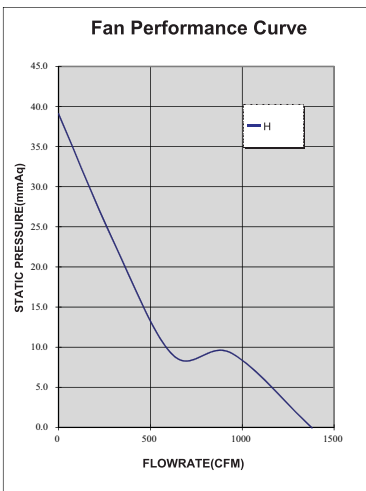


Model No.	Volt.	Freq.	Current	Power	Rated Speed	Maximum AirFlow		Maximum Static Pressure		Noise Level	Weight
	(VAC)	(Hz)	(A)	(W)	(rpm)	(CMM)	(CFM)	(InAq)	(mmAq)	(dB/A)	(g)
FKA2-28089NBH ** 3F-A	115	50/60	1.70/2.84	185.0/300.0	2800/3200	39.1/41.9	1380/1480	1.30/0.94	33.0/24.0	73.0/75.0	3500
FKA2-28089QBH ** 3F-A	230	50/60	0.80/1.29	185.0/290.0	2800/3200	39.1/41.9	1380/1480	1.30/0.94	33.0/24.0	73.0/75.0	3500

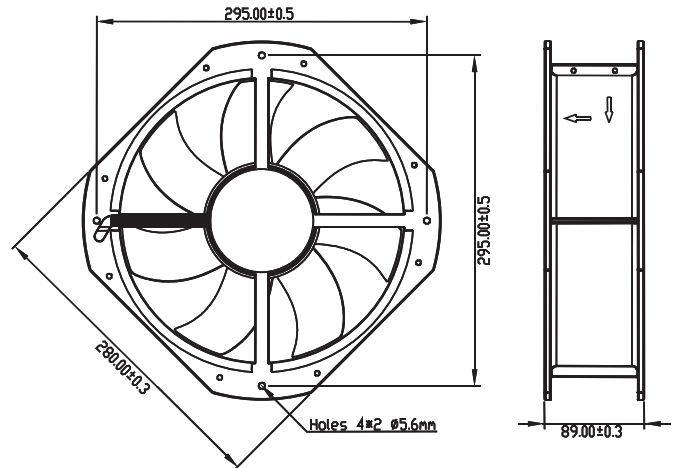
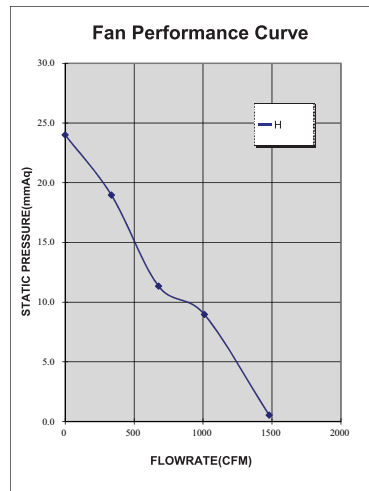
** Indicates "W" (Wire Leads) or "T" (Terminal)

Noise is measured at the distance of one (1) meter from the axis of intake.

50Hz



60Hz



DC AXIAL FANS

- Size: 25mm - 172mm
- Bearing Type: 2-ball, 1-ball 1-sleeve, sleeve & hydro dynamic
- Voltage: 3.3 - 60 VDC
- Motor Types: brushless DC
- Electrical Connection: wire leads, value added terminals
- Alarm, locked rotor, PWM control functions available
- Custom design and configurations available





Features:

- Motor: Brushless DC
- Motor Protection: Impedance Protected
- Bearing Type: Two Ball, or Hydro Dynamic
- Connection: UL 1571 AWG 28, 140mm Wire Leads
- Frame Material: Plastic UL94V-0
- Impeller Material: Plastic UL94V-0
- Operating Temp:
 - Two Ball: -10°C~70°C
 - Hydro Dynamic: -10°C~70°C
- Life Expectancy:
 - Two Ball: 70,000 Hours
 - Hydro Dynamic: 50,000 Hours



Fan-S Division

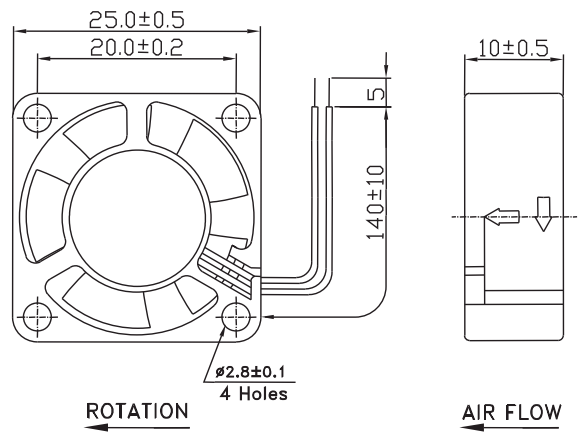
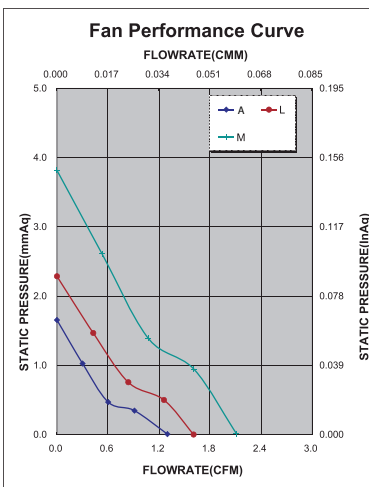


Model No.	Volt.	Current	Power	Rated Speed	Maximum AirFlow		Maximum Static Pressure		Noise Level	Weight
	(VDC)	(A)	(W)	(rpm)	(CMM)	(CFM)	(InAq)	(mmAq)	(dB/A)	(g)
FAD1-02510B * LW11	5	0.080	0.40	8000	0.045	1.600	0.090	2.286	18.3	8.0
FAD1-02510B * MW11	5	0.079	0.50	10000	0.059	2.100	0.150	3.810	23.0	8.0
FAD1-02510C * LW11	12	0.045	0.84	8000	0.045	1.600	0.090	2.286	18.3	8.0
FAD1-02510C * MW11	12	0.058	0.72	10000	0.059	2.100	0.150	3.810	23.0	8.0

* Indicates "B" (Ball Bearing), or "H" (Hydro Dynamic)

Noise is measured at the distance of one (1) meter from the axis of intake.

Note: FAD1-02510CBLW11, FAD1-02510CHLW11, and FAD1-02510CHMW11 do not have TUV approval





Features:

- Motor: Brushless DC
- Motor Protection: Impedance Protected
- Bearing Type: Two Ball, or Hydro Dynamic
- Connection: UL 1571 AWG 28, 140mm Wire Leads
- Frame Material: Plastic UL94V-0
- Impeller Material: Plastic UL94V-0
- Operating Temp:
 - Two Ball: -10°C~70°C
 - Hydro Dynamic: -10°C~70°C
- Life Expectancy:
 - Two Ball: 70,000 Hours
 - Hydro Dynamic: 50,000 Hours



Fan-S Division

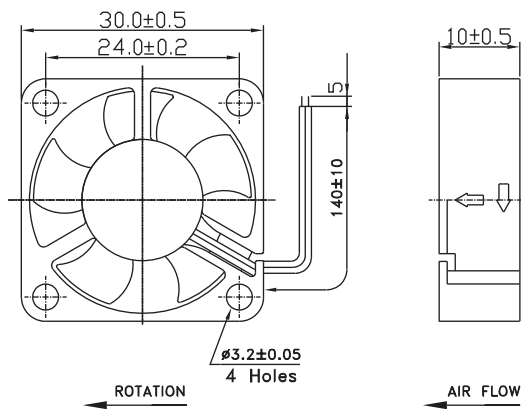
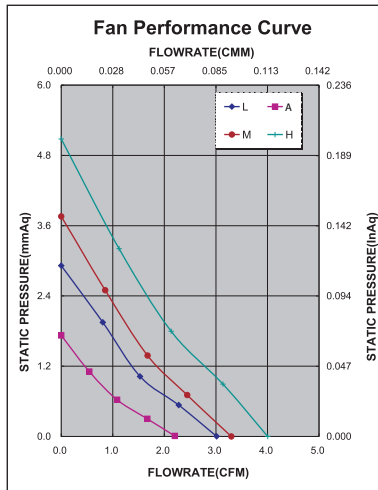


Model No.	Volt.	Current	Power	Rated Speed	Maximum AirFlow		Maximum Static Pressure		Noise Level	Weight
	(VDC)	(A)	(W)	(rpm)	(CMM)	(CFM)	(InAq)	(mmAq)	(dB/A)	(g)
FAD1-03010B *AW11	5	0.045	0.225	6000	0.062	2.200	0.068	1.727	19.0	8.0
FAD1-03010B *LW11	5	0.070	0.350	8000	0.084	3.000	0.115	2.921	26.0	8.0
FAD1-03010B *MW11	5	0.102	0.510	9000	0.093	3.300	0.148	3.759	30.0	8.0
FAD1-03010B *HW11	5	0.095	0.475	10500	0.113	4.000	0.200	5.080	34.0	8.0
FAD1-03010C *AW11	12	0.035	0.420	6000	0.062	2.200	0.068	1.727	19.0	8.0
FAD1-03010C *LW11	12	0.050	0.600	8000	0.084	3.000	0.115	2.921	26.0	8.0
FAD1-03010C *MW11	12	0.045	0.540	9000	0.093	3.300	0.148	3.759	30.0	8.0
FAD1-03010C *HW11	12	0.053	0.636	10500	0.113	4.000	0.200	5.080	34.0	8.0

* Indicates "B" (Ball Bearing), or "H" (Hydro Dynamic)

Noise is measured at the distance of one (1) meter from the axis of intake.

Note 1: FAD1-03010BBAW11, FAD1-03010BBHW11, FAD1-03010BBMW11, FAD1-03010BBHW11, FAD1-03010BBHW11, FAD1-03010BBHW11, FAD1-03010CBAW11, FAD1-03010CHAW11, FAD1-03010CBMW11, FAD1-03010CHMW11 has UL approvals only





Features:

- Motor: Brushless DC
- Motor Protection: Impedance Protected
- Bearing Type: Two Ball or Hydro Dynamic
- Connection: UL 1007 AWG 26, 300mm Wire Leads
- Frame Material: Plastic UL94V-0
- Impeller Material: Plastic UL94V-0
- Operating Temp:
 - Two Ball: -10°C~70°C
 - Hydro Dynamic: -10°C~70°C
- Life Expectancy:
 - Two Ball: 70,000 Hours
 - Hydro Dynamic: 50,000 Hours



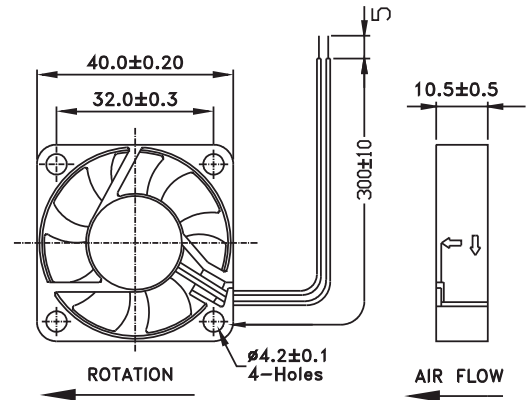
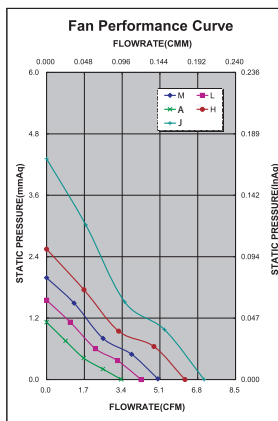
Fan-S Division



Model No.	Volt.	Current	Power	Rated Speed	Maximum AirFlow		Maximum Static Pressure		Noise Level	Weight
	(VDC)	(A)	(W)	(rpm)	(CMM)	(CFM)	(InAq)	(mmAq)	(dB/A)	(g)
FAD1-04010B * LW11	5	0.070	0.35	4200	0.119	4.200	0.060	1.524	21.0	17.0
FAD1-04010B * MW11	5	0.110	0.55	4800	0.142	5.000	0.078	1.981	22.0	17.0
FAD1-04010B * HW11	5	0.160	0.80	6000	0.175	6.200	0.100	2.540	26.0	17.0
FAD1-04010C * AW11	12	0.040	0.48	3300	0.093	3.300	0.044	1.117	14.0	17.0
FAD1-04010C * LW11	12	0.060	0.72	4200	0.119	4.200	0.060	1.524	21.0	17.0
FAD1-04010C * MW11	12	0.060	0.72	4800	0.142	5.000	0.078	1.981	22.0	17.0
FAD1-04010C * HW11	12	0.090	1.08	6000	0.175	6.200	0.100	2.540	26.0	17.0
FAD1-04010C * JW11	12	0.090	1.08	6800	0.198	7.000	0.170	4.318	29.0	17.0
FAD1-04010D * LW11	24	0.030	0.72	4200	0.119	4.200	0.060	1.524	21.0	17.0
FAD1-04010D * MW11	24	0.040	0.96	4800	0.142	5.000	0.078	1.981	22.0	17.0
FAD1-04010D * HW11	24	0.060	1.44	6000	0.175	6.200	0.100	2.540	26.0	17.0

* Indicates "B" (Ball Bearing), or "H" (Hydro Dynamic)

Noise is measured at the distance of one (1) meter from the axis of intake.





Features:

- Motor: Brushless DC
- Motor Protection: Impedance Protected
- Bearing Type: Two Ball, Sleeve, or Hydro Dynamic
- Connection: UL 1007 AWG 26, 295mm Wire Leads
- Frame Material: Plastic UL94V-0
- Impeller Material: Plastic UL94V-0
- Operating Temp:
 - Two Ball: -10°C~70°C
 - Sleeve: -10°C~60°C
 - Hydro Dynamic: -10°C~70°C
- Life Expectancy:
 - Two Ball: 70,000 Hours
 - Sleeve: 30,000 Hours
 - Hydro Dynamic: 50,000 Hours



Fan-S Division



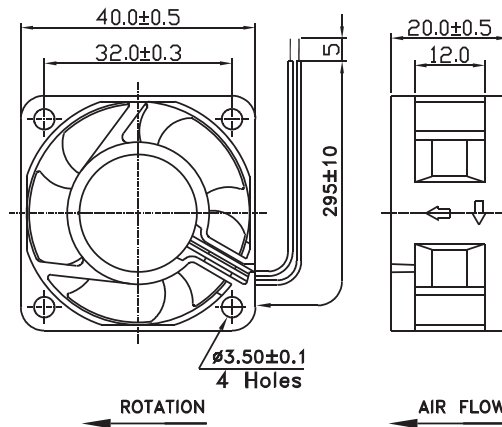
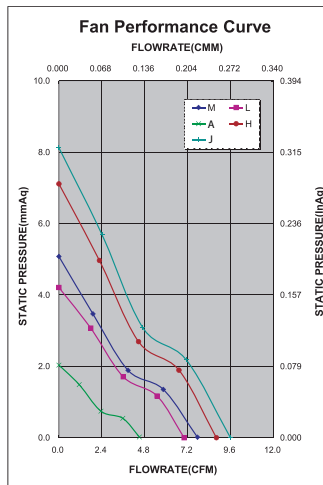
Model No.	Volt.	Current	Power	Rated Speed	Maximum AirFlow		Maximum Static Pressure		Noise Level	Weight
	(VDC)	(A)	(W)	(rpm)	(CMM)	(CFM)	(InAq)	(mmAq)	(dB/A)	(g)
FAD1-04020B * AW11	5	0.09	0.45	4200	0.127	4.489	0.080	2.032	17.5	28.0
FAD1-04020B * LW11	5	0.14	0.70	6200	0.198	6.999	0.165	4.191	30.0	28.0
FAD1-04020B * MW11	5	0.16	0.80	6900	0.219	7.741	0.200	5.080	33.0	28.0
FAD1-04020B * HW11	5	0.25	1.25	7800	0.249	8.802	0.280	7.112	36.0	28.0
FAD1-04020C * AW11	12	0.04	0.48	4200	0.127	4.489	0.080	2.032	17.5	28.0
FAD1-04020C * LW11	12	0.07	0.84	6200	0.198	6.999	0.165	4.191	30.0	28.0
FAD1-04020C * MW11	12	0.08	0.96	6900	0.219	7.741	0.200	5.080	33.0	28.0
FAD1-04020C * HW11	12	0.10	1.20	7800	0.249	8.802	0.280	7.112	36.0	28.0
FAD1-04020C * JW11	12	0.14	1.68	8500	0.271	9.579	0.320	8.128	37.5	28.0
FAD1-04020D * AW11	24	0.14	1.68	4200	0.127	4.489	0.080	2.032	17.5	28.0
FAD1-04020D * LW11	24	0.05	1.20	6200	0.198	6.999	0.165	4.191	30.0	28.0
FAD1-04020D * MW11	24	0.06	1.44	6900	0.219	7.741	0.200	5.080	33.0	28.0
FAD1-04020D * HW11	24	0.07	1.68	7800	0.249	8.802	0.280	7.112	36.0	28.0

* Indicates "B" (Ball Bearing), "S" (Sleeve), or "H" (Hydro Dynamic)

Noise is measured at the distance of one (1) meter from the axis of intake.

Note 1: FAD1-04020BBAW11, FAD1-04020DBAW11, FAD1-04020BSAW11, FAD1-04020DSAW11, FAD1-04020BHAW11, FAD1-04020DHAW11 has no approvals.

Note 2: FAD1-04020CBAW11, FAD1-04020CSAW11, FAD1-04020CHAW11 has CE and TUV approvals only





Features:

- Motor: Brushless DC
- Motor Protection: Impedance Protected
- Bearing Type: Two Ball or Hydro Dynamic
- Connection: UL 1007 AWG 26, 290mm Wire Leads
- Frame Material: Plastic UL94V-0
- Impeller Material: Plastic UL94V-0
- Operating Temp:
 - Two Ball: -10°C~70°C
 - Hydro Dynamic: -10°C~70°C
- Life Expectancy:
 - Two Ball: 70,000 Hours
 - Hydro Dynamic: 50,000 Hours



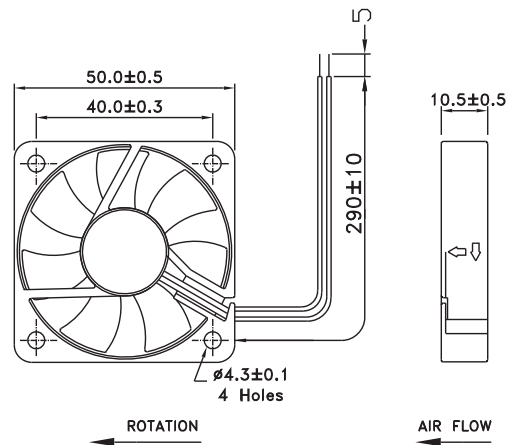
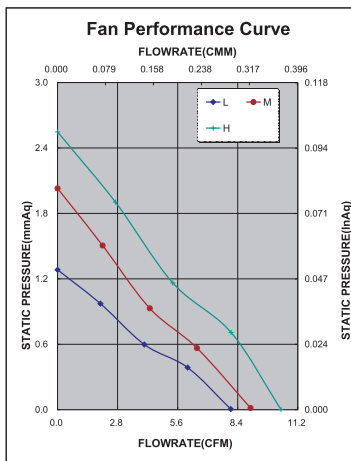
Fan-S Division



Model No.	Volt.	Current	Power	Rated Speed	Maximum AirFlow		Maximum Static Pressure		Noise Level	Weight
	(VDC)	(A)	(W)	(rpm)	(CMM)	(CFM)	(InAq)	(mmAq)	(dB/A)	(g)
FAD1-05010B * LW11	5	0.10	0.45	3700	0.226	8.000	0.050	1.270	20.0	18.0
FAD1-05010B * MW11	5	0.13	0.65	4300	0.254	9.000	0.080	2.030	24.0	18.0
FAD1-05010B * HW11	5	0.22	1.10	5000	0.291	10.300	0.100	2.540	27.5	18.0
FAD1-05010C * LW11	12	0.08	0.96	3700	0.226	8.000	0.050	1.270	20.0	18.0
FAD1-05010C * MW11	12	0.10	1.20	4300	0.254	9.000	0.080	2.030	24.0	18.0
FAD1-05010C * HW11	12	0.12	1.44	5000	0.291	10.300	0.100	2.540	27.5	18.0
FAD1-05010D * LW11	24	0.05	1.20	3700	0.226	8.000	0.050	1.270	20.0	18.0
FAD1-05010D * MW11	24	0.06	1.44	4300	0.254	9.000	0.080	2.030	24.0	18.0
FAD1-05010D * HW11	24	0.08	1.92	5000	0.291	10.300	0.100	2.540	27.5	18.0

* Indicates "B" (Ball Bearing), or "H" (Hydro Dynamic)

Noise is measured at the distance of one (1) meter from the axis of intake.





Features:

- Motor: Brushless DC
- Motor Protection: Impedance Protected
- Bearing Type: Two Ball, Sleeve, or Hydro Dynamic
- Connection: UL 1007 AWG 26, 320mm Wire Leads
- Frame Material: Plastic UL94V-0
- Impeller Material: Plastic UL94V-0
- Operating Temp:
 - Two Ball: -10°C~70°C
 - Sleeve: -10°C~60°C
 - Hydro Dynamic: -10°C~70°C
- Life Expectancy:
 - Two Ball: 70,000 Hours
 - Sleeve: 30,000 Hours
 - Hydro Dynamic: 50,000 Hours



Fan-S Division



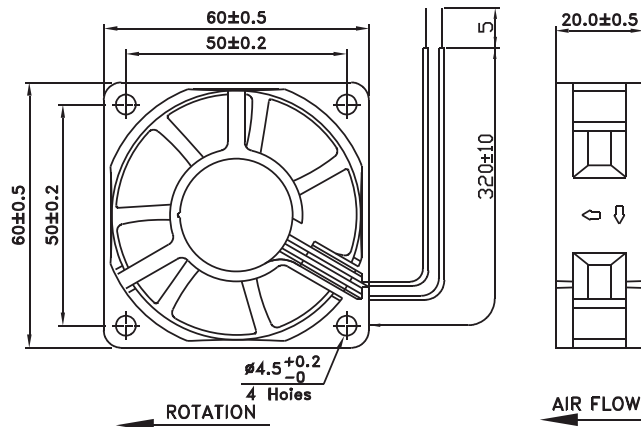
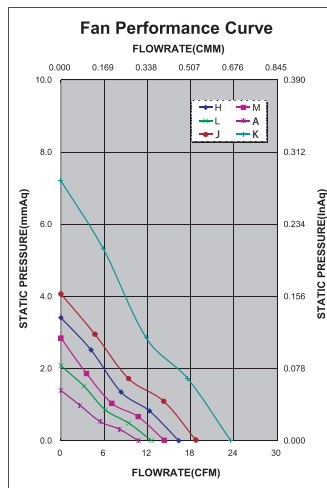
Model No.	Volt.	Current	Power	Rated Speed	Maximum AirFlow		Maximum Static Pressure		Noise Level	Weight
	(VDC)	(A)	(W)	(rpm)	(CMM)	(CFM)	(InAq)	(mmAq)	(dB/A)	(g)
FAD1-06020B * AW11	5	0.07	0.35	3000	0.303	10.741	0.054	1.371	18.4	49.0
FAD1-06020B * LW11	5	0.12	0.60	3500	0.353	12.502	0.082	2.082	23.5	49.0
FAD1-06020B * MW11	5	0.16	0.80	3900	0.404	14.279	0.112	2.844	28.0	49.0
FAD1-06020B * HW11	5	0.18	0.90	4600	0.461	16.459	0.140	3.403	31.0	49.0
FAD1-06020C * AW11	12	0.05	0.60	3000	0.303	10.741	0.054	1.371	18.4	49.0
FAD1-06020C * LW11	12	0.06	0.72	3500	0.353	12.502	0.082	2.082	23.5	49.0
FAD1-06020C * MW11	12	0.08	0.96	3900	0.404	14.279	0.112	2.844	28.0	49.0
FAD1-06020C * HW11	12	0.10	1.44	4600	0.461	16.459	0.140	3.403	31.0	49.0
FAD1-06020C * JW11	12	0.13	1.56	5100	0.529	18.928	0.183	4.064	35.5	49.0
FAD1-06020C * KW11	12	0.20	2.40	6100	0.666	23.554	0.283	7.188	39.0	49.0
FAD1-06020D * MW11	24	0.04	0.96	3900	0.404	14.279	0.112	2.844	28.0	49.0
FAD1-06020D * HW11	24	0.05	1.44	4600	0.461	16.459	0.140	3.403	31.0	49.0

* Indicates "B" (Ball Bearing), "S" (Sleeve), or "H" (Hydro Dynamic)

Noise is measured at the distance of one (1) meter from the axis of intake.

Note 1: FAD1-06020BBAW11, FAD1-06020BSAW11, FAD1-06020BHAW11, FAD1-06020CBKW11, FAD1-06020CSKW11, FAD1-06020CHKW11 has no approvals.

Note 2: FAD1-06020CHLW11, FAD1-06020DBMW11, FAD1-06020DSMW11 has UL and cUL approvals only





Features:

- Motor: Brushless DC
- Motor Protection: IC
- Bearing Type: Two Ball or Hydro Dynamic
- Connection: UL 1061 AWG 26, 320mm Wire Leads
- Frame Material: Plastic UL94V-0
- Impeller Material: Plastic UL94V-0
- Operating Temp:
 - Two Ball: -10°C~70°C
 - Hydro Dynamic: -10°C~70°C
- Life Expectancy:
 - Two Ball: 70,000 Hours (40°C)
 - Hydro Dynamic: 40,000 Hours (40°C)



Fan-S Division



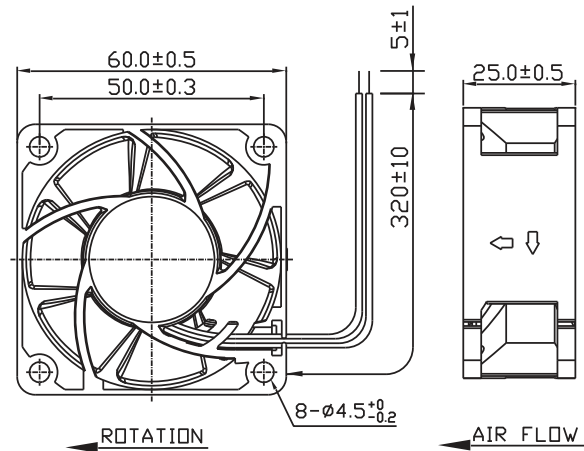
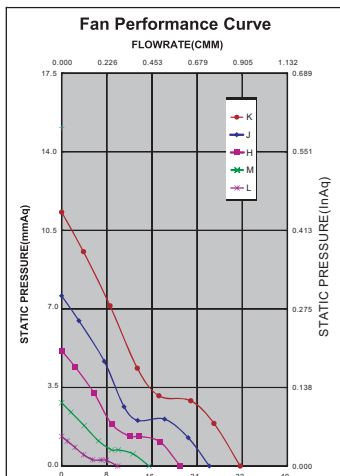
Model No.	Volt.	Current	Power	Rated Speed	Maximum AirFlow		Maximum Static Pressure		Noise Level	Weight
	(VDC)	(A)	(W)	(rpm)	(CMM)	(CFM)	(InAq)	(mmAq)	(dB/A)	(g)
FAD1-06025B * LW1 ** -A	5	0.20	1.00	2500	0.361	12.782	0.080	2.032	18.9	62.0
FAD1-06025B * MW1 ** -A	5	0.35	1.75	3500	0.506	17.900	0.152	3.860	28.1	62.0
FAD1-06025B * HW1 ** -A	5	0.35	1.75	4500	0.661	23.366	0.252	6.400	33.1	62.0
FAD1-06025C * LW1 ** -A	12	0.10	1.20	2500	0.361	12.782	0.080	2.032	18.9	62.0
FAD1-06025C * MW1 ** -A	12	0.13	1.56	3500	0.506	17.900	0.152	3.860	28.1	62.0
FAD1-06025C * HW1 ** -A	12	0.23	2.76	4500	0.661	23.366	0.252	6.400	33.1	62.0
FAD1-06025C * JW1 ** -A	12	0.23	2.76	5000	0.740	26.178	0.298	7.569	38.4	62.0
FAD1-06025CBKW1 ** -A	12	0.32	3.84	6000	0.895	31.643	0.445	11.303	42.7	62.0
FAD1-06025D * LW1 ** -A	24	0.06	0.72	2500	0.361	12.782	0.080	2.032	18.9	62.0
FAD1-06025D * MW1 ** -A	24	0.09	2.16	3500	0.506	17.900	0.152	3.860	28.1	62.0
FAD1-06025D * HW1 ** -A	24	0.12	2.88	4500	0.661	23.366	0.252	6.400	33.1	62.0
FAD1-06025D * JW1 ** -A	24	0.12	2.88	5000	0.740	26.178	0.298	7.569	38.4	62.0

* Indicates "B" (Ball Bearing), or "H" (Hydro Dynamic)

Noise is measured at the distance of one (1) meter from the axis of intake.

** Indicates "2" (No Special Function), "3" (Alarm), "4" (Speed Sensor), "9" (PWM), or "B" (PWM + Speed Sensor)

Part Number Example: FAD1-06025CBMW12-A (Ball Bearing fan with no Special Function)





Features:

- Motor: Brushless DC
- Motor Protection: IC
- Bearing Type: Two Ball, Sleeve, or Hydro Dynamic
- Connection: UL 1007 AWG 24, 300mm Wire Leads
- Frame Material: Plastic UL94V-0
- Impeller Material: Plastic UL94V-0
- Operating Temp:
 - Two Ball: -10°C~70°C
 - Sleeve: -10°C~60°C
 - Hydro Dynamic: -10°C~70°C
- Life Expectancy:
 - Two Ball: 70,000 Hours
 - Sleeve: 30,000 Hours
 - Hydro Dynamic: 50,000 Hours



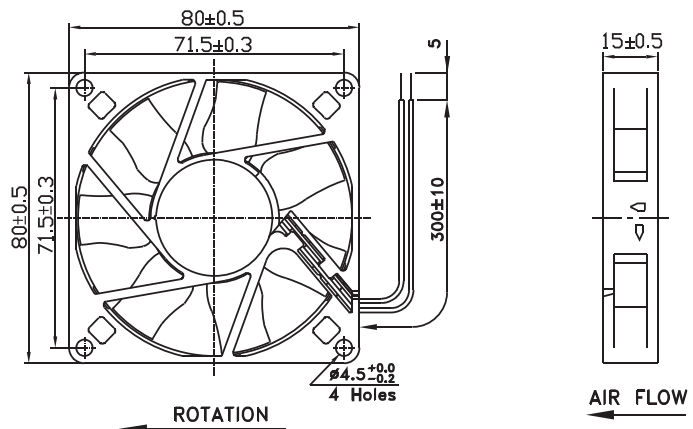
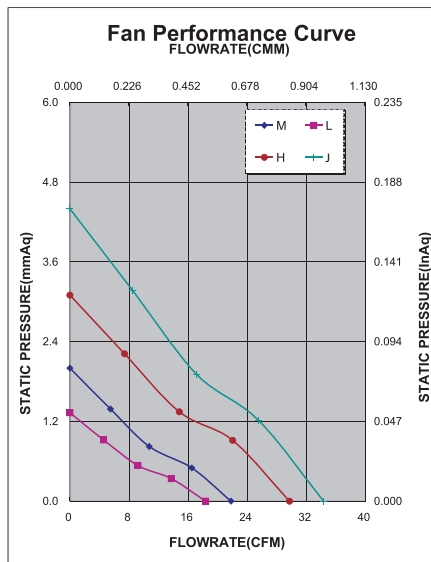
Fan-S Division



Model No.	Volt.	Current	Power	Rated Speed	Maximum AirFlow		Maximum Static Pressure		Noise Level	Weight
	(VDC)	(A)	(W)	(rpm)	(CMM)	(CFM)	(InAq)	(mmAq)	(dB/A)	(g)
FAD1-08015B * MW12	5	0.13	0.65	2440	0.617	21.805	0.078	1.981	24.9	62.0
FAD1-08015B * HW12	5	0.22	1.10	3200	0.841	29.722	0.122	3.098	34.4	62.0
FAD1-08015C * LW12	12	0.03	0.36	2000	0.518	18.335	0.052	1.320	18.8	62.0
FAD1-08015C * MW12	12	0.05	0.60	2440	0.617	21.805	0.078	1.981	24.9	62.0
FAD1-08015C * HW12	12	0.09	1.08	3200	0.841	29.722	0.122	3.098	34.4	62.0
FAD1-08015C * JW12	12	0.16	1.92	3800	0.971	34.338	0.173	4.394	38.1	62.0
FAD1-08015D * MW12	24	0.04	0.96	2440	0.617	21.805	0.078	1.981	24.9	62.0
FAD1-08015D * HW12	24	0.08	1.92	3200	0.841	29.722	0.122	3.098	34.4	62.0

* Indicates "B" (Ball Bearing), "S" (Sleeve), or "H" (Hydro Dynamic)

Noise is measured at the distance of one (1) meter from the axis of intake.





Features:

- Motor: Brushless DC
- Motor Protection: IC
- Bearing Type: Two Ball or Hydro Dynamic
- Connection: UL 1007 AWG 24, 300mm Wire Leads
- Frame Material: Plastic UL94V-0
- Impeller Material: Plastic UL94V-0
- Operating Temp:
 - Two Ball: -10°C~70°C
 - Hydro Dynamic: -10°C~70°C
- Life Expectancy:
 - Two Ball: 70,000 Hours (40°C)
 - Hydro Dynamic: 40,000 Hours (40°C)



Fan-S Division



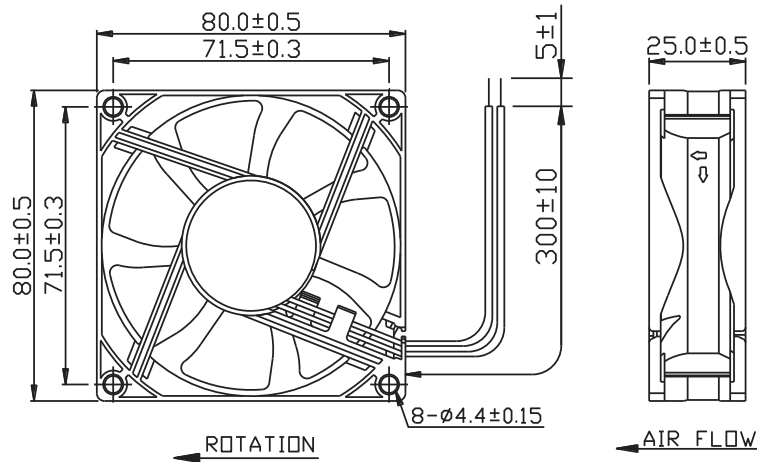
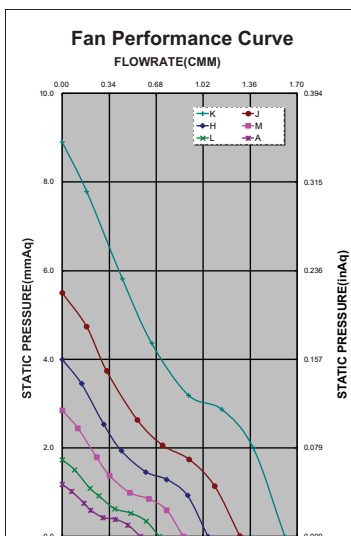
Model No.	Volt.	Current	Power	Rated Speed	Maximum AirFlow		Maximum Static Pressure		Noise Level	Weight
	(VDC)	(A)	(W)	(rpm)	(CMM)	(CFM)	(InAq)	(mmAq)	(dB/A)	(g)
FAD1-08025C * AW1** -A	12	0.09	1.08	1600	0.562	19.887	0.046	1.168	18.3	72.0
FAD1-08025C * LW1** -A	12	0.09	1.08	2000	0.690	24.387	0.068	1.727	23.6	72.0
FAD1-08025C * MW1** -A	12	0.13	1.56	2500	0.875	30.922	0.112	2.844	30.0	72.0
FAD1-08025C * HW1** -A	12	0.18	2.16	3000	1.053	37.241	0.157	3.987	35.8	72.0
FAD1-08025C * JW1** -A	12	0.25	3.00	3600	1.281	45.290	0.216	5.486	42.0	72.0
FAD1-08025C * KW1** -A	12	0.45	5.40	4500	1.608	56.830	0.350	8.890	48.1	72.0
FAD1-08025D * MW1** -A	24	0.06	1.44	2500	0.875	30.922	0.112	2.844	30.0	72.0
FAD1-08025D * HW1** -A	24	0.10	2.40	3000	1.053	37.241	0.157	3.987	35.8	72.0
FAD1-08025D * JW1** -A	24	0.16	3.84	3600	1.281	45.290	0.216	5.486	42.0	72.0

* Indicates "B" (Ball Bearing), or "H" (Hydro Dynamic)

Noise is measured at the distance of one (1) meter from the axis of intake.

** Indicates "2" (No Special Function), "3" (Alarm), "4" (Speed Sensor), "9" (PWM), or "B" (PWM + Speed Sensor)

Part Number Example: FAD1-08025CBMW12-A (Ball Bearing fan with no Special Function)





Features:

- Motor: Brushless DC
- Motor Protection: Impedance Protected
- Bearing Type: Two Ball or Hydro Dynamic
- Connection: UL 1007 AWG 24, 300mm Wire Leads
- Frame Material: Plastic UL94V-0
- Impeller Material: Plastic UL94V-0
- Operating Temp:
 - Two Ball: -10°C~70°C
 - Hydro Dynamic: -10°C~70°C
- Life Expectancy:
 - Two Ball: 70,000 Hours (40°C)
 - Hydro Dynamic: 40,000 Hours (40°C)



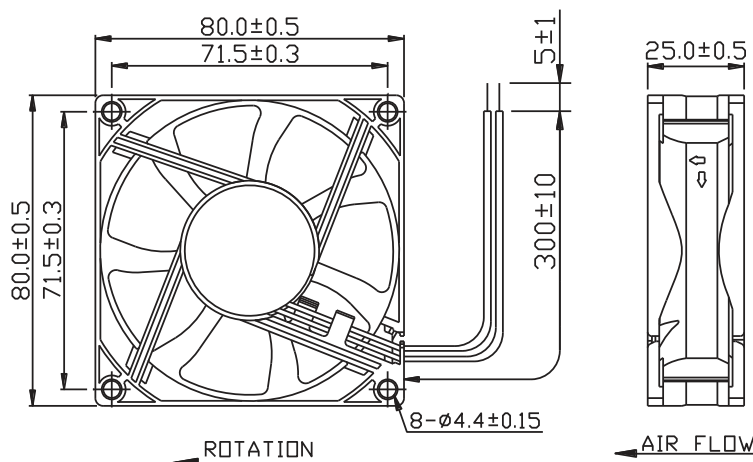
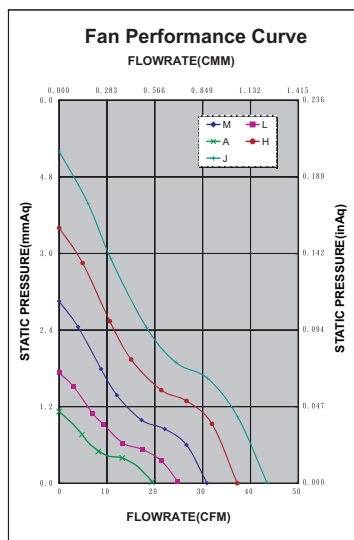
Fan-S Division



Model No.	Volt.	Current	Power	Rated Speed	Maximum AirFlow		Maximum Static Pressure		Noise Level	Weight
	(VDC)	(A)	(W)	(rpm)	(CMM)	(CFM)	(InAq)	(mmAq)	(dB/A)	(g)
FAD1-08025C * AW11-A	12	0.06	0.72	1600	0.562	19.887	0.046	1.168	18.3	72.0
FAD1-08025C * LW11-A	12	0.09	1.08	2000	0.690	24.387	0.068	1.727	23.6	72.0
FAD1-08025C * MW11-A	12	0.13	1.56	2500	0.875	30.922	0.112	2.844	30.0	72.0
FAD1-08025C * HW11-A	12	0.18	2.16	3000	1.053	37.241	0.157	3.987	35.8	72.0
FAD1-08025C * JW11-A	12	0.25	3.00	3400	1.231	43.500	0.204	5.181	40.5	72.0
FAD1-08025D * LW11-A	24	0.06	1.44	2000	0.690	24.387	0.068	1.727	23.6	72.0
FAD1-08025D * MW11-A	24	0.06	1.44	2500	0.875	30.922	0.112	2.844	30.0	72.0
FAD1-08025D * HW11-A	24	0.10	2.40	3000	1.053	37.241	0.157	3.987	35.8	72.0

* Indicates "B" (Ball Bearing), or "H" (Hydro Dynamic)

Noise is measured at the distance of one (1) meter from the axis of intake.





Features:

- Motor: Brushless DC
- Motor Protection: IC
- Bearing Type: Two Ball
- Connection: UL 1007 AWG 24, 300mm Wire Leads
- Frame Material: Plastic UL94V-0
- Impeller Material: Plastic UL94V-0
- Operating Temp:
Two Ball: -10°C~70°C
- Life Expectancy:
Two Ball: 70,000 Hours

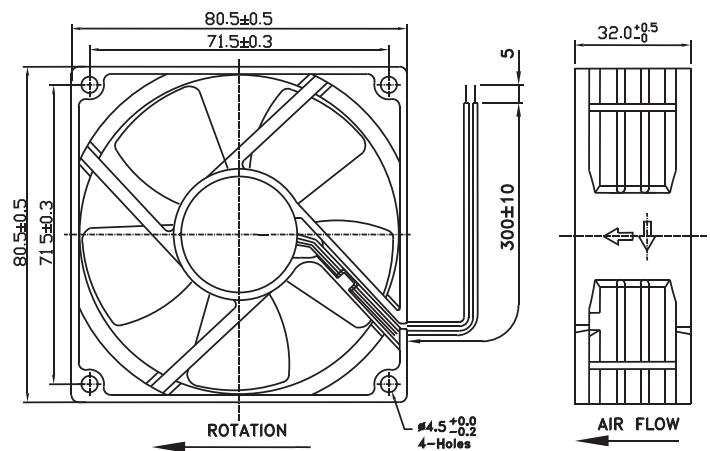
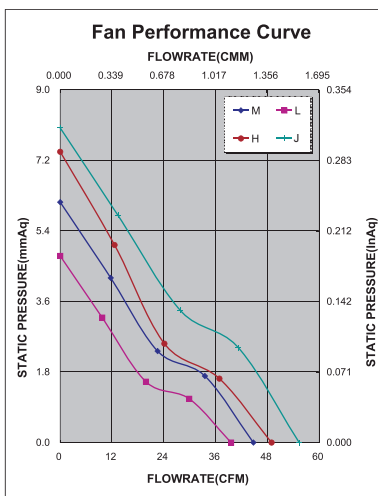


Fan-S Division



Model No.	Volt.	Current	Power	Rated Speed	Maximum AirFlow		Maximum Static Pressure		Noise Level	Weight
	(VDC)	(A)	(W)	(rpm)	(CMM)	(CFM)	(InAq)	(mmAq)	(dB/A)	(g)
FAD1-08032CBLW12	12	0.11	1.32	3000	1.120	39.578	0.187	4.749	35.5	108.0
FAD1-08032CBMW12	12	0.16	1.92	3400	1.266	44.764	0.241	6.121	36.7	108.0
FAD1-08032CBHW12	12	0.19	2.28	3800	1.414	49.998	0.292	7.416	42.4	108.0
FAD1-08032CBJW12	12	0.23	2.76	4200	1.567	55.386	0.316	8.026	44.0	108.0
FAD1-08032DBLW12	24	0.07	1.68	3000	1.120	39.578	0.187	4.749	35.5	108.0
FAD1-08032DBMW12	24	0.10	2.40	3400	1.266	44.764	0.241	6.121	36.7	108.0
FAD1-08032DBHW12	24	0.12	2.88	3800	1.414	49.998	0.292	7.416	42.4	108.0
FAD1-08032DBJW12	24	0.15	3.60	4200	1.567	55.386	0.316	8.026	44.0	108.0
FAD1-08032EBLW12	48	0.06	2.88	3000	1.120	39.578	0.187	4.749	35.5	108.0
FAD1-08032EBMW12	48	0.07	3.36	3400	1.266	44.764	0.241	6.121	36.7	108.0
FAD1-08032EBHW12	48	0.08	3.84	3800	1.414	49.998	0.292	7.416	42.4	108.0
FAD1-08032EBJW12	48	0.11	5.28	4200	1.567	55.386	0.316	8.026	44.0	108.0

Noise is measured at the distance of one (1) meter from the axis of intake.





Features:

- Motor: Brushless DC
- Motor Protection: IC
- Bearing Type: Two Ball
- Connection: UL 1007 AWG 24, 310mm Wire Leads
- Frame Material: Plastic UL94V-0
- Impeller Material: Plastic UL94V-0
- Operating Temp:
Two Ball: -10°C~70°C
- Life Expectancy:
Two Ball: 70,000 Hours

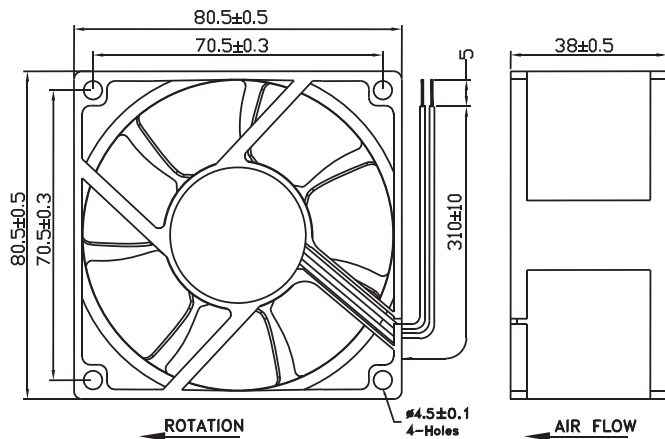
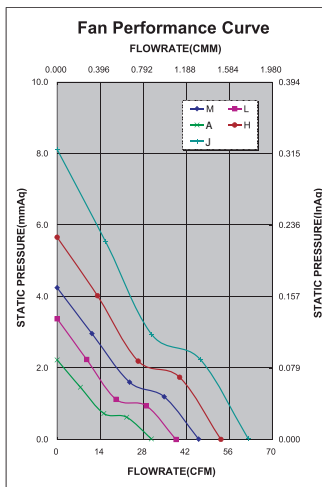


Fan-S Division



Model No.	Volt.	Current	Power	Rated Speed	Maximum AirFlow		Maximum Static Pressure		Noise Level	Weight
	(VDC)	(A)	(W)	(rpm)	(CMM)	(CFM)	(InAq)	(mmAq)	(dB/A)	(g)
FAD1-08038CBAW12	12	0.07	0.84	2000	0.867	30.657	0.087	2.209	25.5	120.0
FAD1-08038CBLW12	12	0.10	1.20	2500	1.095	38.725	0.132	3.352	32.3	120.0
FAD1-08038CBMW12	12	0.17	2.04	3000	1.303	46.055	0.167	4.241	36.0	120.0
FAD1-08038CBHW12	12	0.26	3.12	3500	1.508	53.311	0.222	5.638	39.9	120.0
FAD1-08038CBJW12	12	0.34	4.08	4000	1.759	62.161	0.319	8.102	43.7	120.0
FAD1-08038DBLW12	24	0.08	1.92	2500	1.095	38.725	0.132	3.352	32.3	120.0
FAD1-08038DBMW12	24	0.10	2.40	3000	1.303	46.055	0.167	4.241	36.0	120.0
FAD1-08038DBHW12	24	0.14	3.36	3500	1.508	53.311	0.222	5.638	39.9	120.0

Noise is measured at the distance of one (1) meter from the axis of intake.





Features:

- Motor: Brushless DC
- Motor Protection: IC
- Bearing Type: Two Ball, Sleeve, or Hydro Dynamic
- Connection: UL 1007 AWG 24, 290mm Wire Leads
- Frame Material: Plastic UL94V-0
- Impeller Material: Plastic UL94V-0
- Operating Temp:
 - Two Ball: -10°C~70°C
 - Sleeve: -10°C~60°C
 - Hydro Dynamic: -10°C~70°C
- Life Expectancy:
 - Two Ball: 70,000 Hours
 - Sleeve: 30,000 Hours
 - Hydro Dynamic: 50,000 Hours



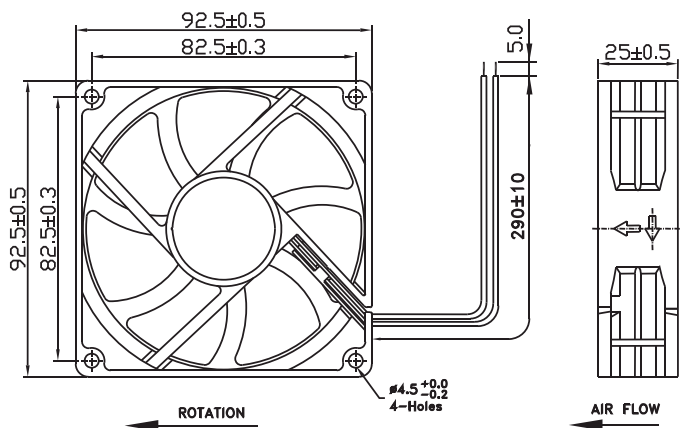
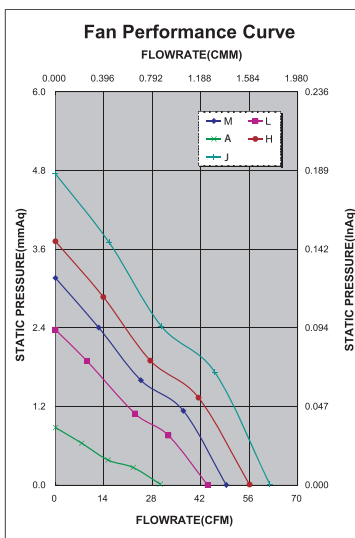
Fan-S Division



Model No.	Volt.	Current	Power	Rated Speed	Maximum AirFlow		Maximum Static Pressure		Noise Level	Weight
	(VDC)	(A)	(W)	(rpm)	(CMM)	(CFM)	(InAq)	(mmAq)	(dB/A)	(g)
FAD1-09225C * AW12	12	0.05	0.60	1600	0.858	30.303	0.034	0.877	19.1	92.0
FAD1-09225C * LW12	12	0.09	1.08	2300	1.245	43.993	0.093	2.370	30.0	92.0
FAD1-09225C * MW12	12	0.14	1.68	2600	1.396	49.357	0.124	3.149	34.5	92.0
FAD1-09225C * HW12	12	0.18	2.16	2900	1.587	56.069	0.146	3.721	37.5	92.0
FAD1-09225C * JW12	12	0.27	3.24	3300	1.752	61.929	0.187	4.749	42.2	92.0
FAD1-09225D * LW12	24	0.08	1.92	2300	1.245	43.993	0.093	2.370	30.0	92.0
FAD1-09225D * MW12	24	0.09	2.16	2600	1.396	49.357	0.124	3.149	34.5	92.0
FAD1-09225D * HW12	24	0.11	2.64	2900	1.587	56.069	0.146	3.721	37.5	92.0
FAD1-09225DBJW12	24	0.16	3.64	3300	1.752	61.929	0.187	4.749	42.2	92.0
FAD1-09225EBHW12	48	0.11	5.28	2900	1.587	56.069	0.146	3.721	37.5	92.0

* Indicates "B" (Ball Bearing), "S" (Sleeve), or "H" (Hydro Dynamic)

Noise is measured at the distance of one (1) meter from the axis of intake.





Features:

- Motor: Brushless DC
- Motor Protection: Impedance Protected
- Bearing Type: Two Ball, Sleeve, or Hydro Dynamic
- Connection: UL 1007 AWG 24, 290mm Wire Leads
- Frame Material: Plastic UL94V-0
- Impeller Material: Plastic UL94V-0
- Operating Temp:
 - Two Ball: -10°C~70°C
 - Sleeve: -10°C~60°C
 - Hydro Dynamic: -10°C~70°C
- Life Expectancy:
 - Two Ball: 70,000 Hours
 - Sleeve: 30,000 Hours
 - Hydro Dynamic: 50,000 Hours



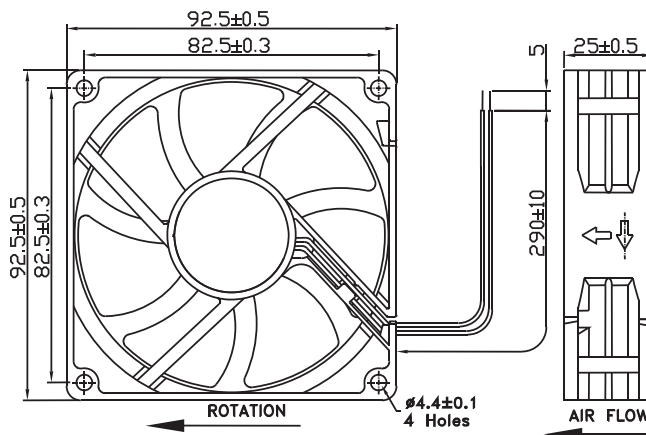
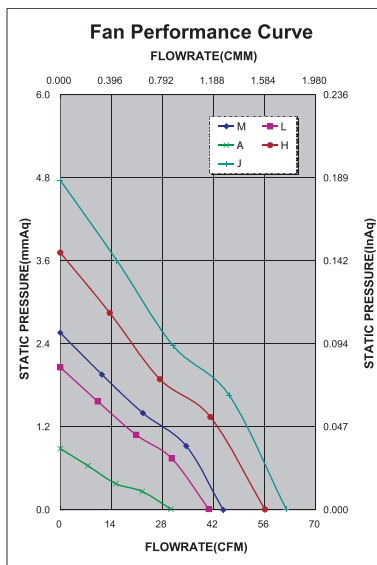
Fan-S Division



Model No.	Volt.	Current	Power	Rated Speed	Maximum AirFlow		Maximum Static Pressure		Noise Level	Weight
	(VDC)	(A)	(W)	(rpm)	(CMM)	(CFM)	(InAq)	(mmAq)	(dB/A)	(g)
FAD1-09225C * AW11	12	0.06	0.72	1600	0.858	30.303	0.034	0.887	19.1	92.0
FAD1-09225C * LW11	12	0.10	1.20	2100	1.152	40.689	0.081	2.062	29.2	92.0
FAD1-09225C * MW11	12	0.15	1.80	2400	1.263	44.655	0.101	2.565	31.2	92.0
FAD1-09225C * HW11	12	0.24	2.88	2900	1.587	56.069	0.146	3.721	37.5	92.0
FAD1-09225C * JW11	12	0.28	3.36	3300	1.753	61.929	0.187	4.760	42.2	92.0
FAD1-09225D * LW11	24	0.05	1.20	2100	1.152	40.689	0.081	2.062	29.2	92.0
FAD1-09225D * MW11	24	0.08	1.92	2400	1.263	44.655	0.101	2.565	31.2	92.0
FAD1-09225D * HW11	24	0.15	3.60	2900	1.587	56.069	0.146	3.721	37.5	92.0

* Indicates "B" (Ball Bearing), "S" (Sleeve), or "H" (Hydro Dynamic)

Noise is measured at the distance of one (1) meter from the axis of intake.





Features:

- Motor: Brushless DC
- Motor Protection: IC
- Bearing Type: Two Ball, Sleeve, or Hydro Dynamic
- Connection: UL 1007 AWG 24, 280mm Wire Leads
- Frame Material: Plastic UL94V-0
- Impeller Material: Plastic UL94V-0
- Operating Temp:
 - Two Ball: -10°C~70°C
 - Sleeve: -10°C~60°C
 - Hydro Dynamic: -10°C~70°C
- Life Expectancy:
 - Two Ball: 70,000 Hours
 - Sleeve: 30,000 Hours
 - Hydro Dynamic: 50,000 Hours



Fan-S Division

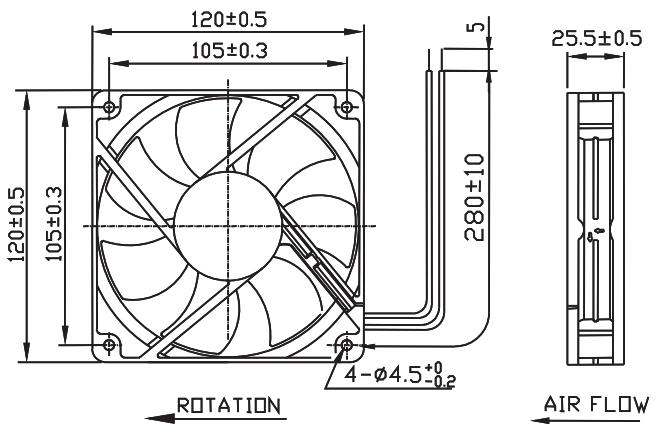
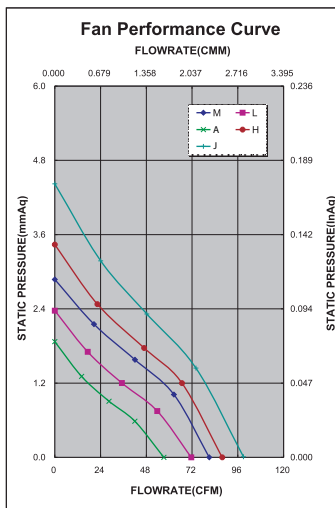


Model No.	Volt.	Current	Power	Rated Speed	Maximum AirFlow		Maximum Static Pressure		Noise Level	Weight
	(VDC)	(A)	(W)	(rpm)	(CMM)	(CFM)	(InAq)	(mmAq)	(dB/A)	(g)
FAD1-12025C * AW12	12	0.11	1.32	1500	1.618	57.205	0.074	1.879	27.2	156.0
FAD1-12025C * LW12	12	0.15	1.80	1800	2.032	71.806	0.093	2.362	34.4	156.0
FAD1-12025C * MW12	12	0.16	1.92	2050	2.293	81.054	0.113	2.870	38.0	156.0
FAD1-12025C * HW12	12	0.29	3.48	2200	2.486	87.870	0.134	3.403	39.1	156.0
FAD1-12025C * JW12	12	0.39	4.68	2500	2.800	98.965	0.174	4.419	43.3	156.0
FAD1-12025D * AW12	24	0.07	1.68	1500	1.618	57.205	0.074	1.879	27.2	156.0
FAD1-12025D * LW12	24	0.10	2.40	1800	2.032	71.806	0.093	2.362	34.4	156.0
FAD1-12025D * MW12	24	0.13	3.12	2050	2.293	81.054	0.113	2.870	38.0	156.0
FAD1-12025D * HW12	24	0.13	3.12	2200	2.486	87.870	0.134	3.403	39.1	156.0
FAD1-12025D * JW12	24	0.19	4.56	2500	2.800	98.965	0.174	4.419	43.3	156.0
FAD1-12025E * HW12	48	0.10	4.80	2200	2.486	87.870	0.134	3.403	39.1	156.0
FAD1-12025E * JW12	48	0.12	5.76	2500	2.800	98.965	0.174	4.419	43.3	156.0

* Indicates "B" (Ball Bearing), "S" (Sleeve), or "H" (Hydro Dynamic)

Noise is measured at the distance of one (1) meter from the axis of intake.

Note 1: FAD1-12025DBAW12, FAD1-12025DSAW12, FAD1-12025DHAW12 has no approvals





Features:

- Motor: Brushless DC
- Motor Protection: IC
- Bearing Type: Two Ball, Sleeve, or Hydro Dynamic
- Connection: UL 1007 AWG 24, 280mm Wire Leads
- Frame Material: Plastic UL94V-0
- Impeller Material: Plastic UL94V-0
- Operating Temp:
 - Two Ball: -10°C~70°C
 - Sleeve: -10°C~60°C
 - Hydro Dynamic: -10°C~70°C
- Life Expectancy:
 - Two Ball: 70,000 Hours
 - Sleeve: 30,000 Hours
 - Hydro Dynamic: 50,000 Hours



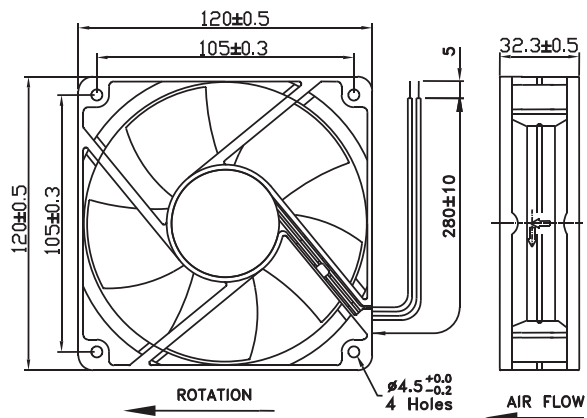
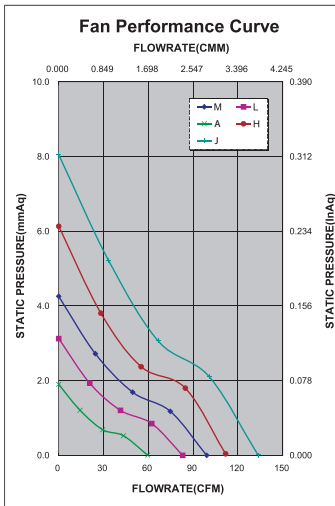
Fan-S Division



Model No.	Volt.	Current	Power	Rated Speed	Maximum AirFlow		Maximum Static Pressure		Noise Level	Weight
	(VDC)	(A)	(W)	(rpm)	(CMM)	(CFM)	(InAq)	(mmAq)	(dB/A)	(g)
FAD1-12032C * AW12	12	0.08	0.96	1450	1.682	59.461	0.075	1.905	26.9	213.0
FAD1-12032C * LW12	12	0.19	2.28	2000	2.348	82.891	0.123	3.124	36.2	213.0
FAD1-12032C * MW12	12	0.26	3.12	2400	2.803	99.069	0.167	4.241	41.1	213.0
FAD1-12032C * HW12	12	0.32	3.84	2750	3.161	111.710	0.241	6.121	43.3	213.0
FAD1-12032C * JW12	12	0.51	6.12	3200	3.776	133.440	0.317	8.051	48.4	213.0
FAD1-12032D * AW12	24	0.05	1.20	1450	1.682	59.461	0.075	1.905	26.9	213.0
FAD1-12032D * LW12	24	0.10	2.40	2000	2.348	82.981	0.123	3.124	36.2	213.0
FAD1-12032D * MW12	24	0.16	3.84	2400	2.803	99.069	0.167	4.241	41.1	213.0
FAD1-12032D * HW12	24	0.21	5.04	2750	3.161	111.710	0.241	6.121	43.3	213.0
FAD1-12032D * JW12	24	0.32	7.68	3200	3.776	133.440	0.317	8.051	48.4	213.0
FAD1-12032E * HW12	48	0.11	5.28	2750	3.161	111.710	0.241	6.121	43.3	213.0
FAD1-12032E * JW12	48	0.15	7.20	3200	3.776	133.440	0.317	8.051	48.4	213.0

* Indicates "B" (Ball Bearing), "S" (Sleeve), or "H" (Hydro Dynamic)

Noise is measured at the distance of one (1) meter from the axis of intake.





Features:

- Motor: Brushless DC
- Motor Protection: IC
- Bearing Type: Two Ball, Sleeve, or Hydro Dynamic
- Connection: UL 1007 AWG 24, 280mm Wire Leads
- Frame Material: Plastic UL94V-0, or Aluminum
- Impeller Material: Plastic UL94V-0
- Operating Temp:
 - Two Ball: -10°C~70°C
 - Sleeve: -10°C~60°C
 - Hydro Dynamic: -10°C~70°C
- Life Expectancy:
 - Two Ball: 70,000 Hours
 - Sleeve: 30,000 Hours
 - Hydro Dynamic: 50,000 Hours



Fan-S Division

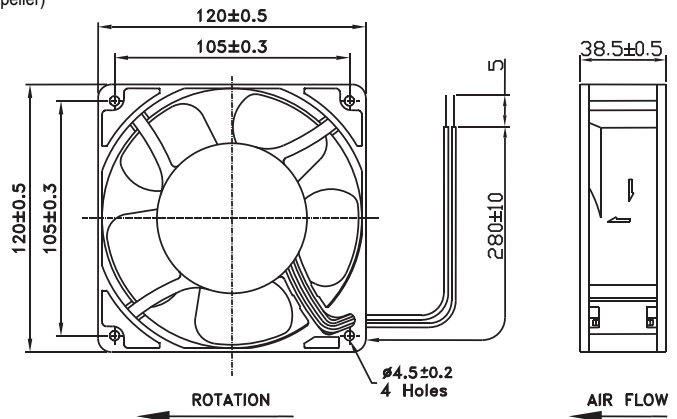
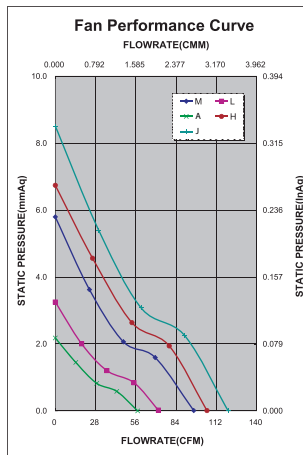


Model No.	Volt.	Current	Power	Rated Speed	Maximum AirFlow		Maximum Static Pressure		Noise Level	Weight
	(VDC)	(A)	(W)	(rpm)	(CMM)	(CFM)	(InAq)	(mmAq)	(dB/A)	(g)
FAD1-12038C * AW ** 2	12	0.12	1.44	1500	1.621	57.292	0.085	2.159	28.4	235/297
FAD1-12038C * LW ** 2	12	0.22	2.64	1950	2.027	71.635	0.128	3.251	36.2	235/297
FAD1-12038C * MW ** 2	12	0.34	4.08	2540	2.725	96.300	0.228	5.791	45.0	235/297
FAD1-12038C * HW ** 2	12	0.39	4.68	2800	2.984	105.461	0.265	6.731	46.7	235/297
FAD1-12038C * JW ** 2	12	0.62	7.44	3200	3.399	120.109	0.335	8.509	48.0	235/297
FAD1-12038D * AW ** 2	24	0.07	1.68	1500	1.621	57.292	0.085	2.159	28.4	235/297
FAD1-12038D * LW ** 2	24	0.10	2.40	1950	2.027	71.635	0.128	3.251	36.2	235/297
FAD1-12038D * MW ** 2	24	0.20	4.80	2540	2.725	96.300	0.228	5.791	45.0	235/297
FAD1-12038D * HW ** 2	24	0.26	6.24	2800	2.984	105.461	0.265	6.731	46.7	235/297
FAD1-12038D * JW ** 2	24	0.38	9.12	3200	3.399	120.109	0.335	8.509	48.0	235/297
FAD1-12038E * LW ** 2	48	0.09	4.32	1950	2.027	71.635	0.128	3.251	36.2	235/297
FAD1-12038E * MW ** 2	48	0.13	6.24	2540	2.725	96.300	0.228	5.791	45.0	235/297
FAD1-12038E * HW ** 2	48	0.18	8.64	2800	2.984	105.461	0.265	6.731	46.7	235/297
FAD1-12038E * JW ** 2	48	0.22	10.56	3200	3.399	120.109	0.335	8.509	48.0	235/297

* Indicates "B" (Ball Bearing), "S" (Sleeve), or "H" (Hydro Dynamic)

Noise is measured at the distance of one (1) meter from the axis of intake.

** Indicates "1" (Plastic Frame and Plastic Impeller) or "3" (Aluminum Frame and Plastic Impeller)





Features:

- Motor: Brushless DC
- Motor Protection: IC
- Bearing Type: Two Ball
- Connection: UL 1007 AWG 24, 285mm Wire Leads
- Frame Material: Plastic UL94V-0
- Impeller Material: Plastic UL94V-0
- Operating Temp:
Two Ball: -10°C~70°C
- Life Expectancy:
Two Ball: 70,000 Hours

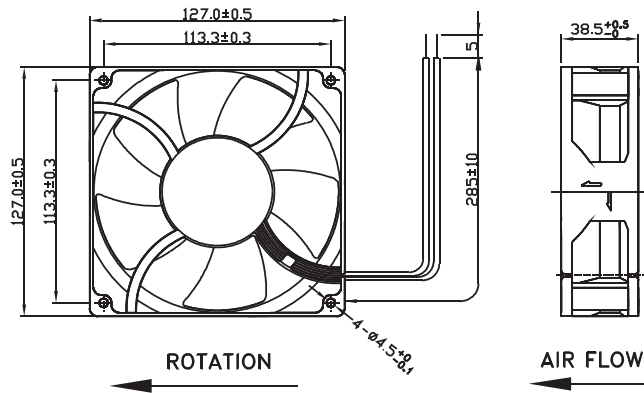
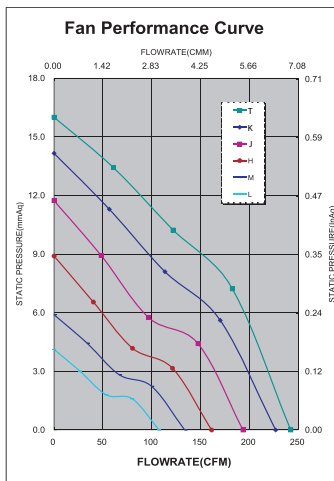


Fan-S Division



Model No.	Volt.	Current	Power	Rated Speed	Maximum AirFlow		Maximum Static Pressure		Noise Level	Weight
	(VDC)	(A)	(W)	(rpm)	(CMM)	(CFM)	(InAq)	(mmAq)	(dB/A)	(g)
FAD1-12738CBLW12	12	0.25	3.00	2000	3.030	107.00	0.160	4.00	41.0	370
FAD1-12738CBMW12	12	0.38	4.56	2500	3.766	133.00	0.230	5.75	47.5	370
FAD1-12738CBHW12	12	0.65	7.80	2950	4.559	161.00	0.350	8.75	53.0	370
FAD1-12738CBJW12	12	1.06	12.72	3500	5.466	193.00	0.460	11.50	56.0	370
FAD1-12738CBKW12	12	1.95	23.40	4100	6.400	226.00	0.550	13.75	62.0	370
FAD1-12738DBLW12	24	0.15	3.60	2000	3.030	107.00	0.160	4.00	41.0	370
FAD1-12738DBMW12	24	0.22	5.28	2500	3.766	133.00	0.230	5.75	47.5	370
FAD1-12738DBHW12	24	0.36	8.64	2950	4.559	161.00	0.350	8.75	53.0	370
FAD1-12738DBJW12	24	0.50	12.00	3500	5.466	193.00	0.460	11.50	56.0	370
FAD1-12738DBKW12	24	0.94	22.56	4100	6.400	226.00	0.550	13.75	62.0	370
FAD1-12738DBTW12	24	1.10	26.40	4500	6.853	242.00	0.630	15.75	64.5	370
FAD1-12738EBLW12	48	0.11	5.28	2000	3.030	107.00	0.160	4.00	41.0	370
FAD1-12738EBMW12	48	0.15	7.20	2500	3.766	133.00	0.230	5.75	47.5	370
FAD1-12738EBHW12	48	0.21	10.08	2950	4.559	161.00	0.350	8.75	53.0	370
FAD1-12738EBJW12	48	0.31	14.88	3500	5.466	193.00	0.460	11.50	56.0	370
FAD1-12738EBKW12	48	0.50	24.00	4100	6.400	226.00	0.550	13.75	62.0	370
FAD1-12738EBTW12	48	0.64	30.72	4500	6.853	242.00	0.630	15.75	64.5	370

Noise is measured at the distance of one (1) meter from the axis of intake.





Features:

- Motor: Brushless DC
- Motor Protection: IC
- Bearing Type: Two Ball
- Connection: UL 1007 AWG 22, 360mm Wire Leads
- Frame Material: Aluminum Alloy
- Impeller Material: Steel
- Operating Temp:
Two Ball: -20°C~70°C
- Life Expectancy:
Two Ball: 50,000 Hours
Two Ball: 100,000 Hours (-L)



Fan-S Division

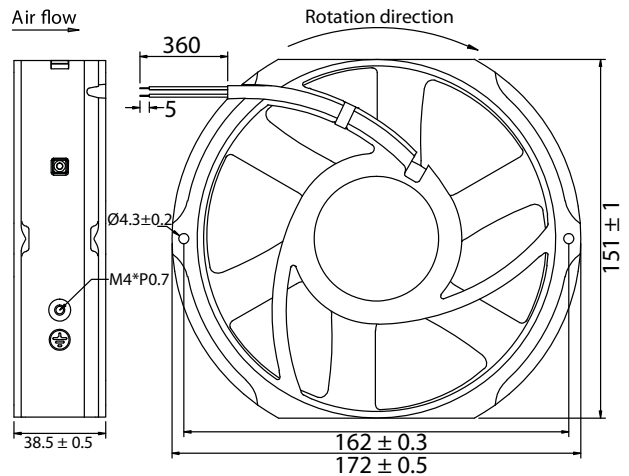
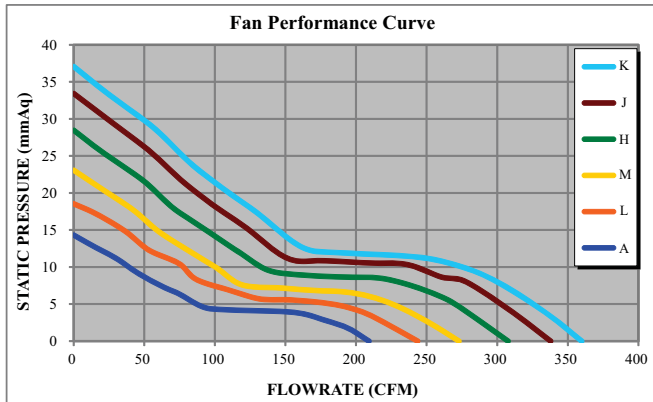


Model No.	Volt.	Current	Power	Rated Speed	Maximum AirFlow		Maximum Static Pressure		Noise Level	Weight
	(VDC)	(A)	(W)	(rpm)	(CMM)	(CFM)	(InAq)	(mmAq)	(dB/A)	(g)
FDD1-17238CBAW4 * #	12	1.10	13.20	2800	5.95	210	0.571	14.5	52.0	880
FDD1-17238CBLW4 * #	12	1.59	19.08	3200	6.94	245	0.732	18.6	56.0	880
FDD1-17238CBMW4 * #	12	2.34	28.08	3600	7.79	275	0.909	23.1	60.0	880
FDD1-17238CBHW4 * #	12	3.33	39.96	4000	8.78	310	1.122	28.5	64.0	880
FDD1-17238DBAW4 * #	24	0.54	12.96	2800	5.95	210	0.571	14.5	52.0	880
FDD1-17238DBLW4 * #	24	0.78	18.72	3200	6.94	245	0.732	18.6	56.0	880
FDD1-17238DBMW4 * #	24	1.08	25.92	3600	7.79	275	0.909	23.1	60.0	880
FDD1-17238DBHW4 * #	24	1.38	33.12	4000	8.78	310	1.122	28.5	64.0	880
FDD1-17238DBJW4 * #	24	1.91	45.84	4400	9.63	340	1.315	33.4	68.0	880
FDD1-17238DBKW4 * #	24	2.34	56.16	4800	10.20	360	1.543	39.2	72.0	880
FDD1-17238EBAW4 * #	48	0.28	13.44	2800	5.95	210	0.571	14.5	52.0	880
FDD1-17238EBLW4 * #	48	0.37	17.76	3200	6.94	245	0.732	18.6	56.0	880
FDD1-17238EBMW4 * #	48	0.52	24.96	3600	7.79	275	0.909	23.1	60.0	880
FDD1-17238EBHW4 * #	48	0.68	32.64	4000	8.78	310	1.122	28.5	64.0	880
FDD1-17238EBJW4 * #	48	0.90	43.20	4400	9.63	340	1.315	33.4	68.0	880
FDD1-17238EBKW4 * #	48	1.13	54.24	4800	10.20	360	1.543	39.2	72.0	880

* Indicates "2" (No Special Function), "3" (Alarm), "4" (Speed Sensor), "9" (PWM), "B" (PWM + Speed Sensor) or "C" (Alarm + Speed Sensor)

Indicates "-L" (100,000 Hours Life Expectancy) or Leave Blank (50,000 Hours Life Expectancy)

Noise is measured at the distance of one (1) meter from the axis of intake.





Features:

- Motor: Brushless DC
- Motor Protection: IC
- Bearing Type: Two Ball
- Connection: UL 1007 AWG 22, 360mm Wire Leads
- Frame Material: Aluminum Alloy
- Impeller Material: Plastic UL94V-0
- Operating Temp:
Two Ball: -20°C~70°C
- Life Expectancy:
Two Ball: 50,000 Hours
Two Ball: 100,000 Hours (-L)



Fan-S Division

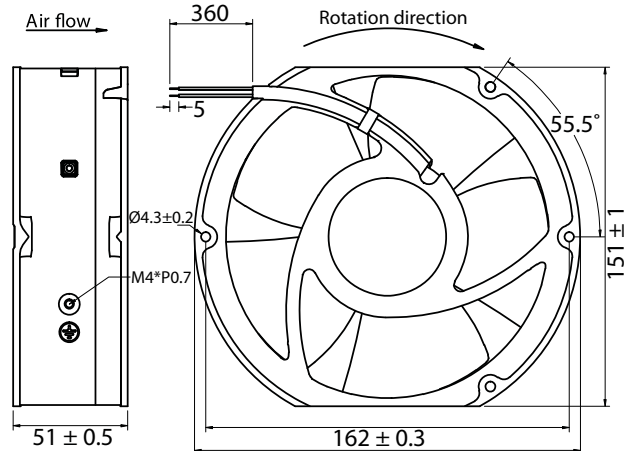
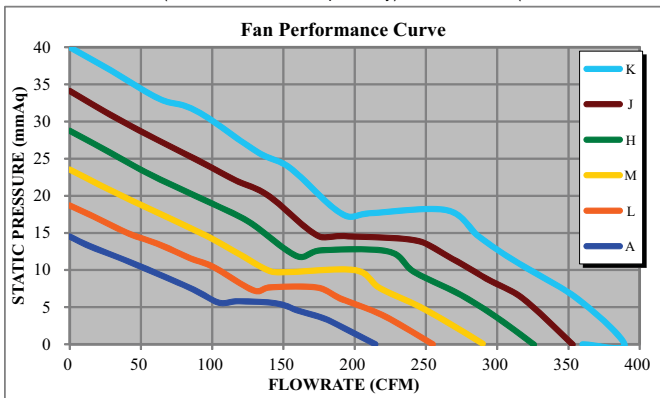


Model No.	Volt.	Current	Power	Rated Speed	Maximum AirFlow		Maximum Static Pressure		Noise Level	Weight
	(VDC)	(A)	(W)	(rpm)	(CMM)	(CFM)	(InAq)	(mmAq)	(dB/A)	(g)
FDD1-17251CBAW3 * #	12	1.31	15.72	2800	6.23	220	0.571	14.5	52.0	1070
FDD1-17251CBLW3 * #	12	1.88	22.56	3200	7.22	255	0.736	18.7	56.0	1070
FDD1-17251CBMW3 * #	12	2.75	33.00	3600	8.21	290	0.925	23.5	60.0	1070
FDD1-17251CBHW3 * #	12	3.73	44.76	4000	9.20	325	1.134	28.8	64.0	1070
FDD1-17251DBAW3 * #	24	0.65	15.60	2800	6.23	220	0.571	14.5	52.0	1070
FDD1-17251DBLW3 * #	24	0.89	21.36	3200	7.22	255	0.736	18.7	56.0	1070
FDD1-17251DBMW3 * #	24	1.21	29.04	3600	8.21	290	0.925	23.5	60.0	1070
FDD1-17251DBHW3 * #	24	1.69	40.56	4000	9.20	325	1.134	28.8	64.0	1070
FDD1-17251DBJW3 * #	24	2.41	57.84	4400	10.10	355	1.343	34.1	68.0	1070
FDD1-17251DBKW3 * #	24	2.94	70.56	4800	11.00	390	1.587	40.3	72.0	1070
FDD1-17251EBAW3 * #	48	0.33	15.84	2800	6.23	220	0.571	14.5	52.0	1070
FDD1-17251EBLW3 * #	48	0.45	21.60	3200	7.22	255	0.736	18.7	56.0	1070
FDD1-17251EBMW3 * #	48	0.60	28.80	3600	8.21	290	0.925	23.5	60.0	1070
FDD1-17251EBHW3 * #	48	0.79	37.92	4000	9.20	325	1.134	28.8	64.0	1070
FDD1-17251EBJW3 * #	48	1.15	55.20	4400	10.10	355	1.343	34.1	68.0	1070
FDD1-17251EBKW3 * #	48	1.48	71.04	4800	11.00	390	1.587	40.3	72.0	1070

* Indicates "2" (No Special Function), "3" (Alarm), "4" (Speed Sensor), "9" (PWM), "B" (PWM + Speed Sensor) or "C" (Alarm + Speed Sensor)

Indicates "-L" (100,000 Hours Life Expectancy) or Leave Blank (50,000 Hours Life Expectancy)

Noise is measured at the distance of one (1) meter from the axis of intake.

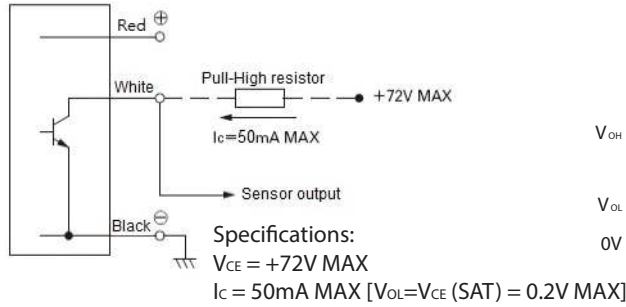


DC Fan Special Functions

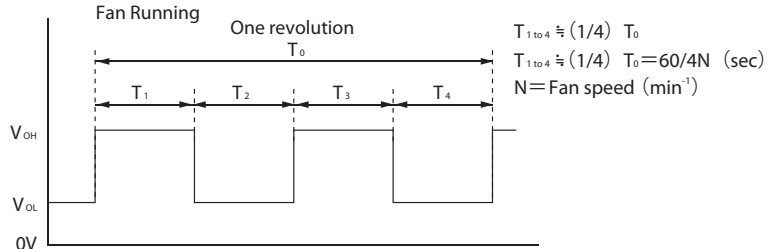
FG: TACHOMETER OUTPUT TYPE

Output Circuit: Open Collector

Inside of DC fan



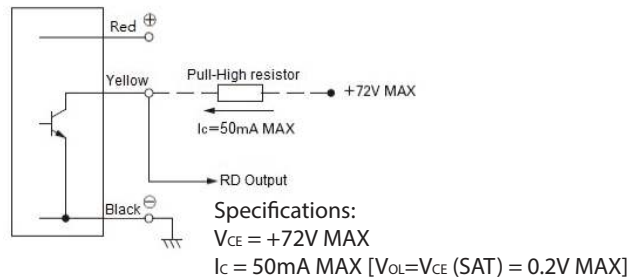
Output Waveform: (Need pull-up resistor)



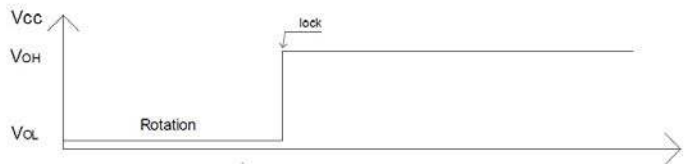
RD: LOCKED ROTOR ALARM SIGNAL

Output Circuit: Open Collector

Inside of DC fan

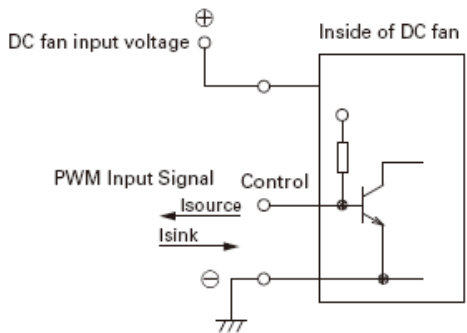


Output Waveform: (Need pull-up resistor)

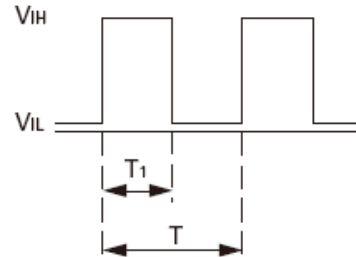


PWM SPEED CONTROL

Output Circuit:



Output Waveform:



Method: PWM insensitive to signal amplitude

Signal Voltage Range:

High signal (V_{IH}): 2.8 ~ 48 VDC

Low signal (V_{IL}): -0.8 ~ 0.8 VDC

Frequency ($1/T$): 200 ~ 100KHz

Duty cycle mapping speed (T_1/T):

<5%: 0 rpm

5%~100%: Linear ramp

100% or Open: Full speed

HARSH ENVIRONMENT & SALT FOG FANS

- Size: 172mm - 280mm
- Bearing Type: 2-ball
- Voltage: 115 - 230 VAC, 12 - 48 VDC
- Motor Types: external rotor capacitor run, brushless DC
- Electrical Connection: wire leads, blade terminals, terminal block
- Alarm, locked rotor, PWM control functions available for DC
- Tested and certified to exceed IP55, IP56, and meet IP56M
- Salt fog fans are GR-487-CORE, ASTM B117-11, ISO 9227 compliant





Features:

- Motor: External Rotor Capacitor-Run Induction Motor
- Motor Protection: Thermal Protected
- Bearing Type: Two Ball
- Connection: UL 1015 AWG 22, 300mm Wire Leads or Terminal
- Frame Material: Aluminum Alloy
- Impeller Material: Plastic UL94V-0, or Steel
- **IP56M Certified**
- Operating Temp:
Two Ball: -20°C~70°C
- Life Expectancy:
Two Ball: 50,000 Hours
Two Ball: 100,000 Hours (-L)



IP56M

Fan-S Division



Model No.	Volt.	Freq.	Current	Power	Rated Speed	Maximum AirFlow		Maximum Static Pressure		Noise Level	Weight
	(VAC)	(Hz)	(A)	(W)	(rpm)	(CMM)	(CFM)	(InAq)	(mmAq)	(dB/A)	(g)
FDA2-17238NBH **D#	115	50/60	0.25/0.21	27.0/25.0	2700/3100	5.95/6.80	210/240	0.531/0.571	13.5/14.5	53.0/59.0	820
FDA2-17238QBH **D#	230	50/60	0.11/0.12	26.0/27.0	2700/3100	5.95/6.80	210/240	0.531/0.571	13.5/14.5	53.0/59.0	820

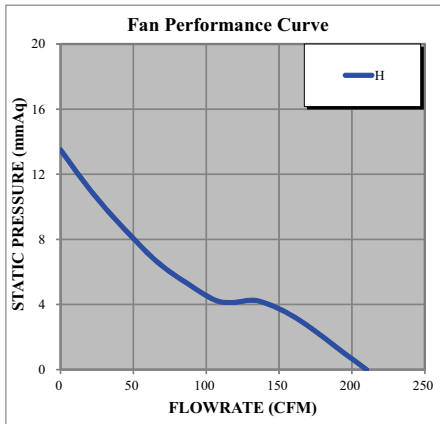
* Indicates "W" (Wire Leads) or "T" (Terminal)

Noise is measured at the distance of one (1) meter from the axis of intake.

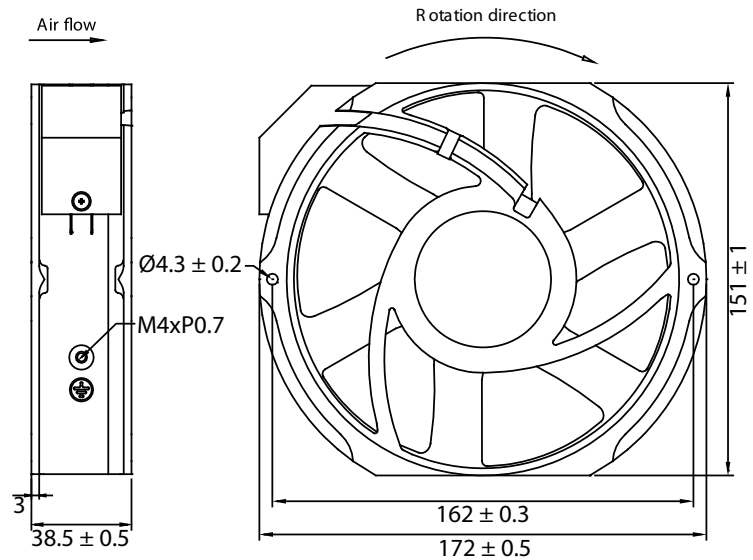
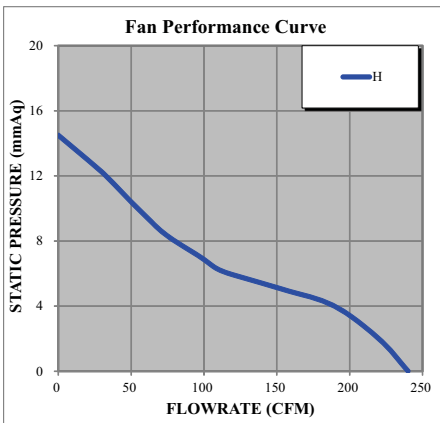
** Indicates "3" (Metal Frame, Plastic Impeller) or "4" (Metal Frame and Impeller)

Indicates "-L" (100,000 Hours Life Expectancy) or Leave Blank (50,000 Hours Life Expectancy)

50Hz



60Hz





Features:

- Motor: External Rotor Capacitor-Run Induction Motor
- Motor Protection: Thermal Protected
- Bearing Type: Two Ball
- Connection: UL 1015 AWG 22, 300mm Wire Leads or Terminal
- Frame Material: Aluminum Alloy
- Impeller Material: Plastic UL94V-0, or Steel
- **IP56M Certified**
- Operating Temp:
Two Ball: -20°C~70°C
- Life Expectancy:
Two Ball: 50,000 Hours
Two Ball: 100,000 Hours (-L)



IP56M

Fan-S Division



Model No.	Volt.	Freq.	Current	Power	Rated Speed	Maximum AirFlow		Maximum Static Pressure		Noise Level	Weight
	(VAC)	(Hz)	(A)	(W)	(rpm)	(CMM)	(CFM)	(InAq)	(mmAq)	(dB/A)	(g)
FDA2-17251NBK * 3D #	115	50/60	0.22/0.24	24.0/27.0	2800/3300	6.51/7.78	230/275	0.649/0.768	16.5/19.5	54.0/60.0	890
FDA2-17251QBK * 3D #	230	50/60	0.11/0.12	24.0/27.0	2800/3300	6.51/7.78	230/275	0.649/0.768	16.5/19.5	54.0/60.0	890
FDA2-17251NBH * ** D #	115	50/60	0.25/0.21	27.0/25.0	2700/3100	5.95/7.08	210/250	0.551/0.610	14.0/15.5	53.0/59.0	940
FDA2-17251QBH * ** D #	230	50/60	0.11/0.12	26.0/27.0	2700/3100	5.95/7.08	210/250	0.551/0.610	14.0/15.5	53.0/59.0	940

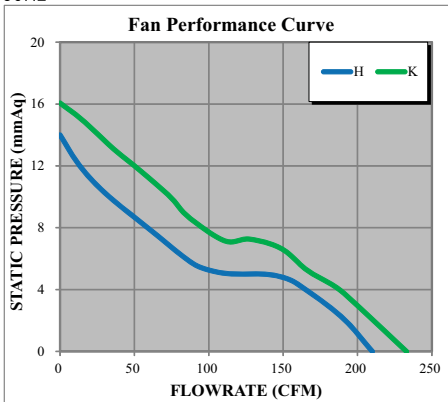
* Indicates "W" (Wire Leads) or "T" (Terminal)

Noise is measured at the distance of one (1) meter from the axis of intake.

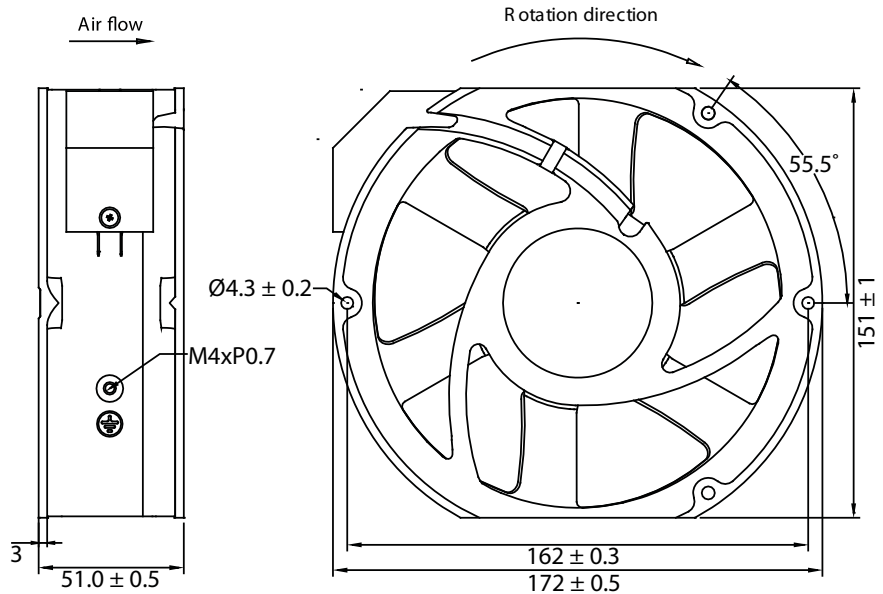
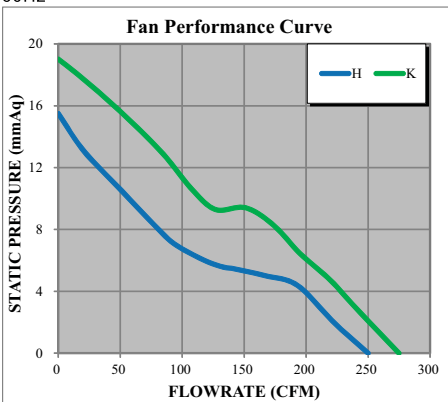
** Indicates "3" (Metal Frame, Plastic Impeller) or "4" (Metal Frame and Impeller)

Indicates "-L" (100,000 Hours Life Expectancy) or Leave Blank (50,000 Hours Life Expectancy)

50Hz



60Hz





IP56M

Features:

- Motor: External Rotor Capacitor-Run Induction Motor
- Motor Protection: Thermal Protected
- Bearing Type: Two Ball
- Connection: UL 1015 AWG 22, 300mm Wire Leads or Terminal
- Frame Material: Aluminum Alloy
- Impeller Material: Plastic UL94V-0, or Steel
- **IP56M Certified**
- Operating Temp:
Two Ball: -20°C~70°C
- Life Expectancy:
Two Ball: 50,000 Hours
Two Ball: 100,000 Hours (-L)



Fan-S Division



Model No.	Volt.	Freq.	Current	Power	Rated Speed	Maximum AirFlow		Maximum Static Pressure		Noise Level	Weight
	(VAC)	(Hz)	(A)	(W)	(rpm)	(CMM)	(CFM)	(InAq)	(mmAq)	(dB/A)	(g)
FDA2-R17251NBK * ** D#	115	50/60	0.27/0.23	26.0/26.0	2800/3300	6.51/7.65	230/270	0.649/0.787	16.5/20.0	55.0/61.0	1080
FDA2-R17251QBK * ** D#	230	50/60	0.10/0.11	23.0/26.0	2800/3300	6.51/7.65	230/270	0.649/0.787	16.5/20.0	55.0/61.0	1080

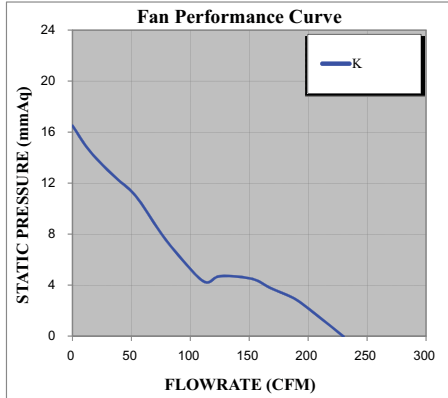
* Indicates "W" (Wire Leads) or "T" (Terminal)

** Indicates "3" (Metal Frame, Plastic Impeller) or "4" (Metal Frame and Impeller)

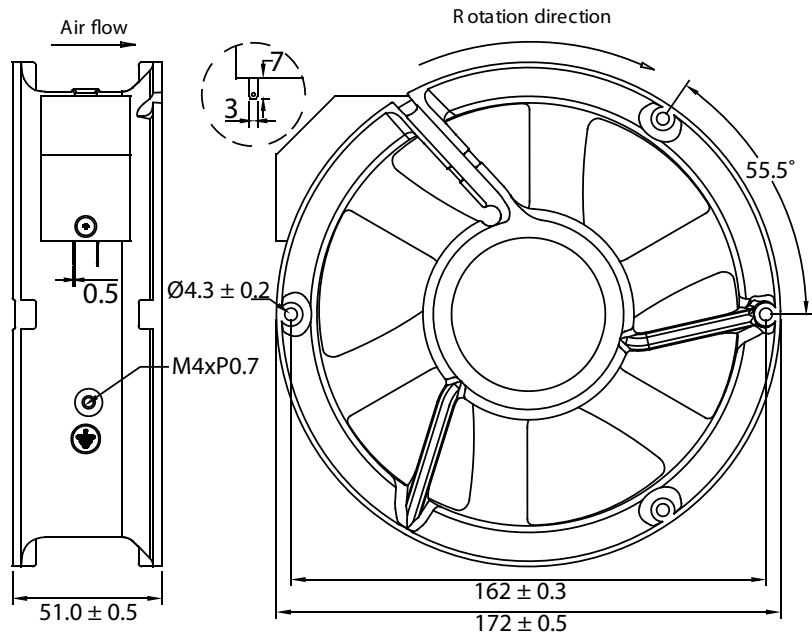
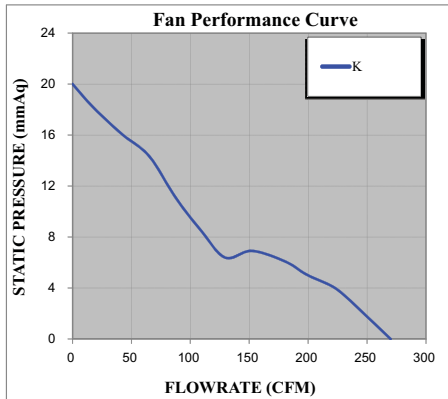
Indicates "-L" (100,000 Hours Life Expectancy) or Leave Blank (50,000 Hours Life Expectancy)

Noise is measured at the distance of one (1) meter from the axis of intake.

50Hz



60Hz





Features:

- Motor: External Rotor Capacitor-Run Induction Motor
- Motor Protection: Thermal Protected
- Bearing Type: Two Ball
- Connection: UL 1015 AWG 22, 360mm Wire Leads or Terminal
- Frame Material: Aluminum Alloy
- Impeller Material: Plastic UL94V-0, or Steel
- **IP56M Certified**
- Operating Temp:
Two Ball: -20°C~70°C
- Life Expectancy:
Two Ball: 50,000 Hours
Two Ball: 100,000 Hours (-L)



IP56M

Fan-S Division



Model No.	Volt.	Freq.	Current	Power	Rated Speed	Maximum AirFlow		Maximum Static Pressure		Noise Level	Weight
	(VAC)	(Hz)	(A)	(W)	(rpm)	(CMM)	(CFM)	(InAq)	(mmAq)	(dB/A)	(g)
FDA2-17255NBH * ** D #	115	50/60	0.25/0.21	27.0/25.0	2700/3100	5.95/6.80	210/240	0.492/0.531	12.5/13.5	57.0/61.0	840
FDA2-17255QBH * ** D #	230	50/60	0.11/0.12	26.0/27.0	2700/3100	5.95/6.80	210/240	0.492/0.531	12.5/13.5	57.0/61.0	840

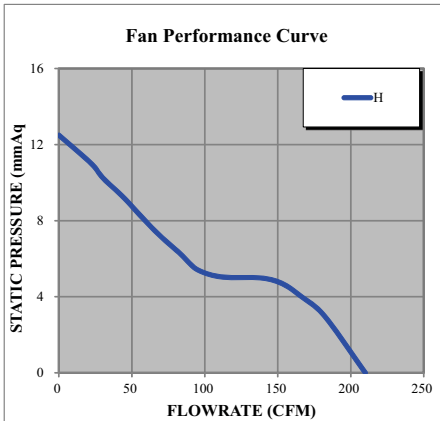
* Indicates "W" (Wire Leads) or "T" (Terminal)

Noise is measured at the distance of one (1) meter from the axis of intake.

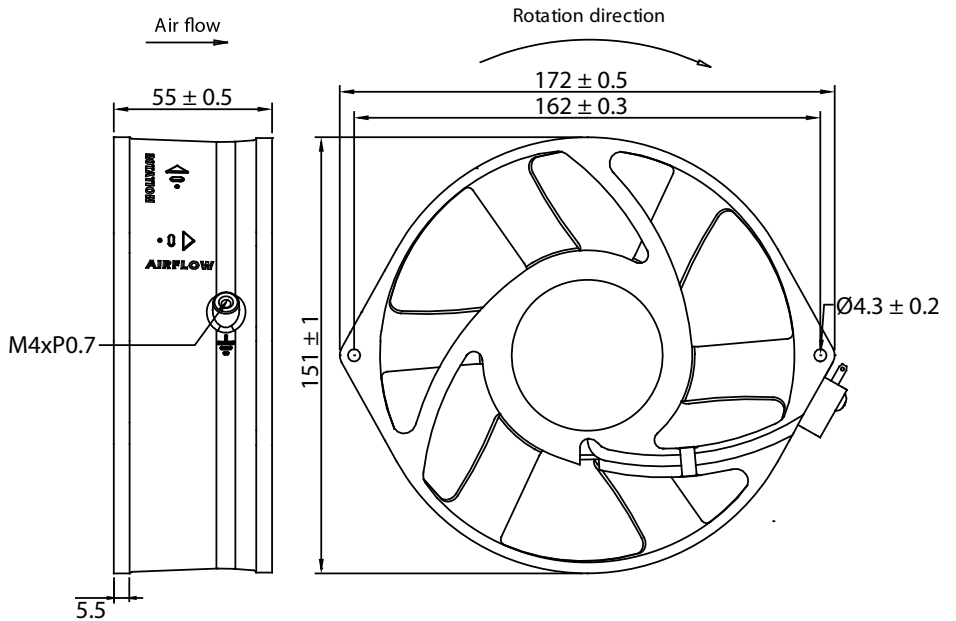
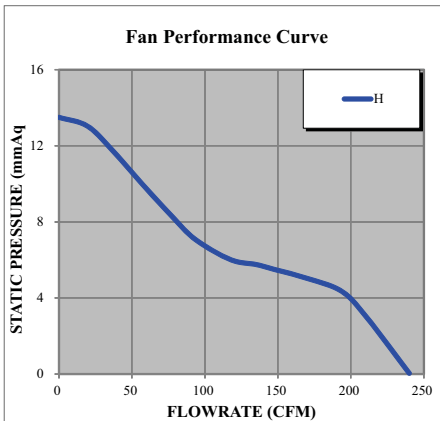
** Indicates "3" (Metal Frame, Plastic Impeller) or "4" (Metal Frame and Impeller)

Indicates "-L" (100,000 Hours Life Expectancy) or Leave Blank (50,000 Hours Life Expectancy)

50Hz



60Hz





Features:

- Motor: External Rotor Capacitor-Run Induction Motor
- Motor Protection: Thermal Protected
- Bearing Type: Two Ball
- Connection: Terminal Block
- Frame Material: Aluminum Alloy
- Impeller Material: Steel
- **IP56M Certified**
- Operating Temp:
Two Ball: -20°C~70°C
- Life Expectancy:
Two Ball: 50,000 Hours
Two Ball: 100,000 Hours (-L)



IP56M

Fan-S Division

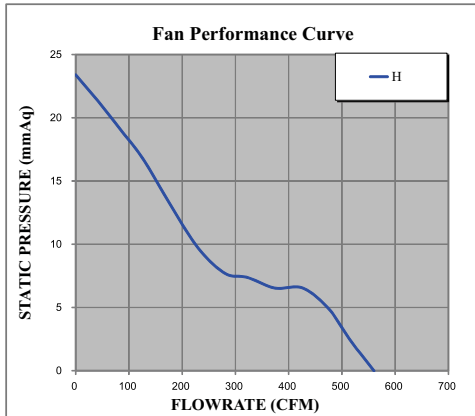


Model No.	Volt.	Freq.	Current	Power	Rated Speed	Maximum AirFlow		Maximum Static Pressure		Noise Level	Weight
	(VAC)	(Hz)	(A)	(W)	(rpm)	(CMM)	(CFM)	(InAq)	(mmAq)	(dB/A)	(g)
FDA2-22580NBHK4D #	115	50/60	0.61/0.62	53.0/68.0	2800/3200	16.4/19.0	580/670	0.925/0.807	23.5/20.5	68.0/71.0	2750
FDA2-22580QBHK4D #	230	50/60	0.26/0.31	53.0/68.0	2800/3200	16.4/19.0	580/670	0.925/0.807	23.5/20.5	68.0/71.0	2750

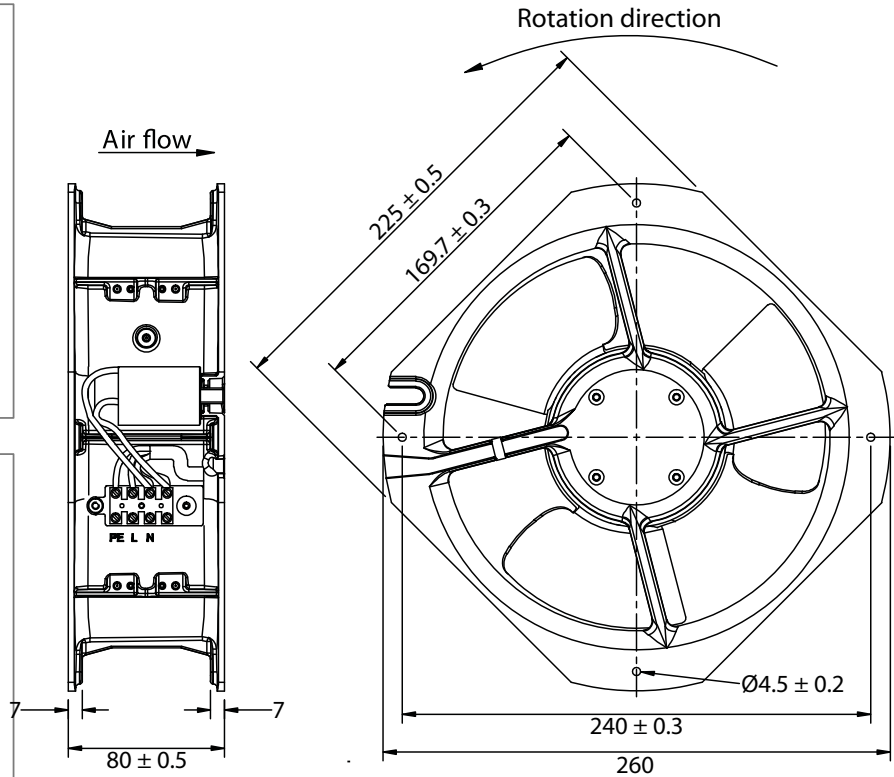
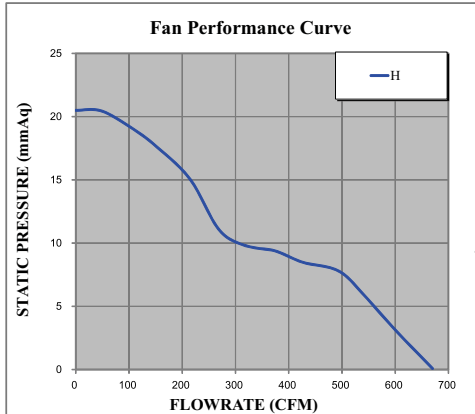
Indicates "-L" (100,000 Hours Life Expectancy) or Leave Blank (50,000 Hours Life Expectancy)

Noise is measured at the distance of one (1) meter from the axis of intake.

50Hz



60Hz





Features:

- Motor: External Rotor Capacitor-Run Induction Motor
- Motor Protection: Thermal Protected
- Bearing Type: Two Ball
- Connection: UL 1015 AWG 22, 300mm Wire Leads or Terminal
- Frame Material: Aluminum Alloy
- Impeller Material: Steel
- **IP56M Certified**
- Operating Temp:
Two Ball: -20°C~70°C
- Life Expectancy:
Two Ball: 50,000 Hours
Two Ball: 100,000 Hours (-L)



IP56M

Fan-S Division



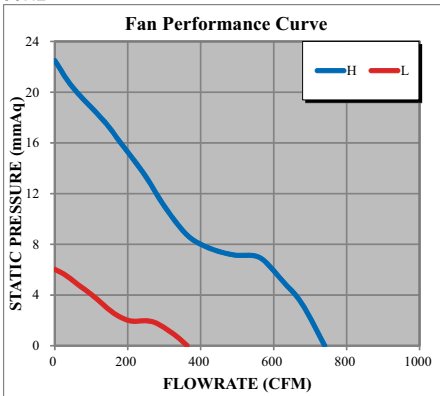
Model No.	Volt.	Freq.	Current	Power	Rated Speed	Maximum AirFlow		Maximum Static Pressure		Noise Level	Weight
	(VAC)	(Hz)	(A)	(W)	(rpm)	(CMM)	(CFM)	(InAq)	(mmAq)	(dB/A)	(g)
FDA2-25489NBH * 4D #	115	50/60	0.58/0.88	66.0/97.0	2800/3200	20.94/24.34	740/860	0.886/0.846	22.5/21.5	66.0/68.0	2750
FDA2-25489QBH * 4D #	230	50/60	0.28/0.42	64.0/92.0	2800/3200	20.94/24.34	740/860	0.886/0.846	22.5/21.5	66.0/68.0	2750
FDA2-25489NBL * 4D #	115	50/60	0.34/0.28	30.0/29.0	1400/1650	9.54/12.45	337/440	0.240/0.307	6.1/7.8	50.0/52.0	2750
FDA2-25489QBL * 4D #	230	50/60	0.17/0.14	32.0/32.0	1400/1650	9.54/12.45	337/440	0.240/0.307	6.1/7.8	50.0/52.0	2750

* Indicates "W" (Wire Leads) or "T" (Terminal)

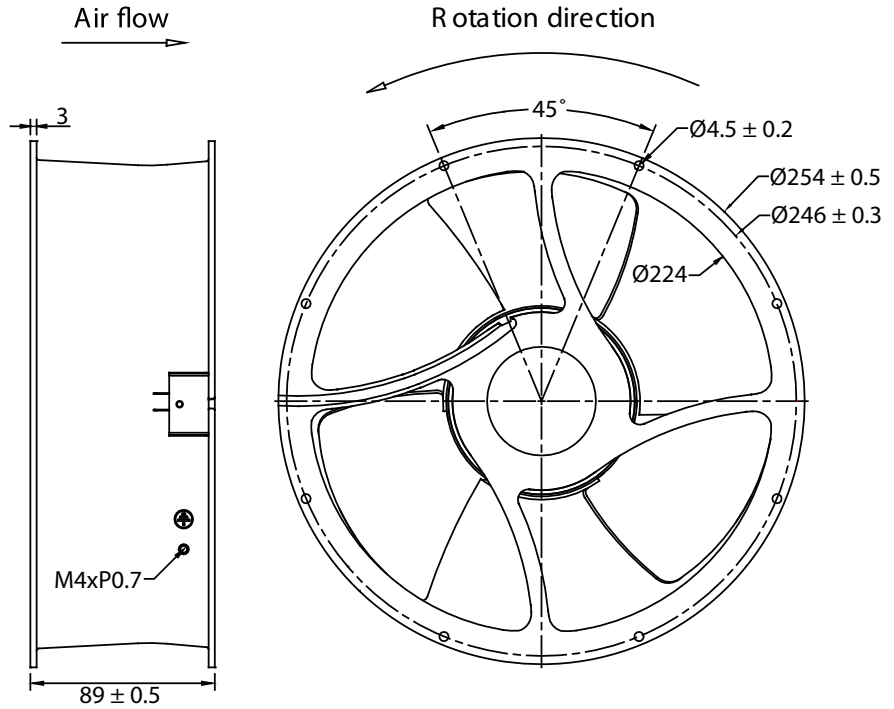
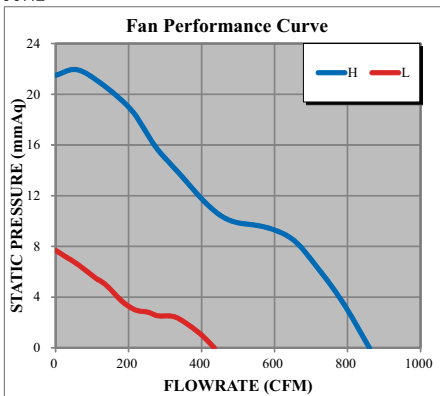
Indicates "-L" (100,000 Hours Life Expectancy) or Leave Blank (50,000 Hours Life Expectancy)

Noise is measured at the distance of one (1) meter from the axis of intake.

50Hz



60Hz





Features:

- Motor: External Rotor Capacitor-Run Induction Motor
- Motor Protection: Thermal Protected
- Bearing Type: Two Ball
- Connection: Terminal Block
- Frame Material: Aluminum Alloy
- Impeller Material: Steel
- **IP56M Certified**
- Operating Temp:
Two Ball: -20°C~70°C
- Life Expectancy:
Two Ball: 50,000 Hours
Two Ball: 100,000 Hours (-L)



IP56M

Fan-S Division

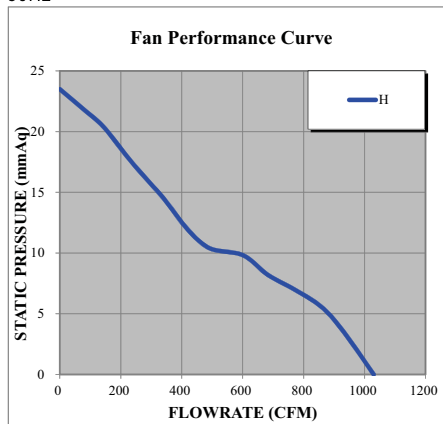


Model No.	Volt.	Freq.	Current	Power	Rated Speed	Maximum AirFlow		Maximum Static Pressure		Noise Level	Weight
	(VAC)	(Hz)	(A)	(W)	(rpm)	(CMM)	(CFM)	(InAq)	(mmAq)	(dB/A)	(g)
FDA2-28080NBHK4D #	115	50/60	0.81/1.20	94.0/136.0	2650/2900	29.15/32.55	1030/1150	0.925/0.807	23.5/20.5	70.0/73.0	3050
FDA2-28080QBHK4D #	230	50/60	0.43/0.63	95.0/138.0	2650/2900	29.15/32.55	1030/1150	0.925/0.807	23.5/20.5	70.0/73.0	3050

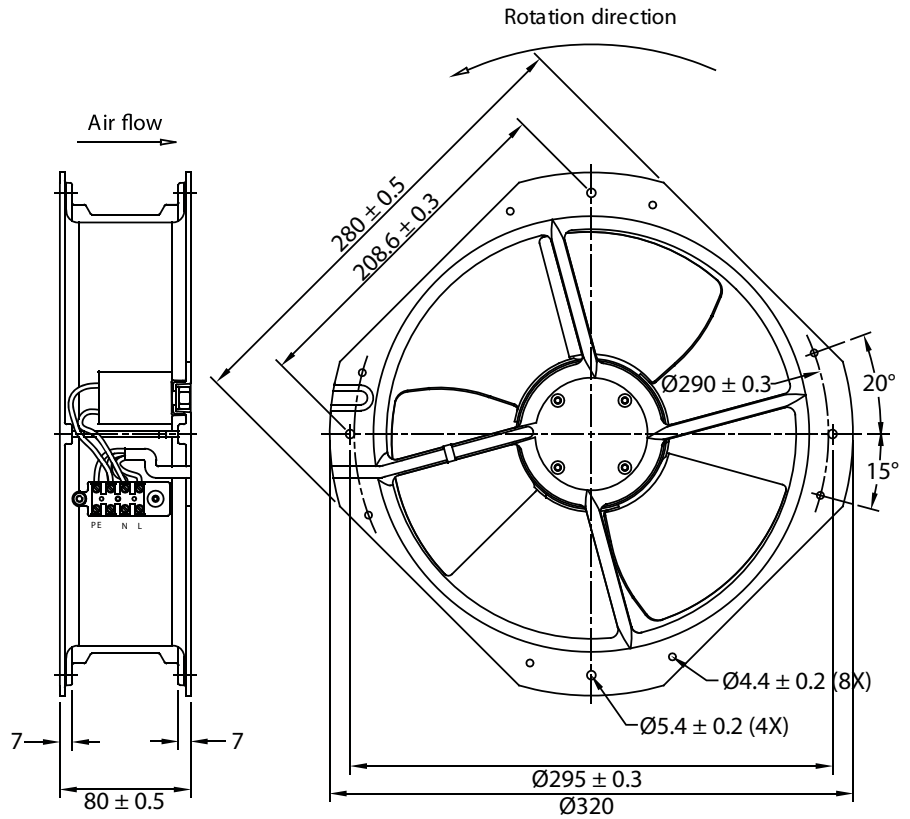
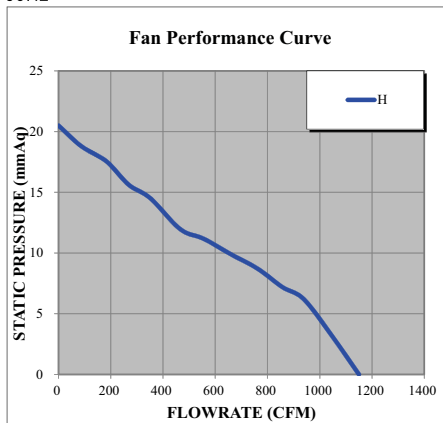
Indicates "-L" (100,000 Hours Life Expectancy) or Leave Blank (50,000 Hours Life Expectancy)

Noise is measured at the distance of one (1) meter from the axis of intake.

50Hz



60Hz





IP56M

Features:

- Motor: Brushless DC
- Motor Protection: IC
- Bearing Type: Two Ball
- Connection: UL 1007 AWG 22, 360mm Wire Leads
- Frame Material: Aluminum Alloy
- Impeller Material: Plastic UL94V-0
- **IP56M Certified**
- Operating Temp:
Two Ball: -20°C~70°C
- Life Expectancy:
Two Ball: 50,000 Hours
Two Ball: 100,000 Hours (-L)



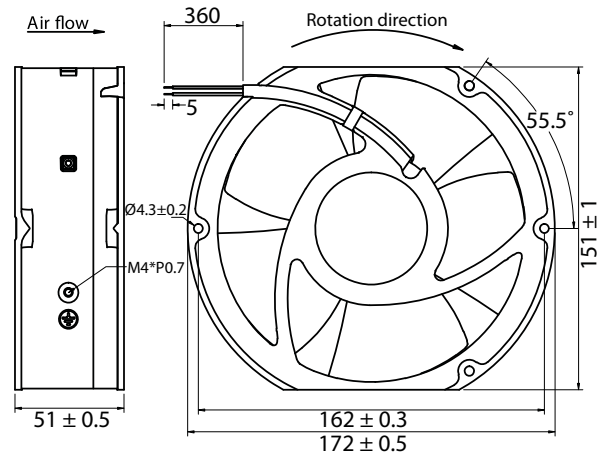
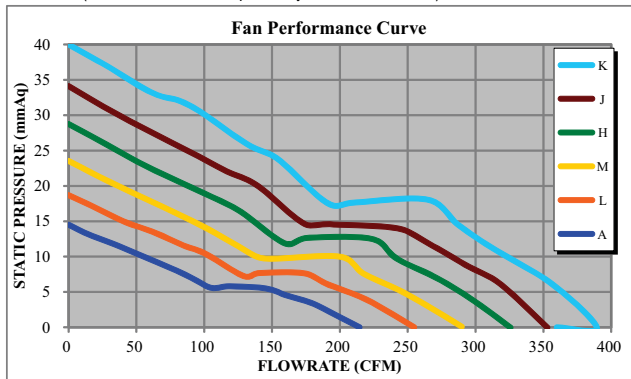
Fan-S Division



Model No.	Volt.	Current	Power	Rated Speed	Maximum AirFlow		Maximum Static Pressure		Noise Level	Weight
	(VDC)	(A)	(W)	(rpm)	(CMM)	(CFM)	(InAq)	(mmAq)	(dB/A)	(g)
FDD1-17251CBAW3 * #	12	1.31	15.72	2800	6.23	220	0.571	14.5	52.0	1070
FDD1-17251CBLW3 * #	12	1.88	22.56	3200	7.22	255	0.736	18.7	56.0	1070
FDD1-17251CBMW3 * #	12	2.75	33.00	3600	8.21	290	0.925	23.5	60.0	1070
FDD1-17251CBHW3 * #	12	3.73	44.76	4000	9.20	325	1.134	28.8	64.0	1070
FDD1-17251DBAW3 * #	24	0.65	15.60	2800	6.23	220	0.571	14.5	52.0	1070
FDD1-17251DBLW3 * #	24	0.89	21.36	3200	7.22	255	0.736	18.7	56.0	1070
FDD1-17251DBMW3 * #	24	1.21	29.04	3600	8.21	290	0.925	23.5	60.0	1070
FDD1-17251DBHW3 * #	24	1.69	40.56	4000	9.20	325	1.134	28.8	64.0	1070
FDD1-17251DBJW3 * #	24	2.41	57.84	4400	10.10	355	1.343	34.1	68.0	1070
FDD1-17251DBKW3 * #	24	2.94	70.56	4800	11.00	390	1.587	40.3	72.0	1070
FDD1-17251EBAW3 * #	48	0.33	15.84	2800	6.23	220	0.571	14.5	52.0	1070
FDD1-17251EBLW3 * #	48	0.45	21.60	3200	7.22	255	0.736	18.7	56.0	1070
FDD1-17251EBMW3 * #	48	0.60	28.80	3600	8.21	290	0.925	23.5	60.0	1070
FDD1-17251EBHW3 * #	48	0.79	37.92	4000	9.20	325	1.134	28.8	64.0	1070
FDD1-17251EBJW3 * #	48	1.15	55.20	4400	10.10	355	1.343	34.1	68.0	1070
FDD1-17251EBKW3 * #	48	1.48	71.04	4800	11.00	390	1.587	40.3	72.0	1070

* Indicates "2" (No Special Function), "3" (Alarm), "4" (Speed Sensor), "9" (PWM), "B" (PWM + Speed Sensor) or "C" (Alarm + Speed Sensor)
Indicates "-L56" (100,000 Hours Life Expectancy and IP56M Rated) or "-56" (50,000 Hours Life Expectancy and IP56M Rated)

Noise is measured at the distance of one (1) meter from the axis of intake.





SALT FOG

Features:

- Motor: External Rotor Capacitor-Run Induction Motor
- Motor Protection: Thermal Protected
- Bearing Type: Two Ball
- Connection: UL 1015 AWG 22, 300mm Wire Leads or Terminal
- Frame Material: Aluminum Alloy
- Impeller Material: Plastic UL94V-0, or Steel
- **Salt Fog Rated** - GR-487-CORE, ASTM B117-11, ISO 9227 Compliant
- **IP56M Certified**
- Operating Temp:
Two Ball: -20°C~70°C
- Life Expectancy:
Two Ball: 70,000 Hours



Fan-S Division



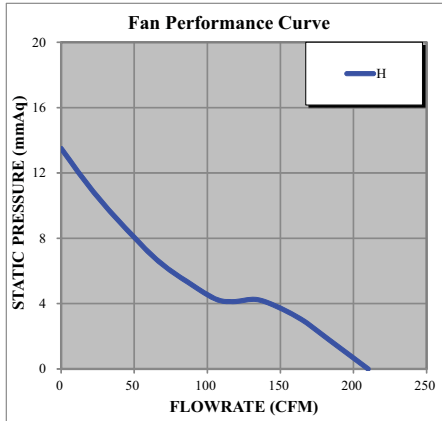
Model No.	Volt.	Freq.	Current	Power	Rated Speed	Maximum AirFlow		Maximum Static Pressure		Noise Level	Weight
	(VAC)	(Hz)	(A)	(W)	(rpm)	(CMM)	(CFM)	(InAq)	(mmAq)	(dB/A)	(g)
FDA2-17238NBH * ** F-SF	115	50/60	0.25/0.21	27.0/25.0	2700/3100	5.95/6.80	210/240	0.531/0.571	13.5/14.5	53.0/59.0	820
FDA2-17238QBH * ** F-SF	230	50/60	0.11/0.12	26.0/27.0	2700/3100	5.95/6.80	210/240	0.531/0.571	13.5/14.5	53.0/59.0	820

* Indicates "W" (Wire Leads) or "T" (Terminal)

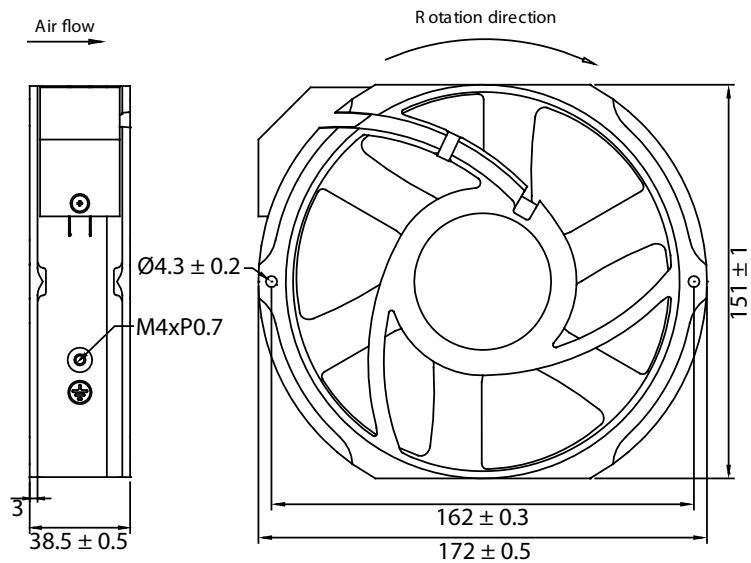
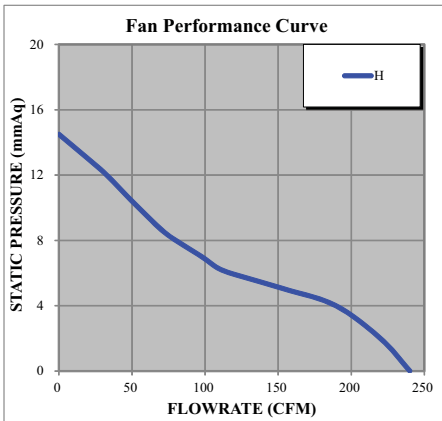
Noise is measured at the distance of one (1) meter from the axis of intake.

** Indicates "3" (Metal Frame, Plastic Impeller) or "4" (Metal Frame and Impeller)

50Hz



60Hz





Features:

- Motor: External Rotor Capacitor-Run Induction Motor
- Motor Protection: Thermal Protected
- Bearing Type: Two Ball
- Connection: UL 1015 AWG 22, 300mm Wire Leads or Terminal
- Frame Material: Aluminum Alloy
- Impeller Material: Plastic UL94V-0, or Steel
- **Salt Fog Rated - GR-487-CORE, ASTM B117-11, ISO 9227 Compliant**
- **IP56M Certified**
- Operating Temp:
Two Ball: -20°C~70°C
- Life Expectancy:
Two Ball: 70,000 Hours



SALT FOG

Fan-S Division



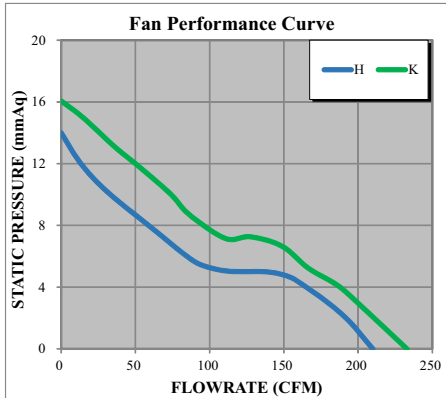
Model No.	Volt.	Freq.	Current	Power	Rated Speed	Maximum AirFlow		Maximum Static Pressure		Noise Level	Weight
	(VAC)	(Hz)	(A)	(W)	(rpm)	(CMM)	(CFM)	(InAq)	(mmAq)	(dB/A)	(g)
FDA2-17251NBK * 3F-SF	115	50/60	0.22/0.24	24.0/27.0	2800/3300	6.51/7.78	230/275	0.649/0.768	16.5/19.5	54.0/60.0	890
FDA2-17251QBK * 3F-SF	230	50/60	0.11/0.12	24.0/27.0	2800/3300	6.51/7.78	230/275	0.649/0.768	16.5/19.5	54.0/60.0	890
FDA2-17251NBH ** F-SF	115	50/60	0.25/0.21	27.0/25.0	2700/3100	5.95/7.08	210/250	0.551/0.610	14.0/15.5	53.0/59.0	940
FDA2-17251QBH ** F-SF	230	50/60	0.11/0.12	26.0/27.0	2700/3100	5.95/7.08	210/250	0.551/0.610	14.0/15.5	53.0/59.0	940

* Indicates "W" (Wire Leads) or "T" (Terminal)

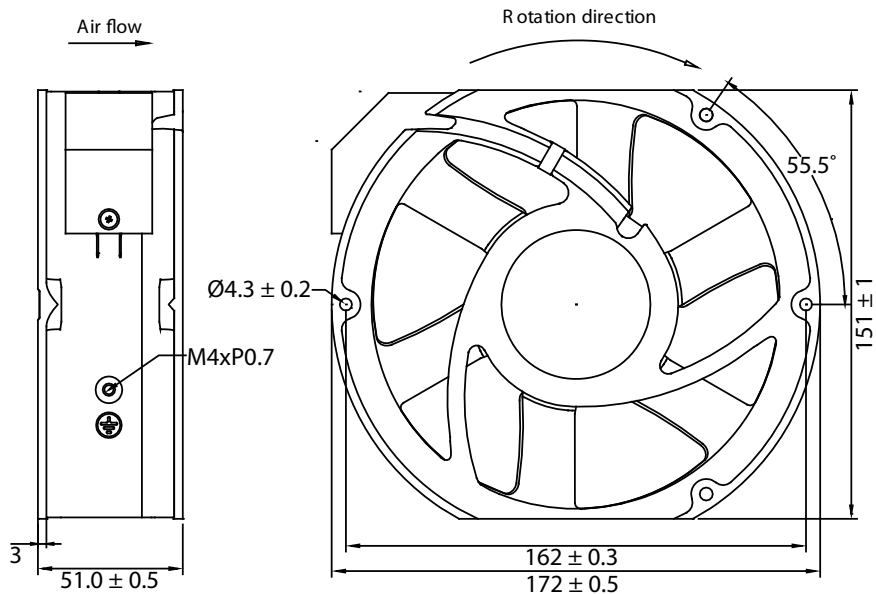
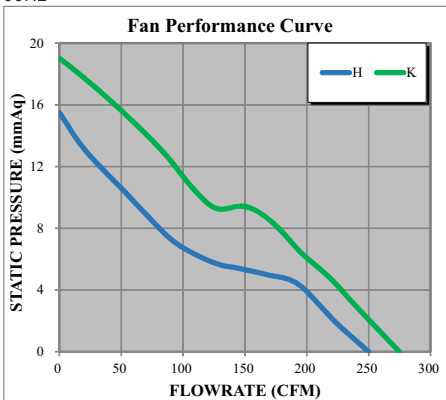
Noise is measured at the distance of one (1) meter from the axis of intake.

** Indicates "3" (Metal Frame, Plastic Impeller) or "4" (Metal Frame and Impeller)

50Hz



60Hz





Features:

- Motor: External Rotor Capacitor-Run Induction Motor
- Motor Protection: Thermal Protected
- Bearing Type: Two Ball
- Connection: UL 1015 AWG 22, 300mm Wire Leads or Terminal
- Frame Material: Aluminum Alloy
- Impeller Material: Plastic UL94V-0, or Steel
- **Salt Fog Rated** - GR-487-CORE, ASTM B117-11, ISO 9227 Compliant
- **IP56M Certified**
- Operating Temp:
Two Ball: -20°C~70°C
- Life Expectancy:
Two Ball: 70,000 Hours



SALT FOG

Fan-S Division

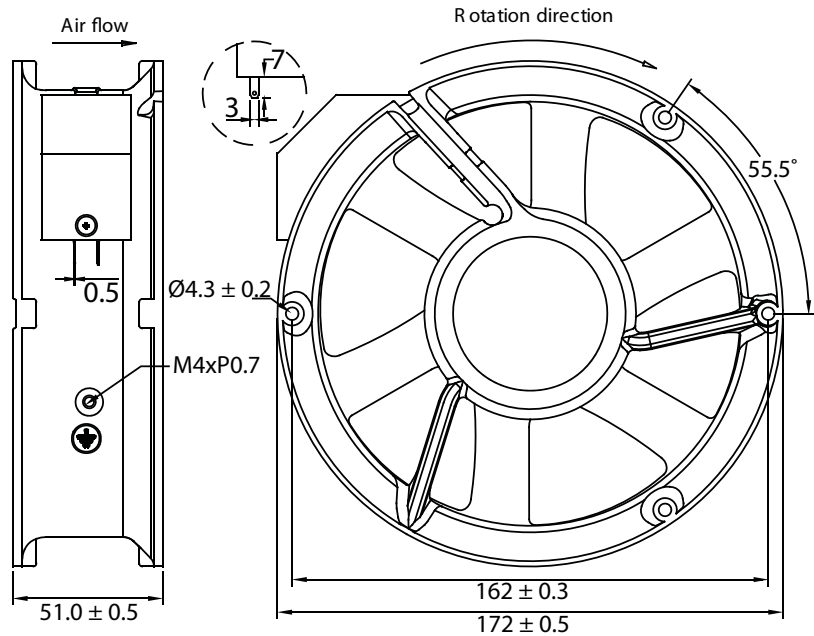
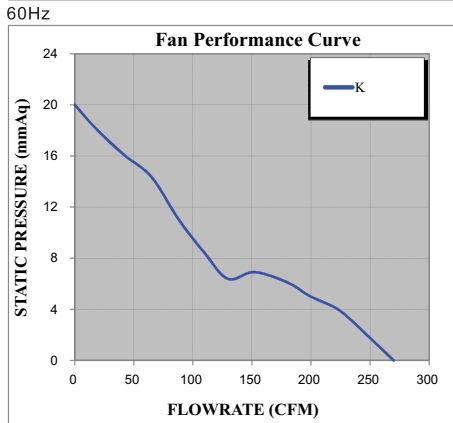
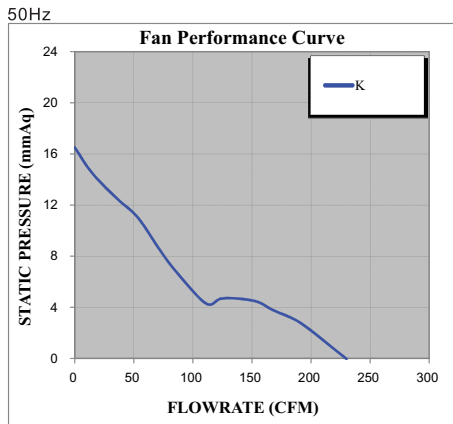


Model No.	Volt.	Freq.	Current	Power	Rated Speed	Maximum AirFlow		Maximum Static Pressure		Noise Level	Weight
	(VAC)	(Hz)	(A)	(W)	(rpm)	(CMM)	(CFM)	(InAq)	(mmAq)	(dB/A)	(g)
FDA2-R17251NBK * ** F-SF	115	50/60	0.27/0.23	26.0/26.0	2800/3300	6.51/7.65	230/270	0.649/0.787	16.5/20.0	55.0/61.0	1080
FDA2-R17251QBK * ** F-SF	230	50/60	0.10/0.11	23.0/26.0	2800/3300	6.51/7.65	230/270	0.649/0.787	16.5/20.0	55.0/61.0	1080

* Indicates "W" (Wire Leads) or "T" (Terminal)

Noise is measured at the distance of one (1) meter from the axis of intake.

** Indicates "3" (Metal Frame, Plastic Impeller) or "4" (Metal Frame and Impeller)





Features:

- Motor: External Rotor Capacitor-Run Induction Motor
- Motor Protection: Thermal Protected
- Bearing Type: Two Ball
- Connection: UL 1015 AWG 22, 360mm Wire Leads or Terminal
- Frame Material: Aluminum Alloy
- Impeller Material: Plastic UL94V-0, or Steel
- **Salt Fog Rated - GR-487-CORE, ASTM B117-11, ISO 9227 Compliant**
- **IP56M Certified**
- Operating Temp:
Two Ball: -20°C~70°C
- Life Expectancy:
Two Ball: 70,000 Hours



SALT FOG

Fan-S Division



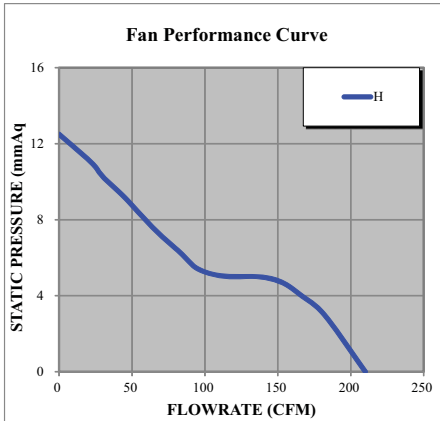
Model No.	Volt.	Freq.	Current	Power	Rated Speed	Maximum AirFlow		Maximum Static Pressure		Noise Level	Weight
	(VAC)	(Hz)	(A)	(W)	(rpm)	(CMM)	(CFM)	(InAq)	(mmAq)	(dB/A)	(g)
FDA2-17255NBH ** F-SF	115	50/60	0.25/0.21	27.0/25.0	2700/3100	5.95/6.80	210/240	0.492/0.531	12.5/13.5	57.0/61.0	840
FDA2-17255QBH ** F-SF	230	50/60	0.11/0.12	26.0/27.0	2700/3100	5.95/6.80	210/240	0.492/0.531	12.5/13.5	57.0/61.0	840

* Indicates "W" (Wire Leads) or "T" (Terminal)

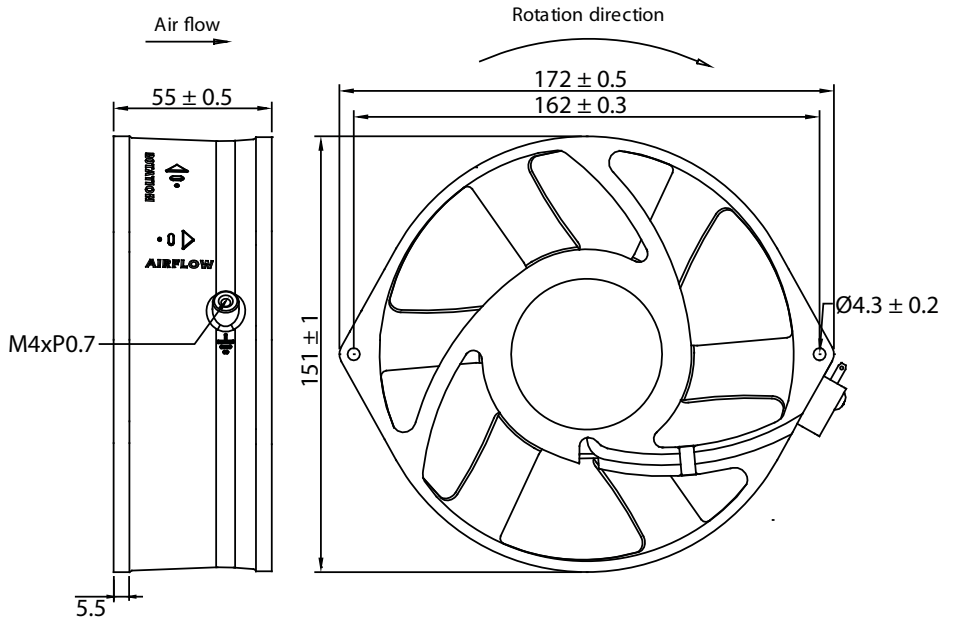
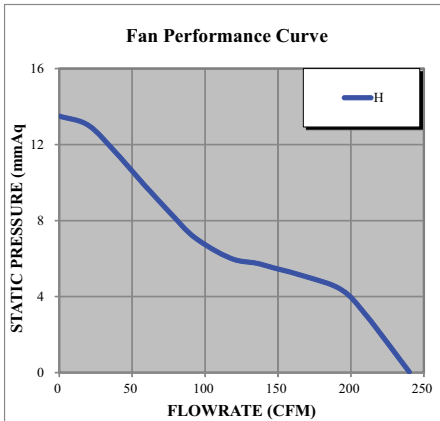
Noise is measured at the distance of one (1) meter from the axis of intake.

** Indicates "3" (Metal Frame, Plastic Impeller) or "4" (Metal Frame and Impeller)

50Hz



60Hz





Features:

- Motor: External Rotor Capacitor-Run Induction Motor
- Motor Protection: Thermal Protected
- Bearing Type: Two Ball
- Connection: Terminal Block
- Frame Material: Aluminum Alloy
- Impeller Material: Steel
- **Salt Fog Rated** - GR-487-CORE, ASTM B117-11, ISO 9227 Compliant
- **IP56M Certified**
- Operating Temp:
Two Ball: -20°C~70°C
- Life Expectancy:
Two Ball: 70,000 Hours



SALT FOG

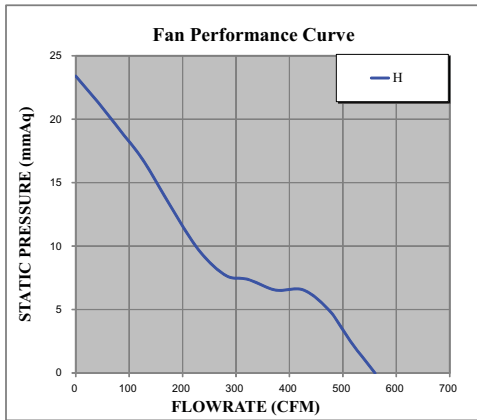
Fan-S Division



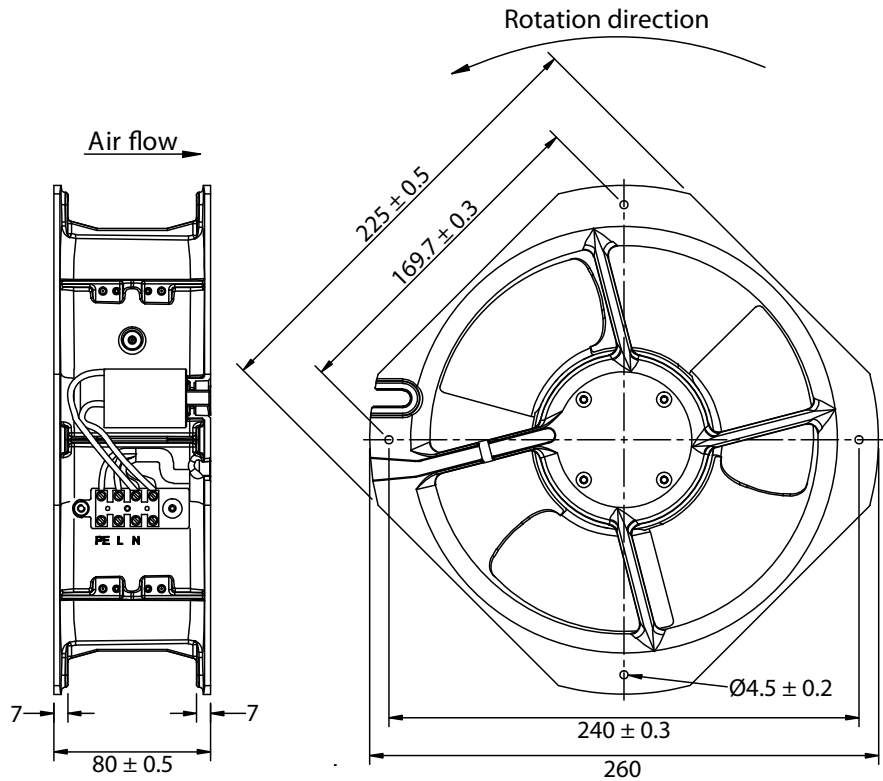
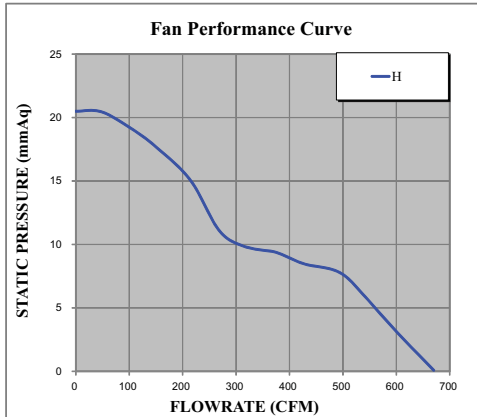
Model No.	Volt.	Freq.	Current	Power	Rated Speed	Maximum AirFlow		Maximum Static Pressure		Noise Level	Weight
	(VAC)	(Hz)	(A)	(W)	(rpm)	(CMM)	(CFM)	(InAq)	(mmAq)	(dB/A)	(g)
FDA2-22580NBHK4F-SF	115	50/60	0.61/0.62	53.0/68.0	2800/3200	16.4/19.0	580/670	0.925/0.807	23.5/20.5	68.0/71.0	2750
FDA2-22580QBHK4F-SF	230	50/60	0.26/0.31	53.0/68.0	2800/3200	16.4/19.0	580/670	0.925/0.807	23.5/20.5	68.0/71.0	2750

Noise is measured at the distance of one (1) meter from the axis of intake.

50Hz



60Hz





Features:

- Motor: External Rotor Capacitor-Run Induction Motor
- Motor Protection: Thermal Protected
- Bearing Type: Two Ball
- Connection: UL 1015 AWG 22, 300mm Wire Leads or Terminal
- Frame Material: Aluminum Alloy
- Impeller Material: Steel
- **Salt Fog Rated - GR-487-CORE, ASTM B117-11, ISO 9227 Compliant**
- **IP56M Certified**
- Operating Temp:
Two Ball: -20°C~70°C
- Life Expectancy:
Two Ball: 70,000 Hours



SALT FOG

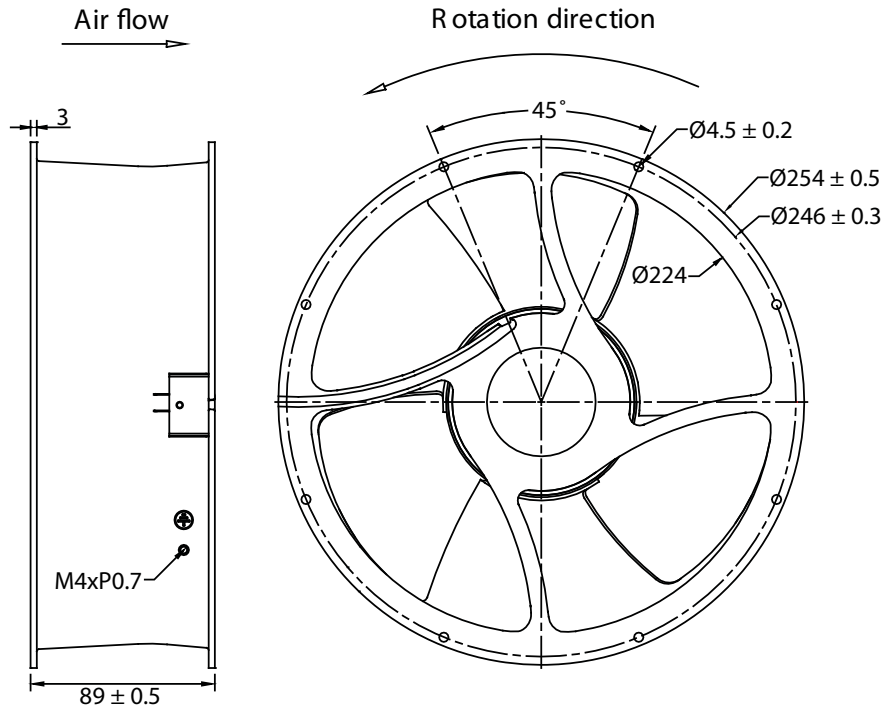
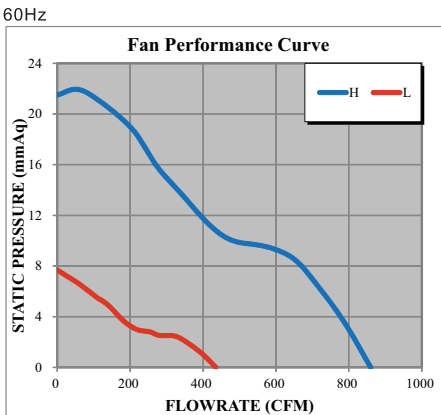
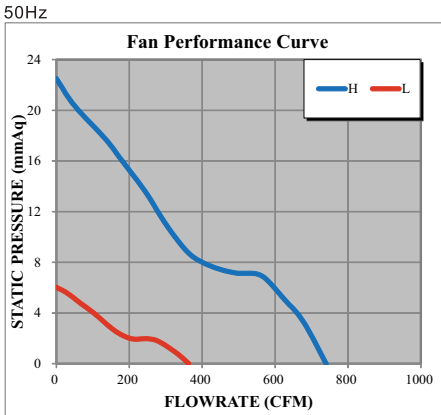
Fan-S Division



Model No.	Volt.	Freq.	Current	Power	Rated Speed	Maximum AirFlow		Maximum Static Pressure		Noise Level	Weight
	(VAC)	(Hz)	(A)	(W)	(rpm)	(CMM)	(CFM)	(InAq)	(mmAq)	(dB/A)	(g)
FDA2-25489NBH * 4F-SF	115	50/60	0.58/0.88	66.0/97.0	2800/3200	20.94/24.34	740/860	0.886/0.846	22.5/21.5	66.0/68.0	2750
FDA2-25489QBH * 4F-SF	230	50/60	0.28/0.42	64.0/92.0	2800/3200	20.94/24.34	740/860	0.886/0.846	22.5/21.5	66.0/68.0	2750
FDA2-25489NBL * 4F-SF	115	50/60	0.34/0.28	30.0/29.0	1400/1650	9.54/12.45	337/440	0.240/0.307	6.1/7.8	50.0/52.0	2750
FDA2-25489QBL * 4F-SF	230	50/60	0.17/0.14	32.0/32.0	1400/1650	9.54/12.45	337/440	0.240/0.307	6.1/7.8	50.0/52.0	2750

* Indicates "W" (Wire Leads) or "T" (Terminal)

Noise is measured at the distance of one (1) meter from the axis of intake.





Features:

- Motor: External Rotor Capacitor-Run Induction Motor
- Motor Protection: Thermal Protected
- Bearing Type: Two Ball
- Connection: Terminal Block
- Frame Material: Aluminum Alloy
- Impeller Material: Steel
- **Salt Fog Rated** - GR-487-CORE, ASTM B117-11, ISO 9227 Compliant
- **IP56M Certified**
- Operating Temp:
Two Ball: -20°C~70°C
- Life Expectancy:
Two Ball: 70,000 Hours



SALT FOG

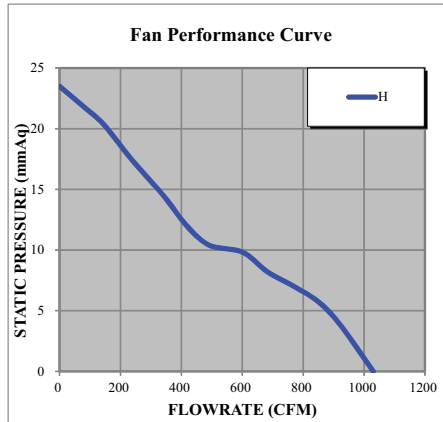
Fan-S Division



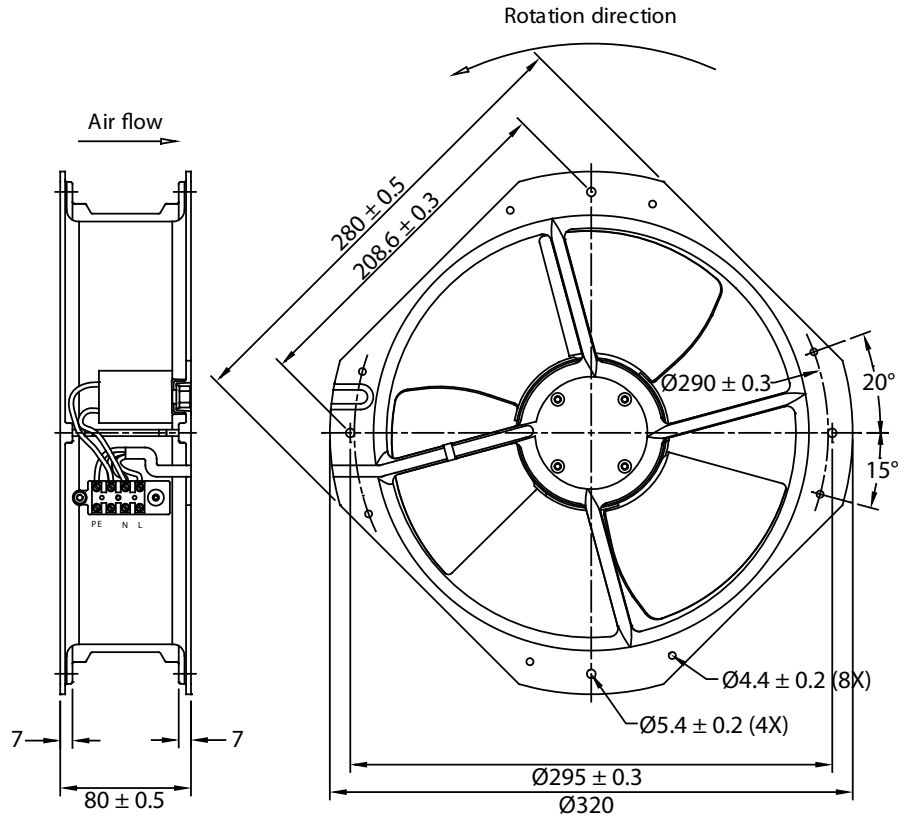
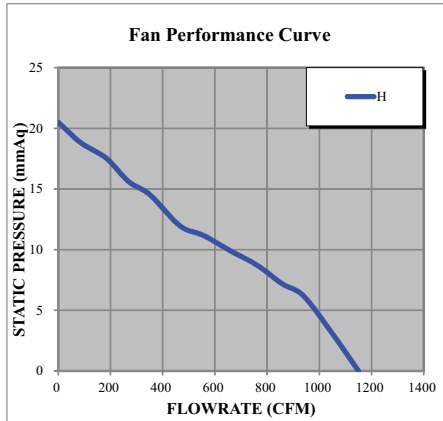
Model No.	Volt.	Freq.	Current	Power	Rated Speed	Maximum AirFlow		Maximum Static Pressure		Noise Level	Weight
	(VAC)	(Hz)	(A)	(W)	(rpm)	(CMM)	(CFM)	(InAq)	(mmAq)	(dB/A)	(g)
FDA2-28080NBHK4F-SF	115	50/60	0.81/1.20	94.0/136.0	2650/2900	29.15/32.55	1030/1150	0.925/0.807	23.5/20.5	70.0/73.0	3050
FDA2-28080QBHK4F-SF	230	50/60	0.43/0.63	95.0/138.0	2650/2900	29.15/32.55	1030/1150	0.925/0.807	23.5/20.5	70.0/73.0	3050

Noise is measured at the distance of one (1) meter from the axis of intake.

50Hz



60Hz



AC CENTRIFUGAL FANS

- Size: 133mm - 250mm
- Bearing Type: 2-ball
- Voltage: 115 - 230 VAC
- Motor Types: AC induction
- Electrical Connection: wire leads
- Insulation class F





Features:

- Motor: AC Induction Motor
- Motor Protection: Thermal Protected
- Insulation Class F
- Bearing Type: Two Ball
- Connection: UL 1015 AWG 22, 400mm Wire Leads
- Rotor Material: Aluminum Alloy
- Impeller Material: Plastic UL94V-0
- Operating Temp:
Two Ball: -20°C~70°C
- Life Expectancy:
Two Ball: 70,000 Hours
Two Ball: 100,000 Hours (-L)



Fan-S Division



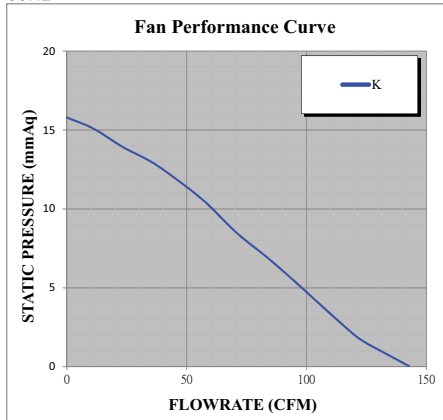
pending CE

Model No.	Volt.	Freq.	Current	Power	Rated Speed	Maximum AirFlow		Maximum Static Pressure		Noise Level	Weight
	(VAC)	(Hz)	(A)	(W)	(rpm)	(CMM)	(CFM)	(InAq)	(mmAq)	(dB/A)	(g)
FDA5-13380NBKW3F #	115	50/60	0.26/0.24	26.0/28.0	2800/3200	4.11/4.67	145/165	0.591/0.827	15.0/21.0	62.0/65.0	800
FDA5-13380QBKW3F #	230	50/60	0.10/0.12	23.0/27.0	2800/3200	4.11/4.67	145/165	0.591/0.827	15.0/21.0	62.0/65.0	800

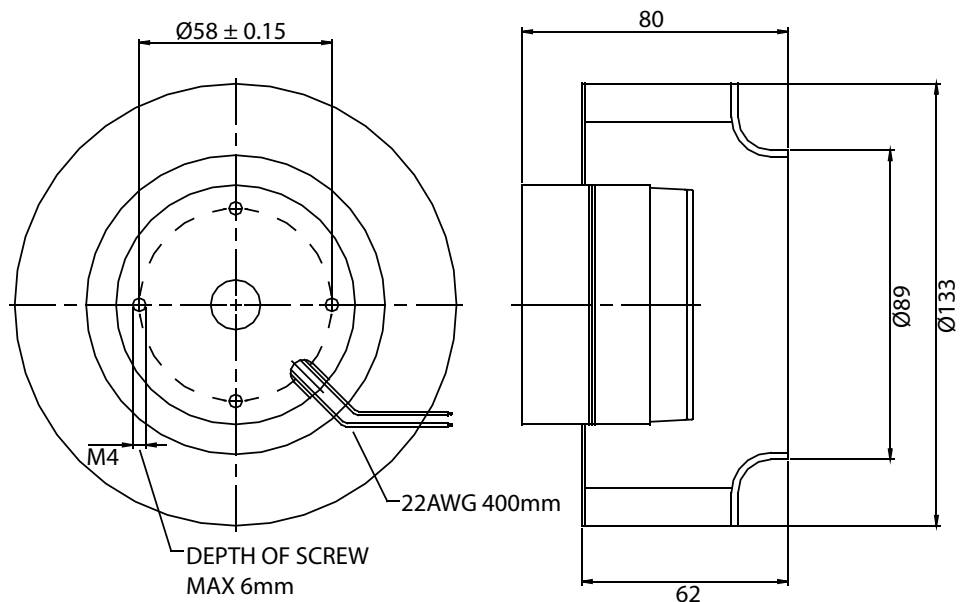
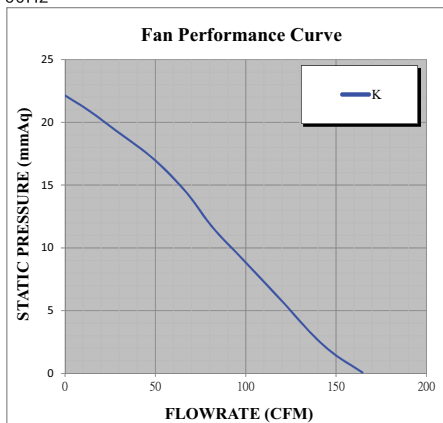
Indicates "-L" (100,000 Hours Life Expectancy) or Leave Blank (70,000 Hours Life Expectancy)

Noise is measured at the distance of one (1) meter from the axis of intake.

50Hz



60Hz





Features:

- Motor: AC Induction Motor
- Motor Protection: Thermal Protected
- Insulation Class F
- Bearing Type: Two Ball
- Connection: UL 1015 AWG 22, 400mm Wire Leads
- Rotor Material: Aluminum Alloy
- Impeller Material: Plastic UL94V-0
- Operating Temp:
Two Ball: -20°C~70°C
- Life Expectancy:
Two Ball: 70,000 Hours
Two Ball: 100,000 Hours (-L)



Fan-S Division



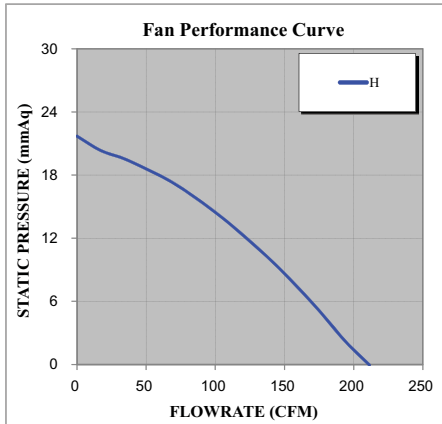
pending CE

Model No.	Volt.	Freq.	Current	Power	Rated Speed	Maximum AirFlow		Maximum Static Pressure		Noise Level	Weight
	(VAC)	(Hz)	(A)	(W)	(rpm)	(CMM)	(CFM)	(InAq)	(mmAq)	(dB/A)	(g)
FDA5-17065NBHW3F #	115	50/60	0.26/0.27	27.0/31.0	2750/3100	5.95/6.80	210/240	0.866/1.102	22.0/28.0	67.0/69.0	900
FDA5-17065QBHW3F #	230	50/60	0.10/0.13	24.0/30.0	2750/3100	5.95/6.80	210/240	0.866/1.102	22.0/28.0	67.0/69.0	900

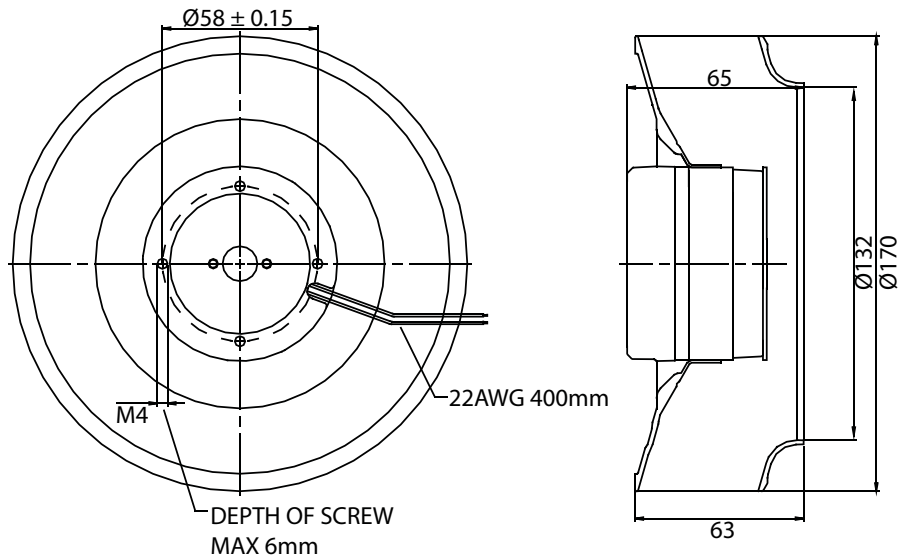
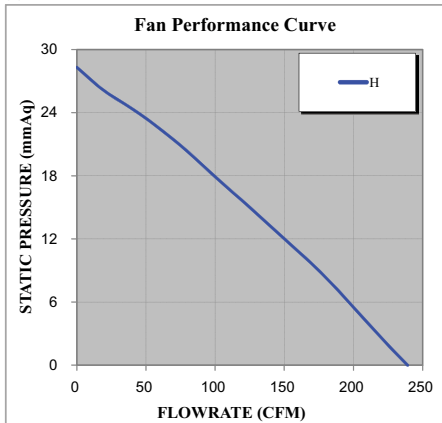
Indicates "L" (100,000 Hours Life Expectancy) or Leave Blank (70,000 Hours Life Expectancy)

Noise is measured at the distance of one (1) meter from the axis of intake.

50Hz



60Hz





Features:

- Motor: AC Induction Motor
- Motor Protection: Thermal Protected
- Insulation Class F
- Bearing Type: Two Ball
- Connection: UL 1015 AWG 22, 400mm Wire Leads
- Rotor Material: Aluminum Alloy
- Impeller Material: Plastic UL94V-0
- Operating Temp:
Two Ball: -20°C~70°C
- Life Expectancy:
Two Ball: 70,000 Hours



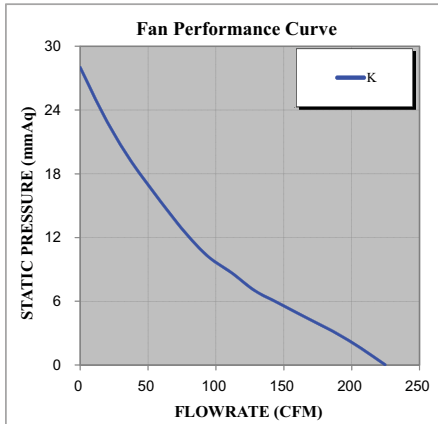
Fan-S Division



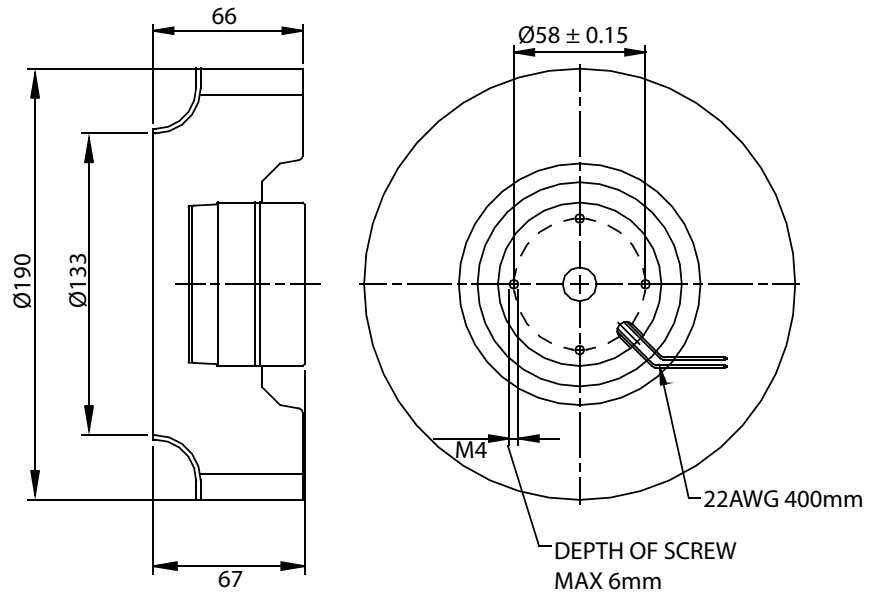
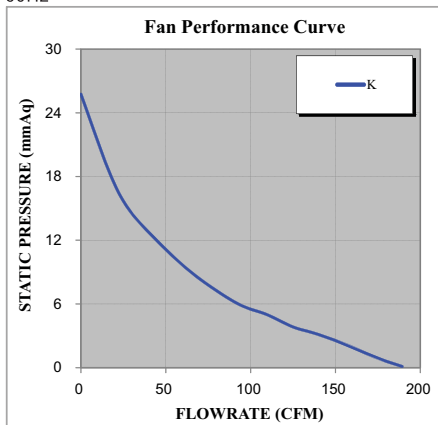
Model No.	Volt.	Freq.	Current	Power	Rated Speed	Maximum AirFlow		Maximum Static Pressure		Noise Level	Weight
	(VAC)	(Hz)	(A)	(W)	(rpm)	(CMM)	(CFM)	(InAq)	(mmAq)	(dB/A)	(g)
FDA5-19067NBKW3F	115	50/60	0.39/0.42	45.0/48.0	2000/1800	6.37/5.38	225/190	1.102/1.024	28.0/26.0	61.0/59.0	890
FDA5-19067QBKW3F	230	50/60	0.17/0.19	39.0/44.0	2000/1800	6.51/5.66	230/200	1.102/1.102	28.0/28.0	61.0/59.0	890

Noise is measured at the distance of one (1) meter from the axis of intake.

50Hz



60Hz





Features:

- Motor: AC Induction Motor
- Motor Protection: Thermal Protected
- Insulation Class F
- Bearing Type: Two Ball
- Connection: UL 1015 AWG 22, 400mm Wire Leads
- Rotor Material: Aluminum Alloy
- Impeller Material: Plastic UL94V-0
- Operating Temp:
Two Ball: -20°C~70°C
- Life Expectancy:
Two Ball: 70,000 Hours



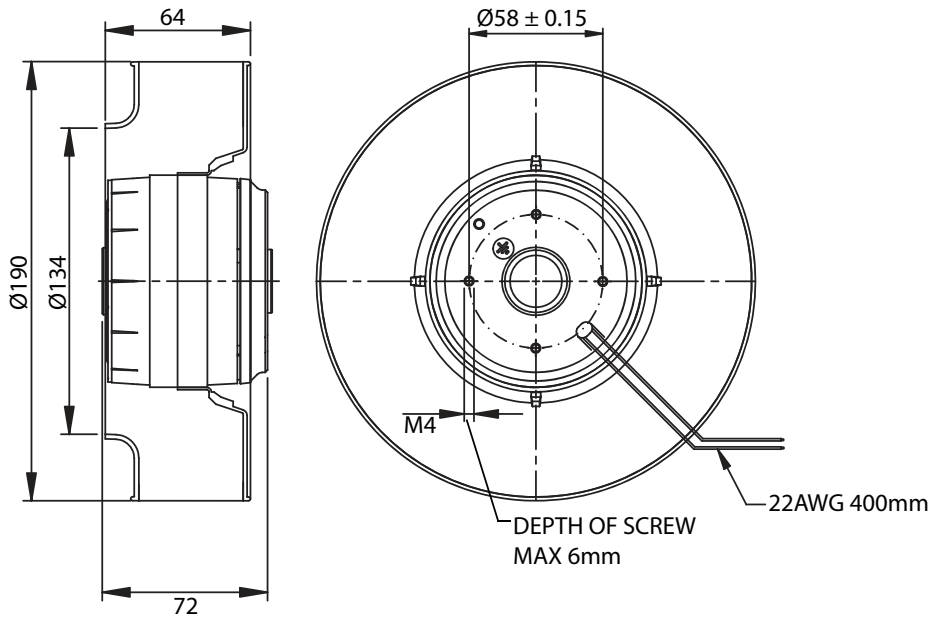
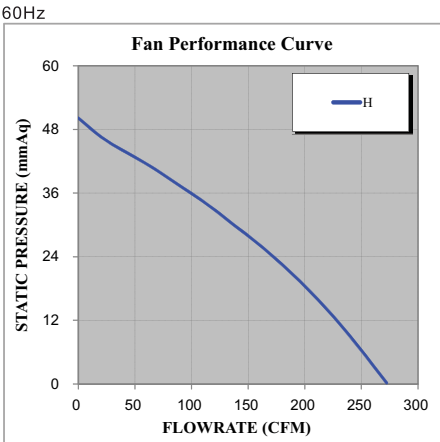
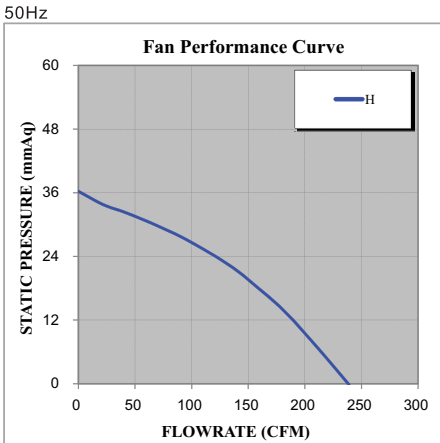
Fan-S Division



pending CE    

Model No.	Volt.	Freq.	Current	Power	Rated Speed	Maximum AirFlow		Maximum Static Pressure		Noise Level	Weight
	(VAC)	(Hz)	(A)	(W)	(rpm)	(CMM)	(CFM)	(InAq)	(mmAq)	(dB/A)	(g)
FDA5-19072NBHW3F	115	50/60	0.70/0.60	72.0/70.0	2650/3000	6.80/7.79	240/275	1.299/2.008	33.0/51.0	70.0/73.0	1820
FDA5-19072QBHW3F	230	50/60	0.25/0.30	52.0/71.0	2800/3200	6.80/7.79	240/275	1.457/2.008	37.0/51.0	70.0/73.0	1820

Noise is measured at the distance of one (1) meter from the axis of intake.





Features:

- Motor: AC Induction Motor
- Motor Protection: Thermal Protected
- Insulation Class F
- Bearing Type: Two Ball
- Connection: UL 1015 AWG 22, 400mm Wire Leads
- Rotor Material: Aluminum Alloy
- Impeller Material: Plastic UL94V-0
- Operating Temp:
Two Ball: -20°C~70°C
- Life Expectancy:
Two Ball: 70,000 Hours



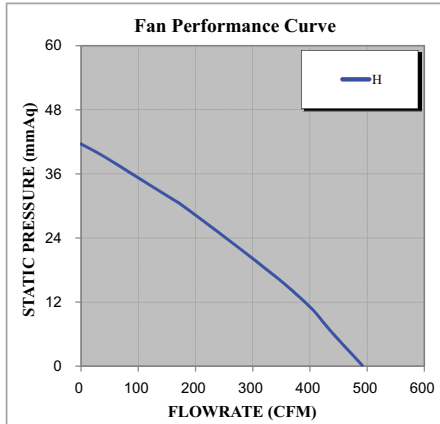
Fan-S Division



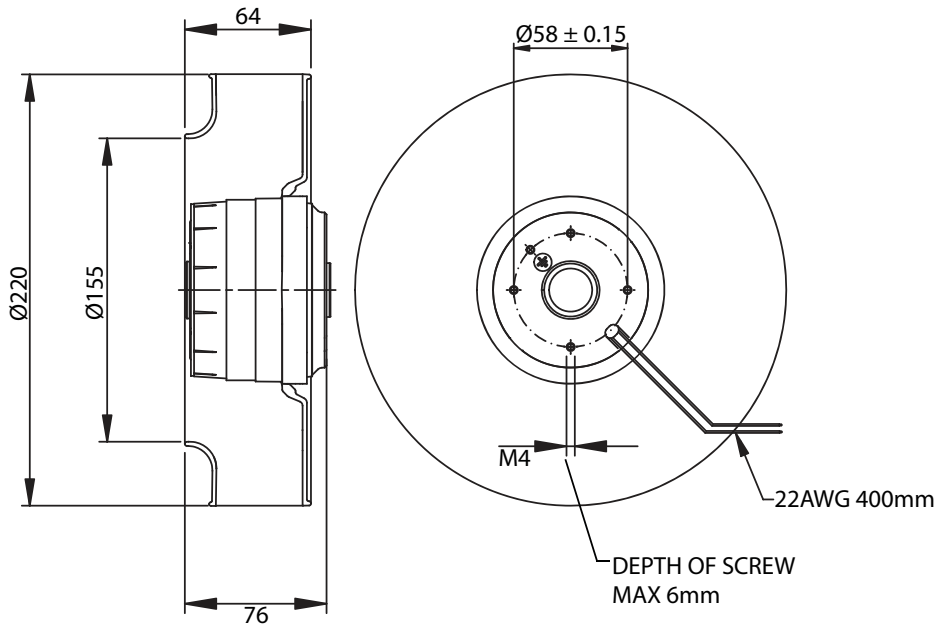
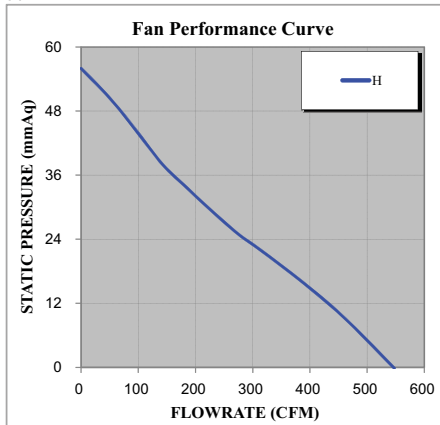
Model No.	Volt.	Freq.	Current	Power	Rated Speed	Maximum AirFlow		Maximum Static Pressure		Noise Level	Weight
	(VAC)	(Hz)	(A)	(W)	(rpm)	(CMM)	(CFM)	(InAq)	(mmAq)	(dB/A)	(g)
FDA5-22076NBHW3F	115	50/60	0.70/1.00	82.0/115.0	2650/2950	13.88/15.57	490/550	1.575/2.165	40.0/55.0	75.0/78.0	1980
FDA5-22076QBHW3F	230	50/60	0.35/0.50	82.0/115.0	2650/2950	13.88/15.57	490/550	1.575/2.165	40.0/55.0	75.0/78.0	1980

Noise is measured at the distance of one (1) meter from the axis of intake.

50Hz



60Hz





Features:

- Motor: AC Induction Motor
- Motor Protection: Thermal Protected
- Insulation Class F
- Bearing Type: Two Ball
- Connection: UL 1015 AWG 22, 400mm Wire Leads
- Rotor Material: Aluminum Alloy
- Impeller Material: Plastic UL94V-0
- Operating Temp:
Two Ball: -20°C~70°C
- Life Expectancy:
Two Ball: 70,000 Hours



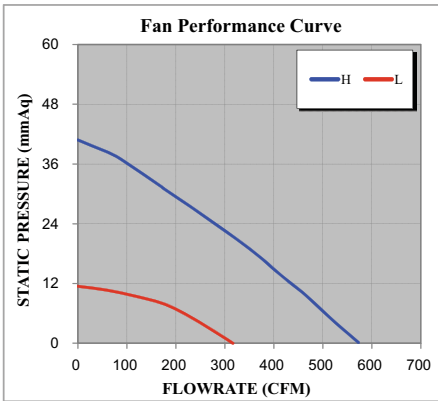
Fan-S Division



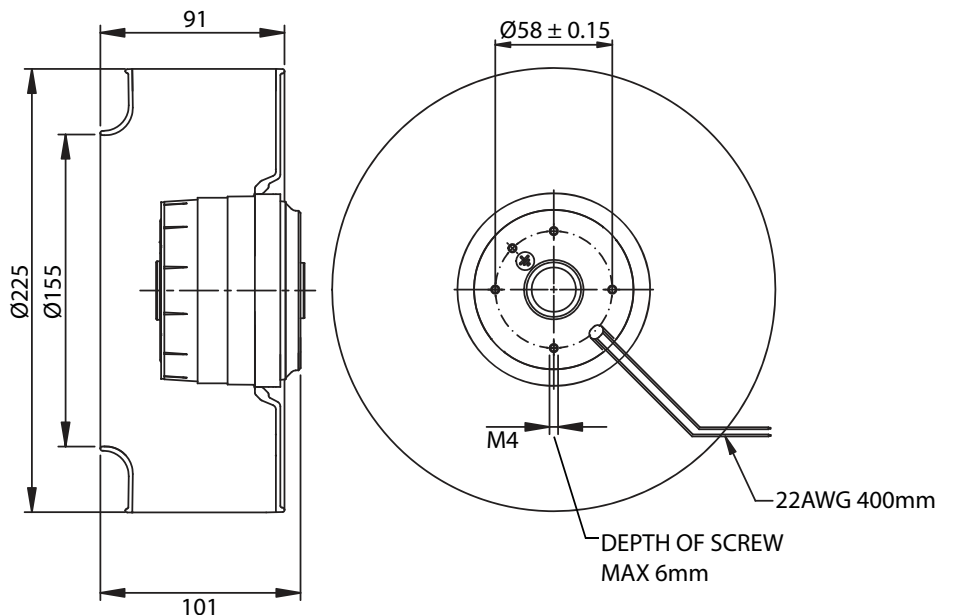
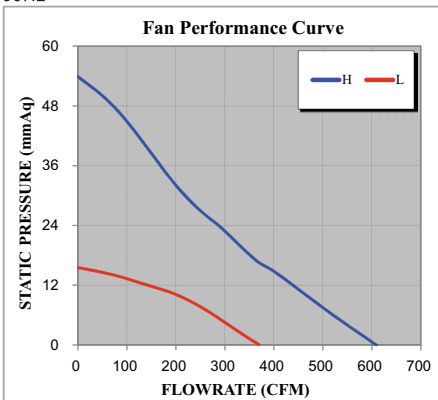
Model No.	Volt.	Freq.	Current	Power	Rated Speed	Maximum AirFlow		Maximum Static Pressure		Noise Level	Weight
	(VAC)	(Hz)	(A)	(W)	(rpm)	(CMM)	(CFM)	(InAq)	(mmAq)	(dB/A)	(g)
FDA5-225101NBHW3F	115	50/60	0.93/1.30	109.0/145.0	2500/2650	15.01/15.86	530/560	1.614/2.126	41.0/54.0	72.0/74.0	1985
FDA5-225101QBHW3F	230	50/60	0.49/0.67	109.0/145.0	2600/2700	16.23/17.27	573/610	1.614/2.126	41.0/54.0	72.0/74.0	1985
FDA5-225101NBLW3F	115	50/60	0.32/0.40	36.5/47.0	1400/1700	9.06/10.48	320/370	0.453/0.610	11.5/15.5	58.0/59.0	1985
FDA5-225101QBLW3F	230	50/60	0.16/0.20	36.5/47.0	1400/1700	9.06/10.48	320/370	0.453/0.610	11.5/15.5	58.0/59.0	1985

Noise is measured at the distance of one (1) meter from the axis of intake.

50Hz



60Hz





Features:

- Motor: AC Induction Motor
- Motor Protection: Thermal Protected
- Insulation Class F
- Bearing Type: Two Ball
- Connection: UL 1015 AWG 22, 400mm Wire Leads
- Rotor Material: Aluminum Alloy
- Impeller Material: Plastic UL94V-0
- Operating Temp:
Two Ball: -20°C~70°C
- Life Expectancy:
Two Ball: 70,000 Hours



Fan-S Division

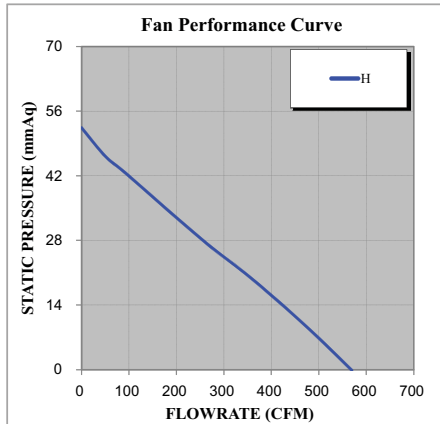


pending CE

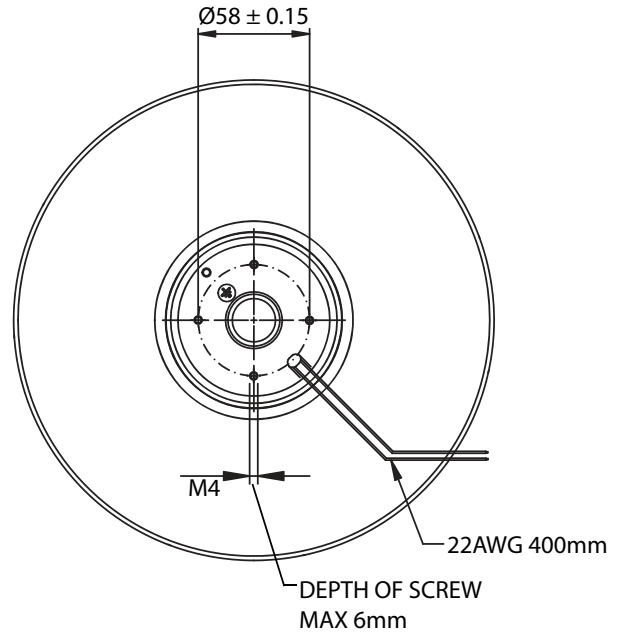
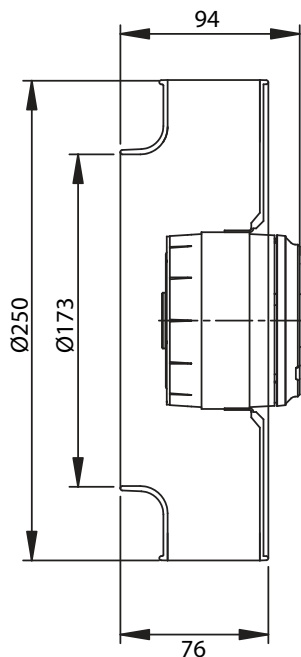
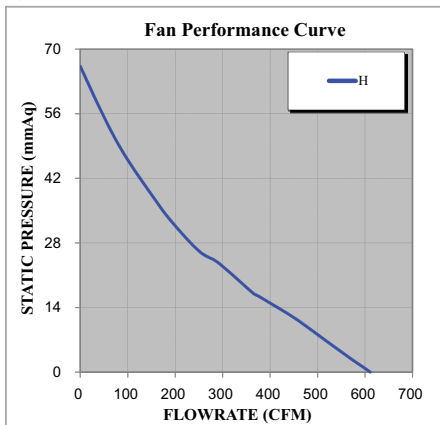
Model No.	Volt.	Freq.	Current	Power	Rated Speed	Maximum AirFlow		Maximum Static Pressure		Noise Level	Weight
	(VAC)	(Hz)	(A)	(W)	(rpm)	(CMM)	(CFM)	(InAq)	(mmAq)	(dB/A)	(g)
FDA5-25076NBHW3F	115	50/60	0.90/1.23	103.0/142.0	2600/2800	15.86/17.27	560/610	2.087/2.638	53.0/67.0	76.0/78.0	2090
FDA5-25076QBHW3F	230	50/60	0.48/0.66	106.0/148.0	2600/2800	15.86/17.27	560/610	2.087/2.638	53.0/67.0	76.0/78.0	2090

Noise is measured at the distance of one (1) meter from the axis of intake.

50Hz

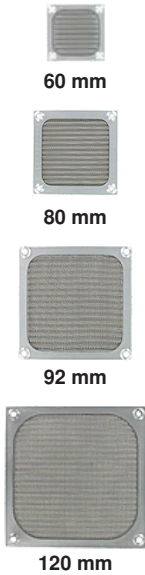


60Hz



ALUMINUM FAN FILTERS - 06 SERIES

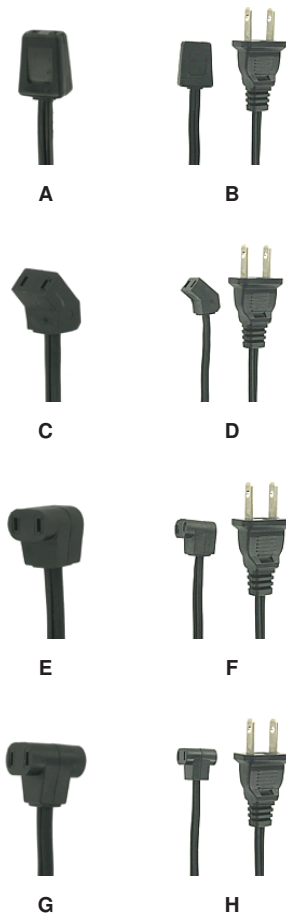
These tested and proven filters provide maximum airflow with effective filtering. Mill and stainless steel finishes are offered to enhance EMI/RFI shielding as well as an anodized finish for aesthetic purposes. The tightly woven corrugated mesh screen is encased in a formed aluminum frame built for ruggedness and durability. The filters are designed to fit any standard 60mm - 2 1/2", 80mm - 3 1/8", 92mm - 3 5/8" and 120mm - 4 1/2" tubeaxial fan. The units are easily washed in a solvent or degreaser and can be mounted directly to the fan or to a panel.



Part Number	Use With Fan Size		Finish	Size (in)		Mounting Hole Diameter	Mounting Hole Center
	mm	in.		Height (sq.)	Thickness		
60 mm - 2 1/2"							
06250-B	60	2 1/2	Anodized (Black)	2.36	.138	.170 (4 Places)	1.97
06250-M	60	2 1/2	Mill (No Finish)	2.36	.138	.170 (4 Places)	1.97
06250-SS	60	2 1/2	Stainless Steel	2.36	.138	.170 (4 Places)	1.97
80 mm - 3 1/8"							
06325-B	80	3 1/8	Anodized (Black)	3.30	.138	.170 (4 Places)	2.81
06325-M	80	3 1/8	Mill (No Finish)	3.30	.138	.170 (4 Places)	2.81
06325-SS	80	3 1/8	Stainless Steel	3.30	.138	.170 (4 Places)	2.81
92 mm - 3 5/8"							
06362-B	92	3 5/8	Anodized (Black)	3.62	.138	.170 (4 Places)	3.25
06362-M	92	3 5/8	Mill (No Finish)	3.62	.138	.170 (4 Places)	3.25
06362-SS	92	3 5/8	Stainless Steel	3.62	.138	.170 (4 Places)	3.25
120 mm - 4 1/2"							
06450-B	120	4 1/2	Anodized (Black)	4.67	.138	.170 (4 Places)	4.13
06450-M	120	4 1/2	Mill (No Finish)	4.67	.138	.170 (4 Places)	4.13
06450-SS	120	4 1/2	Stainless Steel	4.67	.138	.170 (4 Places)	4.13

FAN POWER CORDS - 07 SERIES

Fan-S offers four configurations of high quality fan power cords designed to be used with tubeaxial fans with a strain relief for added safety. UL and cUL rated 10 Amps/125 Volt with special configurations such as daisy chain, special length and color are available.



Part Number	Cord Length		Style	Figure	Cordage
	mm	in.			
07100-12	305	12	Straight	A	SPT-1(18/2)
07100-24	610	24	Straight	A	SPT-1(18/2)
07100-36	915	36	Straight	A	SPT-1(18/2)
07100-40	1016	40	Straight	A	SPT-1(18/2)
07100-50	1270	50	Straight	A	SPT-1(18/2)
07100-60	1524	60	Straight	A	SPT-1(18/2)
07100-80	2034	80	Straight	A	SPT-1(18/2)
07100-SP024	610	24	Straight	B	SPT-1(18/2)
07100-SP036	915	36	Straight	B	SPT-1(18/2)
07100-SP072	1829	72	Straight	B	SPT-1(18/2)
07145-12	305	12	45°	C	SPT-1(18/2)
07145-24	610	24	45°	C	SPT-1(18/2)
07145-36	915	36	45°	C	SPT-1(18/2)
07145-40	1016	40	45°	C	SPT-1(18/2)
07145-50	1270	50	45°	C	SPT-1(18/2)
07145-60	1524	60	45°	C	SPT-1(18/2)
07145-80	2034	80	45°	C	SPT-1(18/2)
07145-SP024	610	24	45°	D	SPT-1(18/2)
07145-SP036	915	36	45°	D	SPT-1(18/2)
07145-SP072	1829	72	45°	D	SPT-1(18/2)
07190-12	305	12	90°	E	SPT-1(18/2)
07190-24	610	24	90°	E	SPT-1(18/2)
07190-36	915	36	90°	E	SPT-1(18/2)
07190-40	1016	40	90°	E	SPT-1(18/2)
07190-50	1270	50	90°	E	SPT-1(18/2)
07190-60	1524	60	90°	E	SPT-1(18/2)
07190-80	2034	80	90°	E	SPT-1(18/2)
07190-SP024	610	24	90°	F	SPT-1(18/2)
07190-SP036	915	36	90°	F	SPT-1(18/2)
07190-SP072	1829	72	90°	F	SPT-1(18/2)
07199-12	305	12	T-Type	G	SPT-1(18/2)
07199-24	610	24	T-Type	G	SPT-1(18/2)
07199-36	915	36	T-Type	G	SPT-1(18/2)
07199-40	1016	40	T-Type	G	SPT-1(18/2)
07199-50	1270	50	T-Type	G	SPT-1(18/2)
07199-60	1524	60	T-Type	G	SPT-1(18/2)
07199-80	2034	80	T-Type	G	SPT-1(18/2)
07199-SP024	610	24	T-Type	H	SPT-1(18/2)
07199-SP036	915	36	T-Type	H	SPT-1(18/2)
07199-SP072	1829	72	T-Type	H	SPT-1(18/2)

WIRE FORM FAN GUARDS - 08 SERIES



All wire form fan guards are produced in our ISO 9001 certified facility to assure compliance to our rigid specifications. Available for fan sizes 25mm to 254mm with a high quality nickel chrome finish as our standard. Also available in black finish & stainless steel.

08245 (25mm)	08346 (30mm)	08149 (40mm)	08148 (50mm)	08147 (60mm)	08212 (60mm)	08138 (80mm)	08132 (80mm)
08156 (80mm)	08172 (80mm)	08133 (92mm)	08134 (92mm)	08174 (92mm)	08189 (92mm)	08128 (120mm)	08129 (120mm)
08130 (120mm)	08139 (120mm)	08141 (120mm)	08146 (120mm)	08170 (120mm)	08213 (120mm)	08150 (127mm)	08125 (150mm)
08126(150mm)	08152 (150mm)	08190 (176mm)	08717 (180mm)	08718 (225mm)	08127 (254mm)	08155 (254mm)	08719 (280mm)

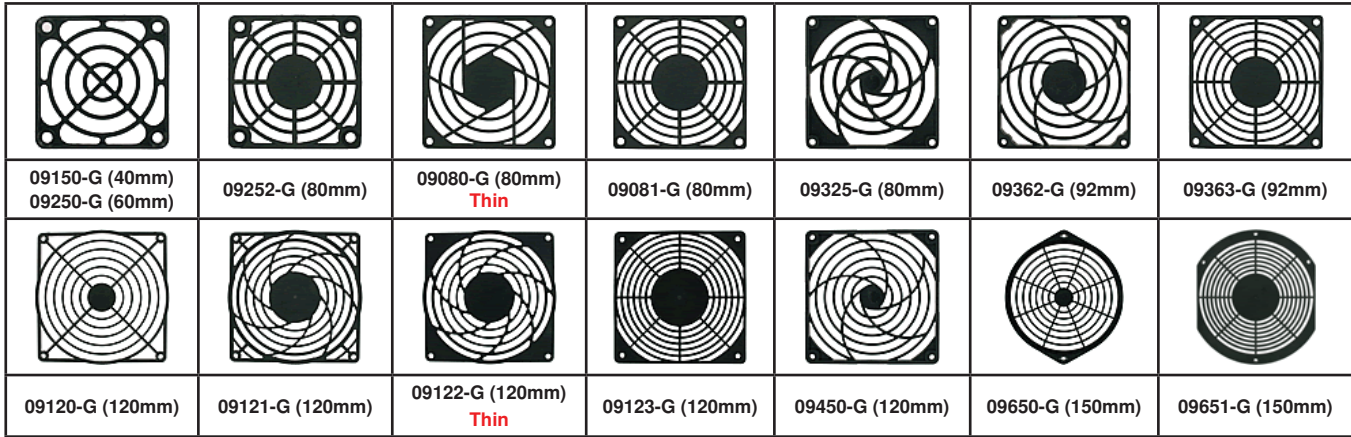
Part * Number	For Use With Fan Size		Rib Material Dia.		Ring Material Dia.		Mounting Hole Centers		Outside Ring Dia.		Thickness	
	mm	in.	mm	in.	mm	in.	mm	in.	mm	in.	mm	in.
08245	25	1	1.50	.059	1.50	.059	20.0	0.79	24.2	.953	3.00	.120
08346	30	1	1.60	.063	1.60	.063	24.0	0.94	21.8	.860	4.80	.189
08149	40	1 1/2	1.60	.063	1.60	.063	32.0	1.26	29.5	1.16	4.80	.189
08148	50	2	1.60	.063	1.60	.063	42.0	1.65	41.1	1.62	4.80	.189
08147	60	2 1/2	1.60	.063	1.60	.063	50.0	1.97	53.0	2.05	5.20	.205
08212	60	2 1/2	1.60	.063	1.60	.063	50.0	1.97	53.0	2.09	5.20	.205
08132	80	3 1/8	1.80	.071	1.60	.063	71.4	2.81	76.2	3.00	4.95	.195
08138	80	3 1/8	1.80	.071	1.60	.063	100.9	3.97	76.2	3.00	4.95	.195
08156	80	3 1/8	1.80	.071	1.80	.071	71.4	2.81	77.2	3.04	5.08	.200
08172	80	3 1/8	1.60	.063	1.60	.063	71.4	2.81	76.2	3.00	4.95	.195
08133	92	3 5/8	1.80	.071	1.60	.063	82.4	3.25	89.4	3.52	4.95	.197
08134	92	3 5/8	1.80	.071	1.60	.063	82.5	3.25	89.8	3.54	4.95	.195
08174	92	3 5/8	1.60	.063	1.60	.063	82.4	3.24	89.8	3.54	5.00	.195
08189	92	3 5/8	1.80	.071	1.60	.063	82.4	3.24	89.8	3.54	3.10	.122
08128	120	4 1/2	1.80/2.30	.071/.091	1.80	.071	104.8	4.13	115.6	4.55	5.90	.232
08129	120	4 1/2	2.30	.091	1.80	.071	104.8	4.13	115.6	4.55	3.75	.148
08130	120	4 1/2	2.30	.091	1.80	.071	104.8	4.13	115.6	4.55	5.66	.223
08139	120	4 1/2	2.30	.091	1.80	.071	104.8	4.13	115.6	4.55	5.66	.223
08141	120	4 1/2	2.00	.080	1.60	.063	104.8	4.13	117.3	4.62	5.20	.205
08146**	120	4 1/2	1.60	.063	1.60	.063	104.8	4.13	107.9	4.25	3.10	.122
08170	120	4 1/2	1.80	.071	1.80	.071	104.8	4.13	115.6	4.55	5.66	.223
08213	120	4 1/2	2.30	.091	1.80	.071	104.8	4.13	106.4	4.19	5.66	.223
08135	127	5	2.30	.091	1.80	.071	113.3	4.46	115.2	4.54	6.00	.236
08150	127	5	2.30	.091	1.80	.071	113.3	4.46	124.5	4.90	5.90	.232
08125	150	6	2.30	.091	1.80	.071	162.0	6.38	154.4	6.08	6.45	.254
08126	150	6	2.30	.091	1.80	.071	162.0	6.38	154.4	6.08	6.45	.254
08151	150	6	1.60	.063	1.60	.063	161.9	6.38	158.8	6.25	6.10	.240
08152	150	6	1.60	.063	1.60	.063	161.9	6.38	158.8	6.25	6.10	.240
08190**	176	7	2.00	.080	1.60	.063	152.6	6.00	160.9	6.33	16.31	.642
08717	180	7	2.30	.091	1.80	.071	152.2	5.99	169.6	6.68	5.50	.220
08718	225	8.9	2.30	.091	1.60/2.30	.063/.091	240.0	9.45	207.9	8.19	8.20	.320
08127	254	10	2.30	.091	2.30	.091	174.0	6.85	222.3	8.75	6.35	.250
08155	254	10	2.00	.080	2.00	.080	174.0	6.85	225.3	8.87	5.80	.228
08243-SS	254	10	1.60	.063	1.60	.063	208.0	8.19	180.8	7.12	4.00	.157
08719	280	11	2.40	.094	1.50/2.40	.059/.094	295.0	11.61	267.3	10.52	8.30	.330

* Note: Add to part number for: Black (-02), Stainless Steel (-SS) (example: 08149-02 Black 40mm Fan Guard.)

** Does not meet 1/4" max. ring spacing.

PLASTIC FAN GUARDS - 09 SERIES

The 09 Series low cost plastic fan guards produced with UL 94-V0 material are designed for tubeaxial fans with design considerations given to maximize airflow with reduced noise levels. Space saving models (**Thin**) designed for 80 & 120 mm.

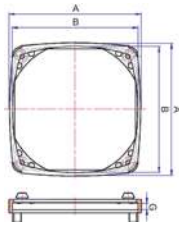


Part Number	For Use With Fan Size		Mounting Hole Centers		Mounting Hole Dia. 4 Places		Width		Thickness	
	mm	in.	mm	in.	mm	in.	mm	in.	mm	in.
09150-G	40	1 1/2	32.0	1.26	4.3	0.17	40	1.57	4.75	0.187
09250-G	60	2 1/2	50.0	1.97	4.6	0.18	60	2.36	6.30	0.250
09252-G	60	2 1/2	50.0	1.97	4.4	0.17	60	2.36	7.00	0.275
09080-G	80	3 1/8	71.4	2.81	4.1	0.16	80	3.15	3.00	0.118
09081-G	80	3 1/8	71.5	2.81	4.0	0.16	80	3.15	7.00	0.276
09325-G	80	3 1/8	71.4	2.81	3.8	0.15	80	3.15	6.60	0.260
09362-G	92	3 5/8	82.6	3.25	3.8	0.15	92	3.62	6.60	0.260
09363-G	92	3 5/8	82.5	3.25	4.4	0.17	92	3.62	7.00	0.276
09120-G	120	4 1/2	104.8	4.13	4.6	0.18	120	4.72	6.60	0.260
09121-G	120	4 1/2	104.8	4.13	4.6	0.18	120	4.72	6.60	0.260
09122-G	120	4 1/2	104.8	4.13	4.6	0.18	120	4.72	2.50	0.100
09123-G	120	4 1/2	105.0	4.13	4.4	0.17	120	4.72	7.00	0.276
09450-G	120	4 1/2	104.7	4.12	4.5	0.18	118	4.65	7.10	0.279
09650-G	150	6.00	162.0	6.38	5.0	0.20(2)	176	6.93	8.20	0.320
09651-G	150	6.00	162.0	6.38	5.0	0.20(2)	172	6.77	7.50	0.295

FAN SILENCER AND ACCESSORIES

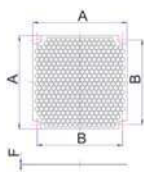
Noise is the number one problem for axial fans that are used for electronic cooling. It is generally caused by vibration between the housing and fan. To prevent this problem, we have developed a method that eliminates noise and makes mounting effortless. With the patented rubber elastic sleeves, you can fasten axial fans without screws quickly and safely with four mushroom formed pegs on a mounting plate or housing wall.

QLM FAN VIBRATION SLEEVE



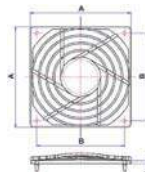
Part Number	A		B		G		Panel Thickness	
	Inch	mm	Inch	mm	Inch	mm	Inch	mm
QLM-40-20-10	1.693	43	1.574	40	.080	2.0	.030-.049	.75-1.25
QLM-60-30-10	2.520	64	2.362	60	.080	2.0	.030-.049	.75-1.25
QLM-80-40-10	3.307	84	3.150	80	.157	4.0	.030-.049	.75-1.25
QLM-92-40-10	3.819	97	3.622	92	.157	4.0	.030-.049	.75-1.25
QLM-119-40-10	4.921	125	4.685	119	.157	4.0	.030-.049	.75-1.25

EMI FILTER SHIELD FOR QLM SLEEVES



Part Number	A		B		F	
	Inch	mm	Inch	mm	Inch	mm
QSB-40-01	1.654	42	1.260	32.0	.008	0.2
QSB-60-01	2.441	62	1.969	50.0	.008	0.2
QSB-80-01	3.228	82	2.815	71.5	.008	0.2
QSB-92-01	3.700	94	3.248	82.5	.008	0.2
QSB-119-01	4.764	121	4.133	105.0	.012	0.3

PLASTIC FAN GUARDS FOR QLM SLEEVES



Part Number	A		B		G	
	Inch	mm	Inch	mm	Inch	mm
QSG-40-02	1.811	46.0	1.279	32.5	.098	2.5
QSG-60-02	2.598	66.0	1.969	50.0	.098	2.5
QSG-80-02	3.503	89.0	2.815	71.5	.098	2.5
QSG-92-02	3.976	101.0	3.248	82.5	.098	2.5
QSG-119-02	5.039	128.0	4.133	105.0	.118	3.0

FILTER MEDIA FOR QLM SLEEVES



Part Number	A		B		D	
	Inch	mm	Inch	mm	Inch	mm
QF-40-01	1.575	40.0	1.26	32.0	.197	5.0
QF-60-01	2.362	60.0	1.969	50.0	.197	5.0
QF-80-01	3.150	80.0	2.815	71.5	.197	5.0
QF-92-01	3.622	92.0	3.248	82.5	.197	5.0
QF-119-01	4.685	119.0	4.133	105.0	.197	5.0

RIVETS



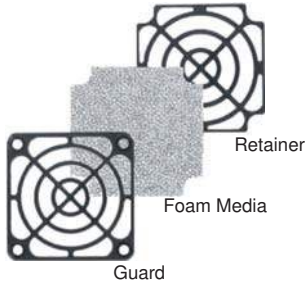
Part Number	Description
QLN-36-01-100	With the specially designed rivets, metal fan guard grills can be attached into the holes of the mushroom formed pegs from the fan sleeves.

PLASTIC FAN FILTER ASSEMBLIES - 09 SERIES



Fan-S offers a unique fan filter package consisting of a guard, foam filter media and media retainer for the removal of dust and contaminating particles with quick and simple installation.

Fig. A



Part Number	Description	Mounting Hole Centers		Mounting Hole Diameter 4 Places		Width 4 Places		Thickness		
		mm	in.	mm	in.	mm	in.	mm	in.	
40 mm - 1.50" Fig. A										
09150-F/30	Guard, Retainer, Media (30 PPI)**	32.00	1.26	4.30	.17	40.0	1.57	4.75	.187	
09150-F/45	Guard, Retainer, Media (45 PPI)**	32.00	1.26	4.30	.17	40.0	1.57	4.75	.187	
09150-F/60	Guard, Retainer, Media (60 PPI)**	32.00	1.26	4.30	.17	40.0	1.57	4.75	.187	
09150-F/100	Guard, Retainer, Media (100 PPI)**	32.00	1.26	4.30	.17	40.0	1.57	4.75	.187	
09150-M/30*	Foam Media (30 PPI)**	-	-	-	-	36.4	1.43	2.29	.090	
09150-M/45*	Foam Media (45 PPI)**	-	-	-	-	36.4	1.43	2.29	.090	
09150-M/60*	Foam Media (60 PPI)**	-	-	-	-	36.4	1.43	2.29	.090	
09150-M/100*	Foam Media (100 PPI)**	-	-	-	-	36.4	1.43	2.29	.090	
09150-G	Guard Only	32.00	1.26	4.30	.17	40.0	1.57	4.75	.180	
09150-R	Retainer Only	-	-	-	-	36.4	1.43	0.90	.035	
60 mm - 2.50" Fig. A										
09250-F/30	Guard, Retainer, Media (30 PPI)**	50.00	1.97	4.60	.18	60.0	2.36	6.30	.250	
09250-F/45	Guard, Retainer, Media (45 PPI)**	50.00	1.97	4.60	.18	60.0	2.36	6.30	.250	
09250-F/60	Guard, Retainer, Media (60 PPI)**	50.00	1.97	4.60	.18	60.0	2.36	6.30	.250	
09250-F/100	Guard, Retainer, Media (100 PPI)**	50.00	1.97	4.60	.18	60.0	2.36	6.30	.250	
09250-M/30*	Foam Media (30 PPI)**	-	-	-	-	56.6	2.23	2.77	.109	
09250-M/45*	Foam Media (45 PPI)**	-	-	-	-	56.6	2.23	2.77	.109	
09250-M/60*	Foam Media (60 PPI)**	-	-	-	-	56.6	2.23	2.77	.109	
09250-M/100*	Foam Media (100 PPI)**	-	-	-	-	56.6	2.23	2.77	.109	
09250-G	Guard Only	50.00	1.97	4.60	.18	60.0	2.36	6.35	.250	
09250-R	Retainer Only	-	-	-	-	56.4	2.22	3.00	.118	
80 mm - 3.13" Fig. B										
09325-F/30	Guard, Retainer, Media (30 PPI)**	71.37	2.81	3.81	.15	83.3	3.28	9.90	.390	
09325-F/45	Guard, Retainer, Media (45 PPI)**	71.37	2.81	3.81	.15	83.3	3.28	9.90	.390	
09325-F/60	Guard, Retainer, Media (60 PPI)**	71.37	2.81	3.81	.15	83.3	3.28	9.90	.390	
09325-F/100	Guard, Retainer, Media (100 PPI)**	71.37	2.81	3.81	.15	83.3	3.28	9.90	.390	
09325-M/30*	Foam Media (30 PPI)**	-	-	-	-	77.7	3.06	3.30	.130	
09325-M/45*	Foam Media (45 PPI)**	-	-	-	-	77.7	3.06	3.30	.130	
09325-M/60*	Foam Media (60 PPI)**	-	-	-	-	77.7	3.06	3.30	.130	
09325-M/100*	Foam Media (100 PPI)**	-	-	-	-	77.7	3.06	3.30	.130	
09325-G	Guard Only	71.37	2.81	3.81	.15	80.0	3.15	6.60	.260	
09325-R	Retainer Only	-	-	-	-	83.6	3.29	9.90	.390	
92 mm - 3.62" Fig. B										
09362-F/30	Guard, Retainer, Media (30 PPI)**	82.60	3.25	3.80	.15	96.3	3.79	10.10	.390	
09362-F/45	Guard, Retainer, Media (45 PPI)**	82.60	3.25	3.80	.15	96.3	3.79	10.10	.390	
09362-F/60	Guard, Retainer, Media (60 PPI)**	82.60	3.25	3.80	.15	96.3	3.79	10.10	.390	
09362-F/100	Guard, Retainer, Media (100 PPI)**	82.60	3.25	3.80	.15	96.3	3.79	10.10	.390	
09362-M/30*	Foam Media (30 PPI)**	-	-	-	-	89.8	3.54	3.30	.130	
09362-M/45*	Foam Media (45 PPI)**	-	-	-	-	89.8	3.54	3.30	.130	
09362-M/60*	Foam Media (60 PPI)**	-	-	-	-	89.8	3.54	3.30	.130	
09362-M/100*	Foam Media (100 PPI)**	-	-	-	-	89.8	3.54	3.30	.130	
09362-G	Guard Only	82.60	3.25	3.80	.15	92.2	3.63	6.60	.260	
09362-R	Retainer Only	-	-	-	-	96.5	3.80	10.10	.398	
120 mm - 4.50" Fig. B										
09450-F/30	Guard, Retainer, Media (30 PPI)**	104.70	4.12	4.45	.18	125.2	4.92	10.60	.420	
09450-F/45	Guard, Retainer, Media (45 PPI)**	104.70	4.12	4.45	.18	125.2	4.92	10.60	.420	
09450-F/60	Guard, Retainer, Media (60 PPI)**	104.70	4.12	4.45	.18	125.2	4.92	10.60	.420	
09450-F/100	Guard, Retainer, Media (100 PPI)**	104.70	4.12	4.45	.18	125.2	4.92	10.60	.420	
09450-M/30*	Foam Media (30 PPI)**	-	-	-	-	115.6	4.55	3.30	.130	
09450-M/45*	Foam Media (45 PPI)**	-	-	-	-	115.6	4.55	3.30	.130	
09450-M/60*	Foam Media (60 PPI)**	-	-	-	-	115.6	4.55	3.30	.130	
09450-M/100*	Foam Media (100 PPI)**	-	-	-	-	115.6	4.55	3.30	.130	
09450-G	Guard Only	104.70	4.12	4.45	.18	118.3	4.66	7.10	.280	
09450-R	Retainer Only	-	-	-	-	125.2	4.93	10.60	.420	
150 mm - 6.00" Fig. C										
09650-F/30	Guard, Retainer, Media (30 PPI)**	161.50	6.36	5.00(2)	.20(2)	176.00	6.93	8.20	.323	
09650-F/45	Guard, Retainer, Media (45 PPI)**	161.50	6.36	5.00(2)	.20(2)	176.00	6.93	8.20	.323	
09650-F/60	Guard, Retainer, Media (60 PPI)**	161.50	6.36	5.00(2)	.20(2)	176.00	6.93	8.20	.323	
09650-F/100	Guard, Retainer, Media (100 PPI)**	161.50	6.36	5.00(2)	.20(2)	176.00	6.93	8.20	.323	
09650-M/30*	Foam Media (30 PPI)**	-	-	-	-	149.86	5.90	3.30	.130	
09650-M/45*	Foam Media (45 PPI)**	-	-	-	-	149.86	5.90	3.30	.130	
09650-M/60*	Foam Media (60 PPI)**	-	-	-	-	149.86	5.90	3.30	.130	
09650-M/100*	Foam Media (100 PPI)**	-	-	-	-	149.86	5.90	3.30	.130	
09650-G	Guard Only	161.50	6.36	5.00(2)	.20(2)	176.00	6.93	8.20	.323	
09650-R	Retainer Only	-	-	-	-	150.00	5.91	4.50	.180	

* Each package contains 5 pieces

** Pores per Inch (PPI)

FAN ACCESSORIES GUIDE – AC FANS

Fan Series	Wire Form Fan Guard	Aluminum Fan Filters	Plastic Fan Guards	Plastic Fan Filter Assemblies	QLM Vibration Sleeve	Fan Cords
FAA1-08025	08132, 08172	06325-B, 06325-M, 06325-SS	09252-G, 09080-G, 09081-G, 09325-G	09325-F/**		07100, 07145, 07190, 07199
FAA1-08038	08132, 08172	06325-B, 06325-M, 06325-SS	09252-G, 09080-G, 09081-G, 09325-G	09325-F/**		07100, 07145, 07190, 07199
FAA1-09225	08134, 08174, 08189	06362-B, 06362-M, 06362-SS	09362-G, 09363-G	09362-F/**		07100, 07145, 07190, 07199
FAA1-12025	08129, 08130, 08141, 08170, 08213	06450-B, 06450-M, 06450-SS	09120-G, 09121-G, 09122-G, 09123-G, 09450-G	09450-F/**		07100, 07145, 07190, 07199
FAA1-12038-A	08129, 08130, 08141, 08170, 08213	06450-B, 06450-M, 06450-SS	09120-G, 09121-G, 09122-G, 09123-G, 09450-G	09450-F/**	QLM-119-40-10, QLM-119-40-20	07100, 07145, 07190, 07199
FKA1-17251	08125		09651-G			07100, 07145, 07190, 07199
FKA2-17251	08125		09651-G			07100, 07145, 07190, 07199
FKA2-17689	08190					07100, 07145, 07190, 07199
FKA2-18065	08717					07100, 07145, 07190, 07199
FKA2-20572						07100, 07145, 07190, 07199
FKA2-25489	08127, 08155, 08243-SS					07100, 07145, 07190, 07199
FKA2-28089	08719					07100, 07145, 07190, 07199
FKA2-28089-A	08719					07100, 07145, 07190, 07199
FDA2-17238	08125		09651-G			07100, 07145, 07190, 07199
FDA2-17238 IP56M, SF	08125		09651-G			07100, 07145, 07190, 07199
FDA2-17251	08125		09651-G			07100, 07145, 07190, 07199
FDA2-17251 IP56M, SF	08125		09651-G			07100, 07145, 07190, 07199
FDA2-R17251	08126		09650-G	09650-F/**		07100, 07145, 07190, 07199
FDA2-R17251 IP56M, SF	08126		09650-G	09650-F/**		07100, 07145, 07190, 07199
FDA2-17255	08126		09650-G	09650-F/**		07100, 07145, 07190, 07199
FDA2-17255 IP56M, SF	08126		09650-G	09650-F/**		07100, 07145, 07190, 07199
FDA2-22580	08718					
FDA2-22580 IP56M, SF	08718					
FDA2-25489	08127, 08155, 08243-SS					07100, 07145, 07190, 07199
FDA2-25489 IP56M, SF	08127, 08155, 08243-SS					07100, 07145, 07190, 07199
FDA2-28080	08719					
FDA2-28080 IP56M, SF	08719					

FAN ACCESSORIES GUIDE - DC FANS

Fan Series	Wire Form Fan Guard	Aluminum Fan Filters	Plastic Fan Guards	Plastic Fan Filter Assemblies	QLM Vibration Sleeve
FAD1-02510	08245				
FAD1-03010	08346				
FAD1-04010	08149		09150-G	09150-F/**	
FAD1-04020	08149		09150-G	09150-F/**	
FAD1-05010	08148				
FAD1-06020	08147	06250-B, 06250-M, 06250-SS	09250-G	09250-F/**	
FAD1-06025-A	08147	06250-B, 06250-M, 06250-SS	09250-G	09250-F/**	
FAD1-08015	08132, 08172	06325-B, 06325-M, 06325-SS	09252-G, 09080-G, 09081-G, 09325-G	09325-F/**	
FAD1-08015 IC	08132, 08172	06325-B, 06325-M, 06325-SS	09252-G, 09080-G, 09081-G, 09325-G	09325-F/**	
FAD1-08025-A	08132, 08172	06325-B, 06325-M, 06325-SS	09252-G, 09080-G, 09081-G, 09325-G	09325-F/**	QLM-80-40-10, QLM-80-40-20
FAD1-08025-A IC	08132, 08172	06325-B, 06325-M, 06325-SS	09252-G, 09080-G, 09081-G, 09325-G	09325-F/**	QLM-80-40-10, QLM-80-40-20
FAD1-08032	08132, 08172	06325-B, 06325-M, 06325-SS	09252-G, 09080-G, 09081-G, 09325-G	09325-F/**	QLM-80-40-10, QLM-80-40-20
FAD1-08038	08132, 08172	06325-B, 06325-M, 06325-SS	09252-G, 09080-G, 09081-G, 09325-G	09325-F/**	QLM-80-40-10, QLM-80-40-20
FAD1-09225	08134, 08174, 08189	06362-B, 06362-M, 06362-SS	09362-G, 09363-G	09362-F/**	QLM-92-40-10, QLM-92-40-20
FAD1-09225 IC	08134, 08174, 08189	06362-B, 06362-M, 06362-SS	09362-G, 09363-G	09362-F/**	QLM-92-40-10, QLM-92-40-20
FAD1-12025	08129, 08130, 08141, 08170, 08213	06450-B, 06450-M, 06450-SS	09120-G, 09121-G, 09122-G, 09123-G, 09450-G	09450-F/**	QLM-119-50-10, QLM-119-50-20
FAD1-12032	08129, 08130, 08141, 08170, 08213	06450-B, 06450-M, 06450-SS	09120-G, 09121-G, 09122-G, 09123-G, 09450-G	09450-F/**	QLM-119-50-10, QLM-119-50-20
FAD1-12038	08129, 08130, 08141, 08170, 08213	06450-B, 06450-M, 06450-SS	09120-G, 09121-G, 09122-G, 09123-G, 09450-G	09450-F/**	QLM-119-40-10, QLM-119-40-20
FAD1-12738	08135				
FDD1-17238	08125		09651-G		
FDD1-17251	08125		09651-G		
FDD1-17251 IP56M	08125		09651-G		

PRODUCT PROFILE

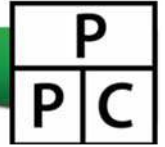


FAN-S DIVISION

AC & DC Fans and Accessories

We offer low cost, high tech AC & DC axial fans with sizes ranging from 25mm - 280 mm, DC voltages from 3.3VDC - 60VDC, and AC voltages from 115VAC - 230VAC. Our fans include many special features such as: IP55, IP56M, and IP67 rated, GR487 salt fog rated, speed sensors, alarm functions, and much more upon request. Each fan is offered with a variety of bearing types: 2-ball, 1-ball 1-sleeve, sleeve only, and our newly developed hydro dynamic bearing with better performance than sleeve and lower cost than 2-ball bearings. Every fan is available with a wide range of speeds from ultra low to super high.

Our fan accessories are famous worldwide. These consist of wire form and plastic guards, plastic air filters, aluminum and stainless steel air filters, fan cords, and our patented noise reduction vibration sleeves.



PRIMARY POWER COMPONENTS DIVISION

AC Receptacles

We offer a complete line of inlets, outlets, and multifunction modules with major international approval marks. This assures high safety standards and helps customers comply with international regulations. Modern production methods enable us to manufacture cost-effective and reliable components. A full range of products are maintained in stock for quick, on-time deliveries. Custom designs are available upon request. Circuit Breakers QLB and QMB series are compact and cost effective thermal circuit breakers. Our circuit breakers have a wide range of amp ratings from 3A - 40A, and these are offered in single pole and push-to-reset with safety agency certifications. A large variety of bushing types, terminals, name plates, button colors and printing with custom configurations are available.

Circuit Breakers

QLB and QMB series are compact and cost effective thermal circuit breakers. Our circuit breakers have a wide range of amp ratings from 3A - 40A, and these are offered in single pole and push-to-reset with safety agency certifications. A large variety of bushing types, terminals, name plates, button colors and printing with custom configurations are available.

EMI Filters

Our EMI/RFI power line filters are designed to meet most international safety agency requirements. These filters help customers meet FCC and VDE emission standards. Our line consists of many standard configurations such as block type, filter with power line connector, and various filters with multifunctional modules. Custom designs are available upon request.

Power Cords

A large selection of our North American and International Power Cords have been designed to comply with North American and international safety agency regulations to insure safe and reliable products. Our power cords come in a wide selection of plugs and connectors with various cable insulations, voltage ratings, colors, lengths, and shielding. We have a full range of hospital grade certified power cords. Custom configurations and strain reliefs are available upon request.

Power Supplies

We supply a full range of low cost, high reliability and energy-saving switch mode AC/DC power supplies. Our power supplies consist of enclosed, open frame, din rail, wall mount, desktop, and medical approved grade. Our enclosed versions of power supplies are rated from 15W - 800W; open frame from 20W - 200W; desktop and wall mount from 5W - 200W. All models have universal voltage input and a variety of output voltages ranging from 3.3V - 48V. Some models include power factor correction to increase efficiency and reduce power losses. All of our power supplies meet or exceed the RoHS EU and the Chinese directives and are certified with worldwide safety agencies to ensure a safe and reliable product.



WIRE MANAGEMENT, CABLE ASSEMBLIES & INTERCONNECT DIVISION

Cable Assemblies

We offer a wide selection of standard and custom cable assemblies, specializing in DVI, HDMI, and USB. We also produce flat ribbon cables, monitor cables, networking cables and an extensive offering of custom cable assemblies and wire harnesses.

Cable Ties & Accessories

Our low cost, high reliability cable nylon ties are available in a variety of styles including miniature, intermediate, standard and heavy duty. Specialty cable ties include releasable pawl type, stainless steel ball lock, head mount, push mount, marker ties, double loop, beaded and 4-way cable tie mounts. Cable ties are available in various material types including ultraviolet, heat stabilized, fire retardant and also are available in a range of colors. Custom designs and colors available upon request.

Heat Shrink Products

Heat shrinkable products include thin wall, medium and heavy wall, adhesive lined, medium and high voltage insulation, molded parts and end caps, and a wide range of shrink tubing kits and heat shrinkable cable and wire identification tubing.

Sleeving Products

We offer a full-line of sleeveings used in various electrical equipment applications such as motors, generators, transformers, stators, actuators, etc. Our sleeveings are also found in military, medical, food processing and many other applications. We have coated sleeveings, uncoated sleeveings, and we also offer expandable sleeveings. All are available with customer product capabilities upon request.



INTERNATIONAL PROCUREMENT SERVICES DIVISION

Procurement Services

With over 30 years of global business experience, Qualtek's IPS division provides a complete range of services from component sourcing to complete turnkey projects. With our extensive knowledge of the major global manufacturing regions, this enables us to have access to the newest technology, highest quality, and the most cost effective production methods.

Qualtek Electronics Corporation

7610 Jenther Dr. * Mentor, Ohio 44060 * USA
Telephone: 1.440.951.3300 * Fax: 1.440.951.7252
E-mail: mailbox@qualtekusa.com
Web: www.Qualtekusa.com

