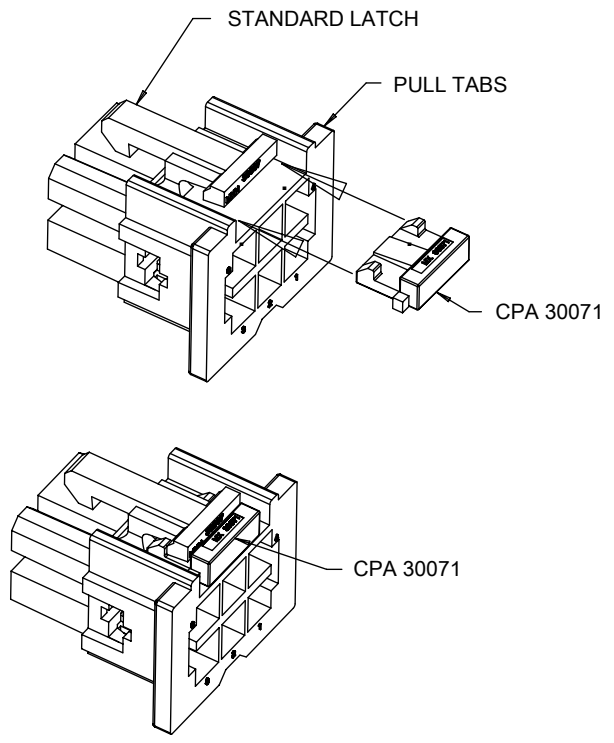


- NOTES:
1. MATERIAL: NYLON 6/6, 94V-2, COLOR: SEE CHART
  2. FINISH: NOT APPLICABLE
  3. PRODUCT SPEC: PS-5556-003
  4. PACKAGING SPECIFICATION: PK-30071-0000
  5. CPA FOR USE WITH ALL 30067 RECPT HOUSINGS AND SELECT 5557 RECPT HOUSINGS (5557 HSG MUST HAVE STANDARD LATCH AND PULL TABS AS SHOWN). WILL NOT WORK WITH 2 AND 4 CKT DUAL ROW OR 2 CKT SINGLE ROW 5557.
  6. TEXT ON PART IS FOR REFERENCE ONLY. TEXT AND TEXT LOCATION MAY VARY DEPENDING ON PART NUMBER AND/OR TOOL.



PART NO	ENG NO	COLOR:
15-97-0071	30071-0001	NATURAL

THIS DRAWING CONTAINS INFORMATION THAT IS PROPRIETARY TO MOLEX ELECTRONIC TECHNOLOGIES, LLC AND SHOULD NOT BE USED WITHOUT WRITTEN PERMISSION																	
QUALITY SYMBOLS ▽ = 0 ▽ = 0 ▽ = 0 ▽ = 0 ▽ = 0 ▽ = 0 ▽ = 0 ▽ = 0 ▽ = 0	REV DIM. NOTES 5 & 6 2017/06/29 2017/07/13 2017/07/18 EC NO: 118445 DRWN: JOUILLES CHK'D: JBELL REV APPR: FSMITH	GENERAL TOLERANCES (UNLESS SPECIFIED)		DIMENSION UNITS IN/MM		SCALE 4:1											
						DRWN BY KSAMIEC		DATE 2010/11/15		CONNECTOR POSITION ASSURANCE (CPA) FOR MINI-FIT T.P.A.							
						CHK'D BY		DATE									
						APPR BY JCOMERC		DATE 2010/11/19						PRODUCT CUSTOMER DRAWING			
						DRAWING SIZE A		THIRD ANGLE PROJECTION		SERIES 30071		MATERIAL NUMBER SEE CHART		CUSTOMER GENERAL MARKET			
						ANGULAR TOL ± 0.5				DOCUMENT NUMBER SD-30071-0000		DOC TYPE PSD		DOC PART 001		SHEET NUMBER 1 OF 1	
						DRAFT WHERE APPLICABLE MUST REMAIN WITHIN DIMENSIONS											

SD\_MODEL: TM-30071-0000

RELEASE STATUS	P1	RELEASE DATE	18.07.2017 20:07:37
----------------	----	--------------	---------------------