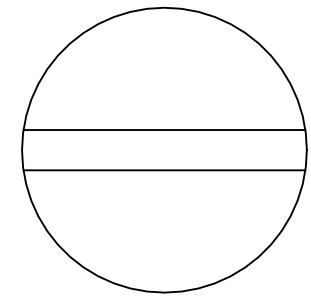
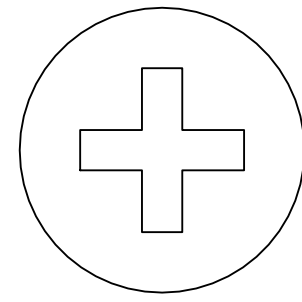


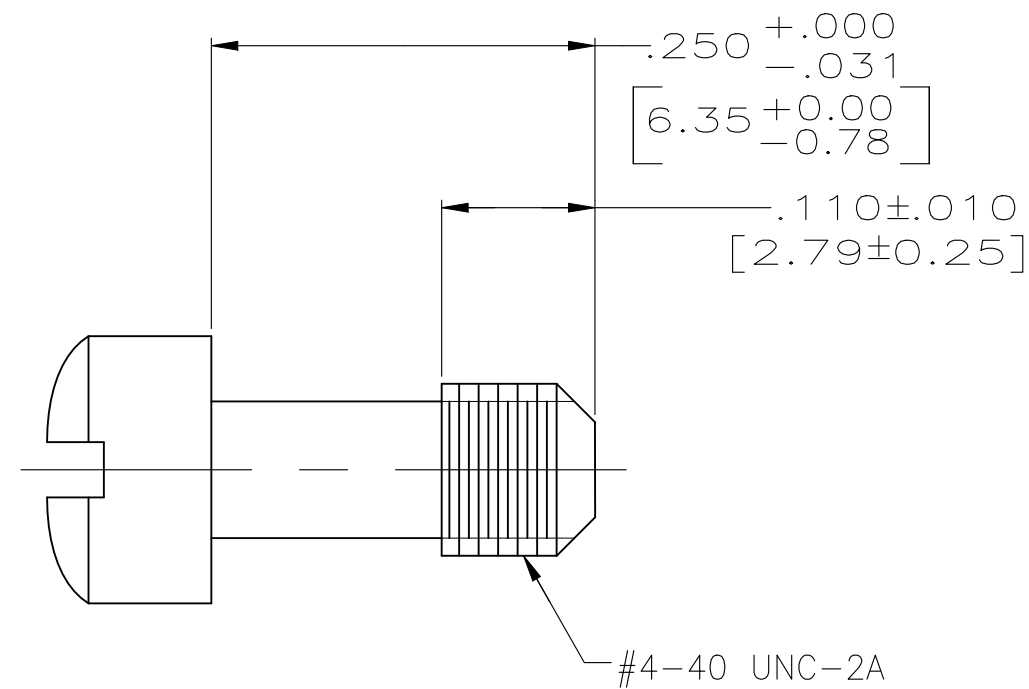
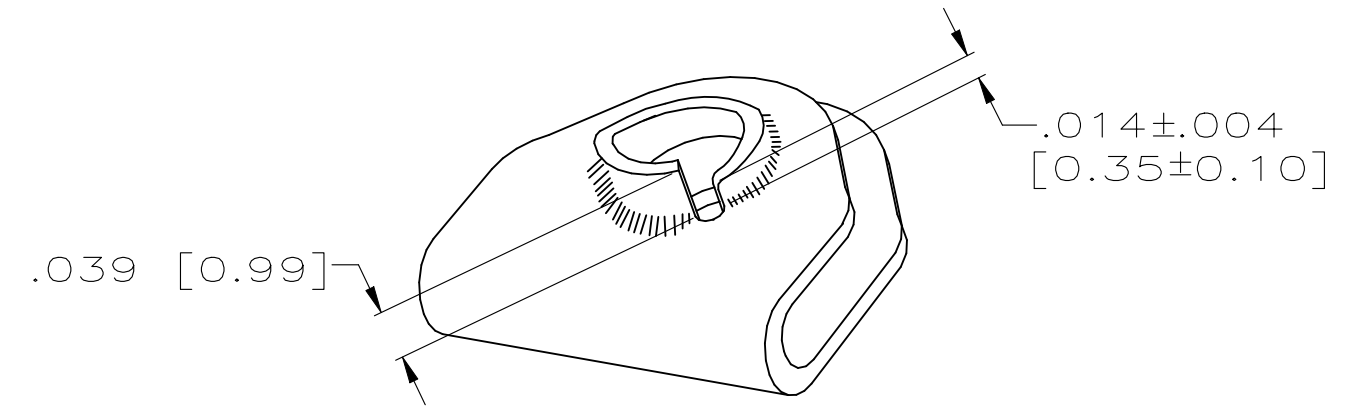
REVISIONS				
P	LTR	DESCRIPTION	DATE	APVD
J		REVISED PER ECO-21-004775	27AUG2021	LN DM



FILLISTER HEAD REF

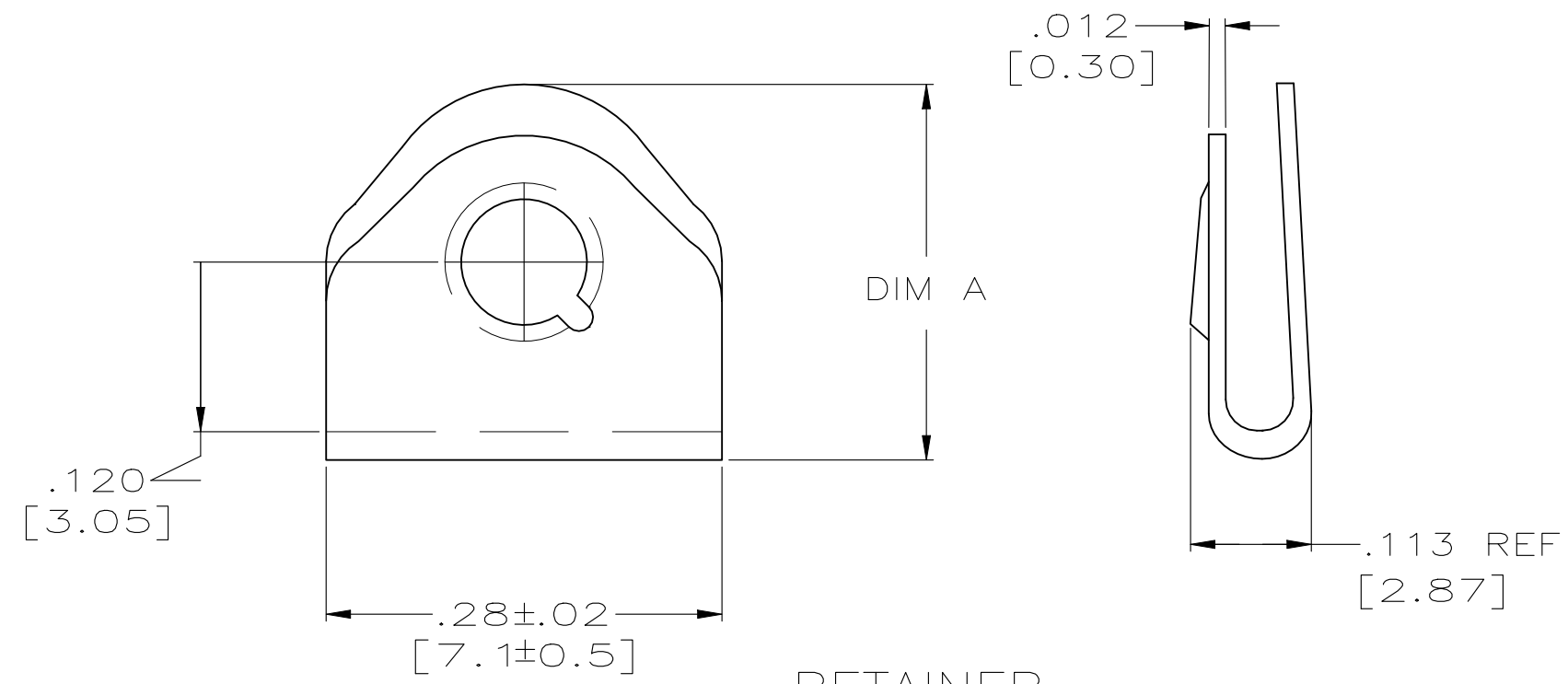


PHILLIPS HEAD REF



SCREW, (TYPE; SEE TABLE)  
① OR ③

QTY=2



RETAINER

QTY=2

② OR ④

- ① MAT'L: STAINLESS STEEL PER ASTM-A-582 OR ASTM-A-493  
FINISH: PASSIVATED PER SAE-AMS-2700
  - ② MAT'L: STAINLESS STEEL PER QQ-S-766  
FINISH: PASSIVATED PER SAE-AMS-2700
  - ③ MAT'L: BRASS PER ASTM-B-16  
FINISH: GOLD PLATE PER ASTM-B-488  
OVER COPPER PER MIL-C-14550
  - ④ MAT'L: BeCu PER QQ-C-530  
FINISH: GOLD PLATE PER ASTM-B-488  
OVER COPPER PER MIL-C-14550
5. PARTS ARE PACKAGED UNASSEMBLED.

PHILLIPS HEAD	.240±.010 [6.10±0.25]	-	AS SHOWN ① ②	211883-7
FILLISTER HEAD	.240±.010 [6.10±0.25]	-	AS SHOWN ① ②	211883-6
FILLISTER HEAD	.265±.015 [6.73±0.38]	M24308/25-6P	AS SHOWN ① ②	211883-5
FILLISTER HEAD	.265±.015 [6.73±0.38]	-	AS SHOWN ③ ④	211883-1
SCREW HEAD TYPE	DIM A	MILITARY PART NO	DESCRIPTION	PART NO.

THIS DRAWING IS A CONTROLLED DOCUMENT.		DWN	C.C.THOMAS	2-11-03
		CHK	D.MILLER	2-11-03
		APVD	D.MILLER	2-11-03
		PRODUCT SPEC		
		APPLICATION SPEC		
		WEIGHT	0.000000	
		CUSTOMER DRAWING		
DIMENSIONS: INCHES		TOLERANCES UNLESS OTHERWISE SPECIFIED:		
		0 PLC	± -	
		1 PLC	± -	
		2 PLC	± -	
		3 PLC	± .005 [0.13]	
		4 PLC	± -	
		ANGLES	± -	
MATERIAL SEE CALLOUTS		FINISH SEE CALLOUTS		
		SCALE	8:1	
		SHEET	1 of 1	
		REV	J	

**TE** TE Connectivity

NAME: SCREW-LOCK ASSEMBLY, MALE, AMPLIMITE, KIT

SIZE: A2 CAGE CODE: 00779 DRAWING NO: C=211883 RESTRICTED TO: -