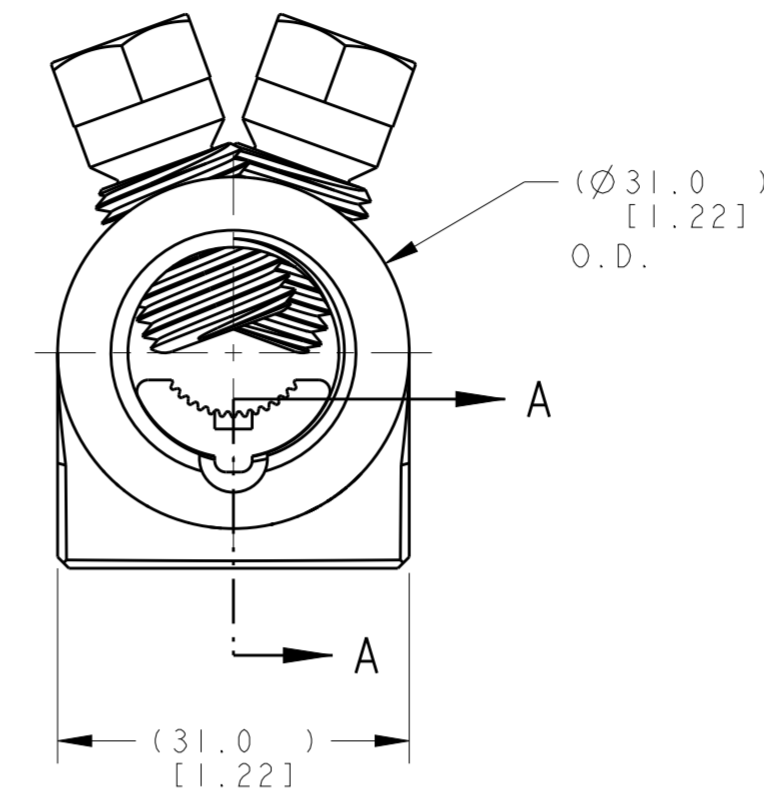
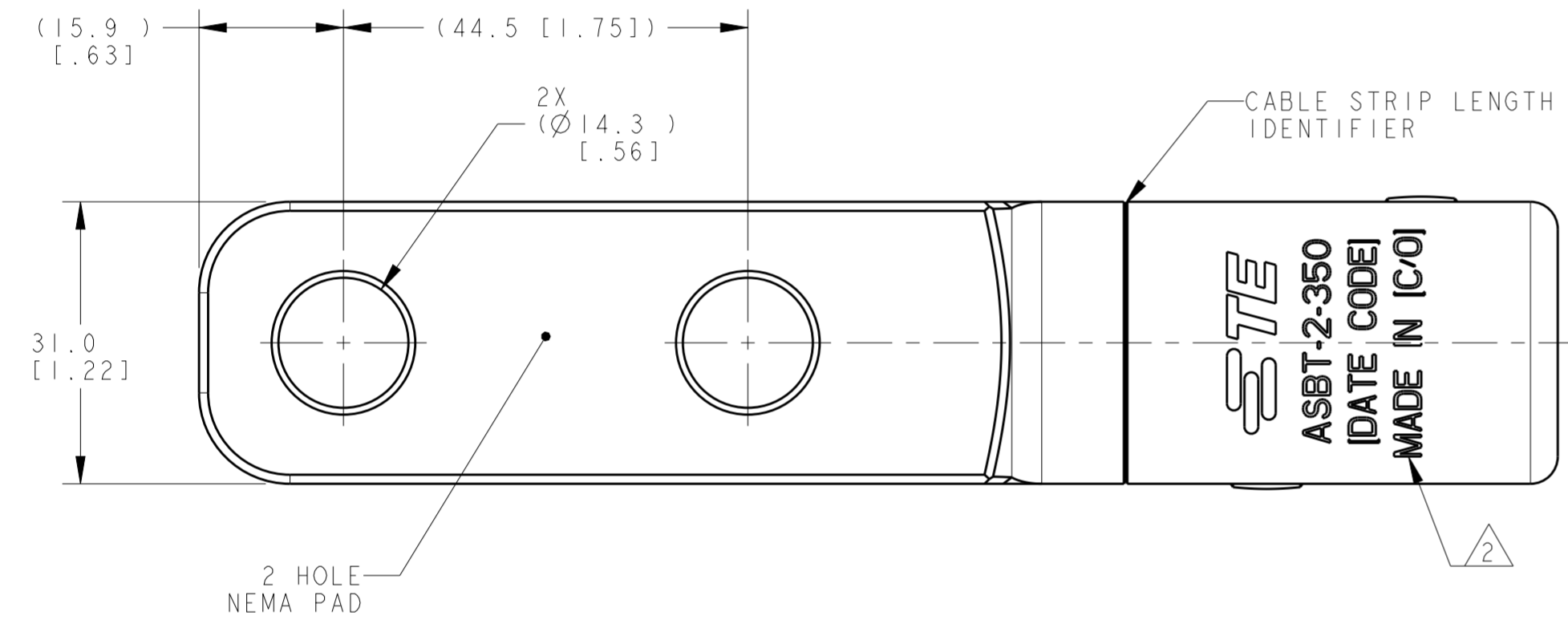
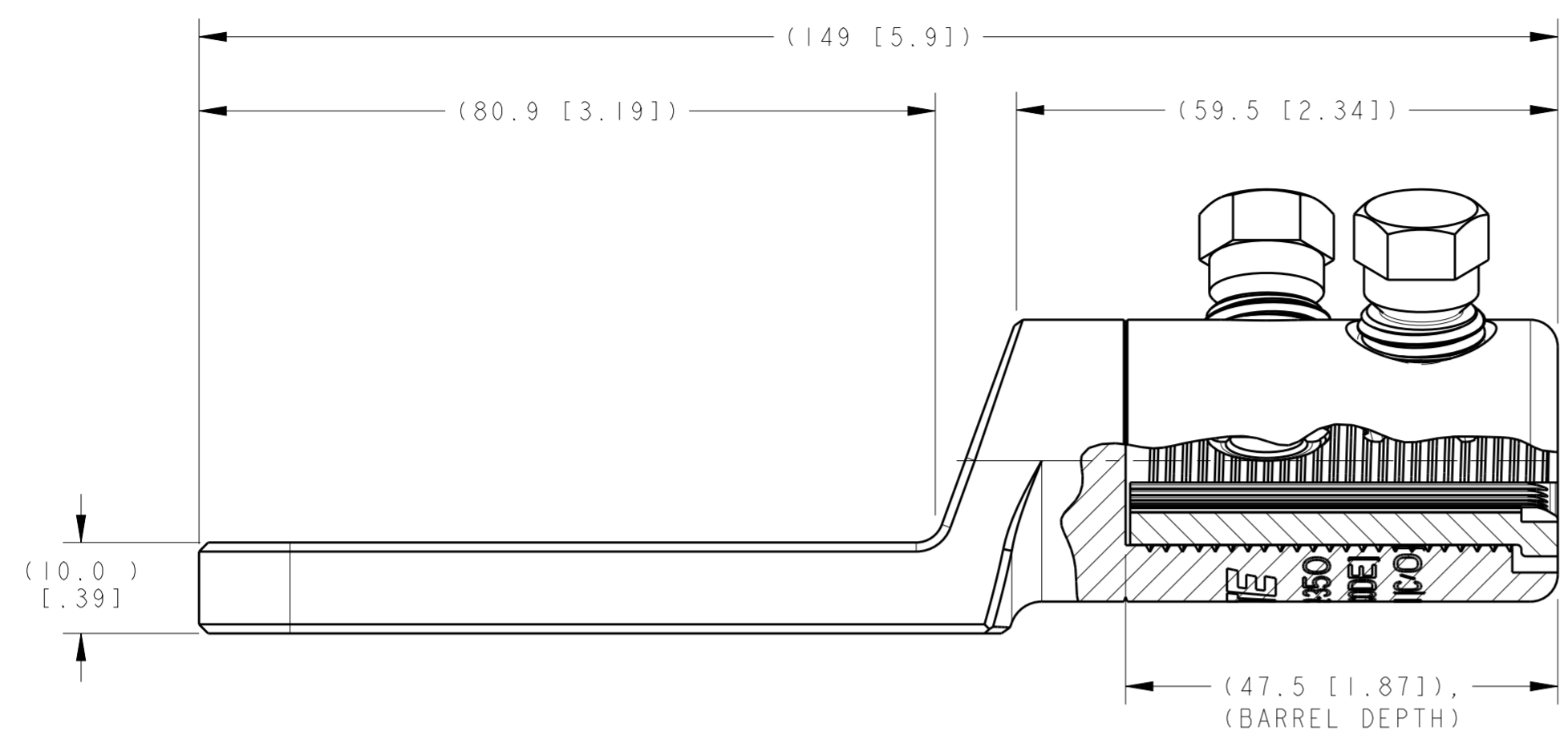


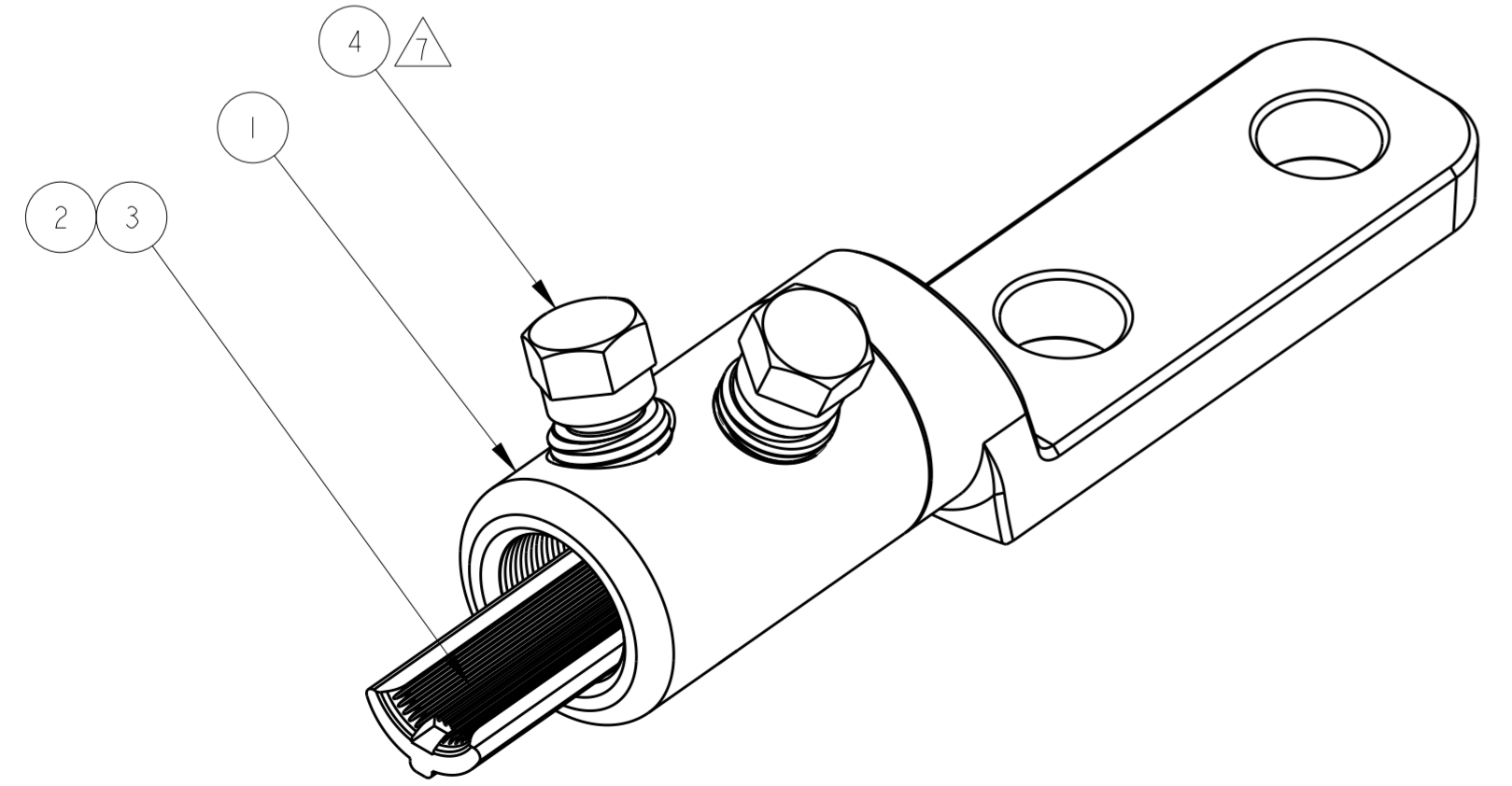
THIS DRAWING IS UNPUBLISHED. RELEASED FOR PUBLICATION 20
 © COPYRIGHT 20 BY - ALL RIGHTS RESERVED.

REVISIONS					
P	LTR	DESCRIPTION	DATE	DWN	APVD
C		LC20-0094-09 / ECO-09-018257	04AUG2009	DM	BJ
D		LC20-0134-15 / ECO-15-016745	12NOV2015	DM	BJ
E		LC20-0095-16 / ECO-16-011928	18AUG2016	JG	BJ
F		LC20-0086-20 / ECO-20-	14AUG2020	DM	BJ



- ACCOMMODATES:
#2 AWG COMPACT (Ø6.81 [.268])
TO 350 KCMIL STD STR (Ø17.30 [.681])
ALUMINUM OR COPPER CONDUCTORS.
- MARKING:
STE
ASBT-2-350
[DATE CODE]
MADE IN [COUNTRY OF ORIGIN]
- INSERT SHALL BE REMOVED FOR CONDUCTOR SIZES GREATER THAN 4/0 AWG STD STR (Ø13.4 [.528 DIA]).
- ALL DIMENSIONS ARE FOR REFERENCE ONLY.
- CONNECTOR CONTAINS FACTORY APPLIED ANTI-OXIDE INHIBITOR.
- FINISH:
ELECTRO-TIN PLATED.
- INSTALL BOLTS WITH 13 mm [1/2 inch] HEX SOCKET.

ASBT-2-350	1099368-1
CATALOG NO	PART NO



QTY	DESCRIPTION	ITEM NO
1	INSTALLATION INSTRUCTION SHEET, 408-10264	6
1	ABRASIVE TAPE	5
2	MULTI-SHEAR BOLT, M14 SIZE, ALUMINUM	4
A/R	INHIBITOR	3
1	INSERT, ALUMINUM, TIN PLATED, 2 AWG - 350 KCMIL	2
1	CONNECTOR BODY, ALUMINUM, TIN PLATED, 2 AWG - 350 KCMIL	1

THIS DRAWING IS A CONTROLLED DOCUMENT.

DIMENSIONS: mm [INCH]	TOLERANCES UNLESS OTHERWISE SPECIFIED: 0 PLC ± 1 PLC ± 2 PLC ± 3 PLC ± 4 PLC ± ANGLES ± FINISH	DWN: 05 JUN 2008 CHK: D. MURUGLAH A. BULZA APVD: B. JOHNSON	TE Connectivity	
MATERIAL: SEE BOM	FINISH: SEE BOM	PRODUCT SPEC: -	NAME: SHEARBOLT TERMINAL, ALUM, TINNED, 2 HOLE NEMA PAD, 2 AWG CPT TO 350 KCMIL STD	
CUSTOMER DRAWING		APPLICATION SPEC: -	SIZE: A2	CAGE CODE: 00779
		WEIGHT: -	DRAWING NO: C-1099368	RESTRICTED TO: -
		SCALE: NTS	SHEET: 1	REV: F