

4

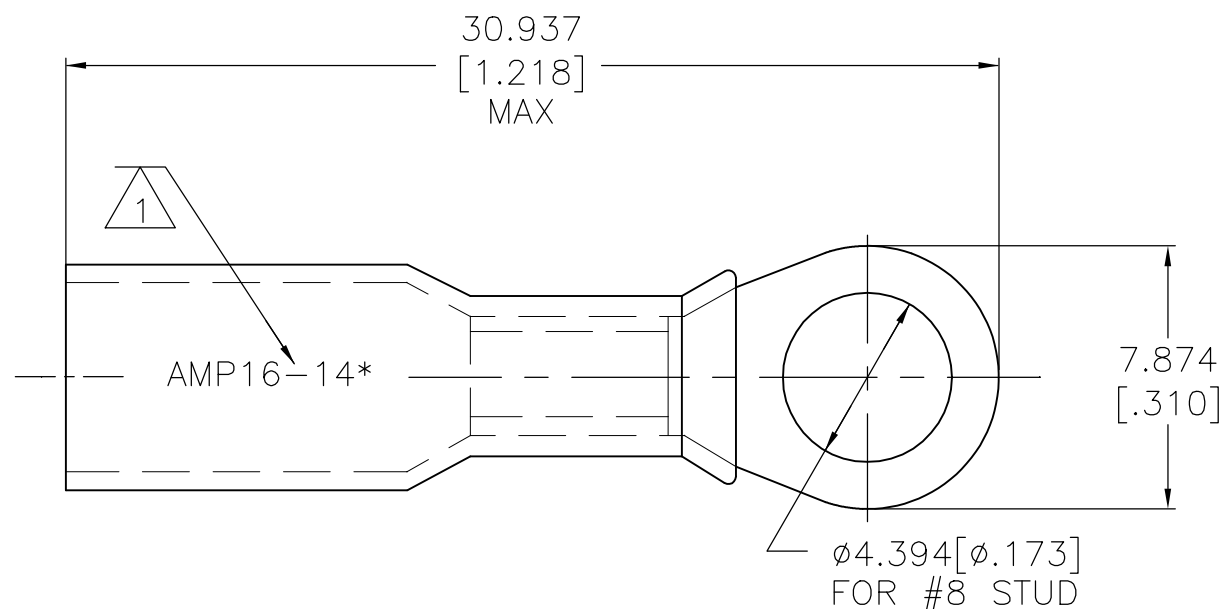
3

2

1

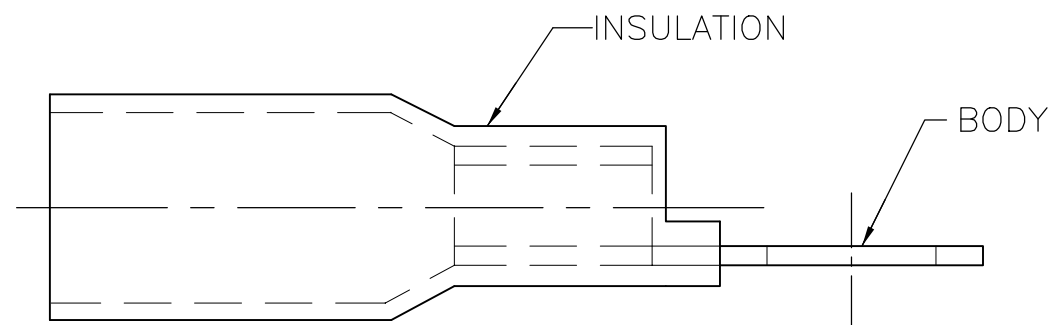
THIS DRAWING IS UNPUBLISHED. RELEASED FOR PUBLICATION  
 © COPYRIGHT - TE Connectivity Ltd. ALL RIGHTS RESERVED.

REVISIONS				
P	LTR	DESCRIPTION	DATE	APVD
	E	REVISED PER ECR-09-027352	17FEB10	JR TM
	E1	REVISED PER ECO-17-016703	04APR2018	RS DR



- 1 STAMP AMP 16-14\* APPROX AS SHOWN
- 2 WIRE INSULATION  $\phi 4.826[\phi.190]$  MAX
- 3 BODY MATERIAL THK  $0.813\pm 0.051[.032\pm.002]$
- 4 NOTE DELETED

<b>AMP</b> WIRE RANGE
16-14 AWG STRANDED



50	LOOSE PIECE	8-55851-2
1000	LOOSE PIECE	55851-1
QTY	PACKAGE TYPE	PART NO

**AMP INCORPORATED  
CUSTOMER SERVICE SYSTEMS**

MAX RECOMMENDED OPERATING TEMPERATURE:  
125°C[257°F] MAX

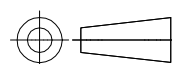
THIS DRAWING IS A CONTROLLED DOCUMENT.

VOLTAGE RATING:  
600V MAX (BUILDING WIRING)  
1000V MAX (FIXTURES & SIGNS)

CIRCULAR MIL AREA:  
1.04-2.62mm<sup>2</sup>[2050-5180]  
STRANDED

DIMENSIONS:  
mm [INCHES]

TOLERANCES UNLESS OTHERWISE SPECIFIED:



0 PLC	± -
1 PLC	± -
2 PLC	± -
3 PLC	± 0.127[.005]
4 PLC	± -
ANGLES	± -

MATERIAL  
BODY: ETP COPPER  
INSULATION: POLYOLEFIN

FINISH  
BODY: EDP TIN PLATED  
INSULATION: COLOR-BLUE

DWN	S S GOULDEN	6/93
CHK	R HERSEY	6/93
APVD	B BARE	6/93
PRODUCT SPEC	-	
APPLICATION SPEC	408-4022	
WEIGHT	-	
CUSTOMER DRAWING		



NAME  
TERMINAL, RING TONGUE, SEALABLE  
HEAT SHRINKABLE  
16-14 AWG

SIZE	CAGE CODE	DRAWING NO	RESTRICTED TO
A3	00779	C-55851	-
SCALE	NTS	SHEET	1 OF 1
REV	E1		