

4

3

2

1

THIS DRAWING IS UNPUBLISHED.

RELEASED FOR PUBLICATION

-- --

© COPYRIGHT BY TYCO ELECTRONICS CORPORATION.

ALL INTERNATIONAL RIGHTS RESERVED.

LOC

DIST

REVISIONS

AJ

16

P

LTR

DESCRIPTION

DATE

DWN

APVD

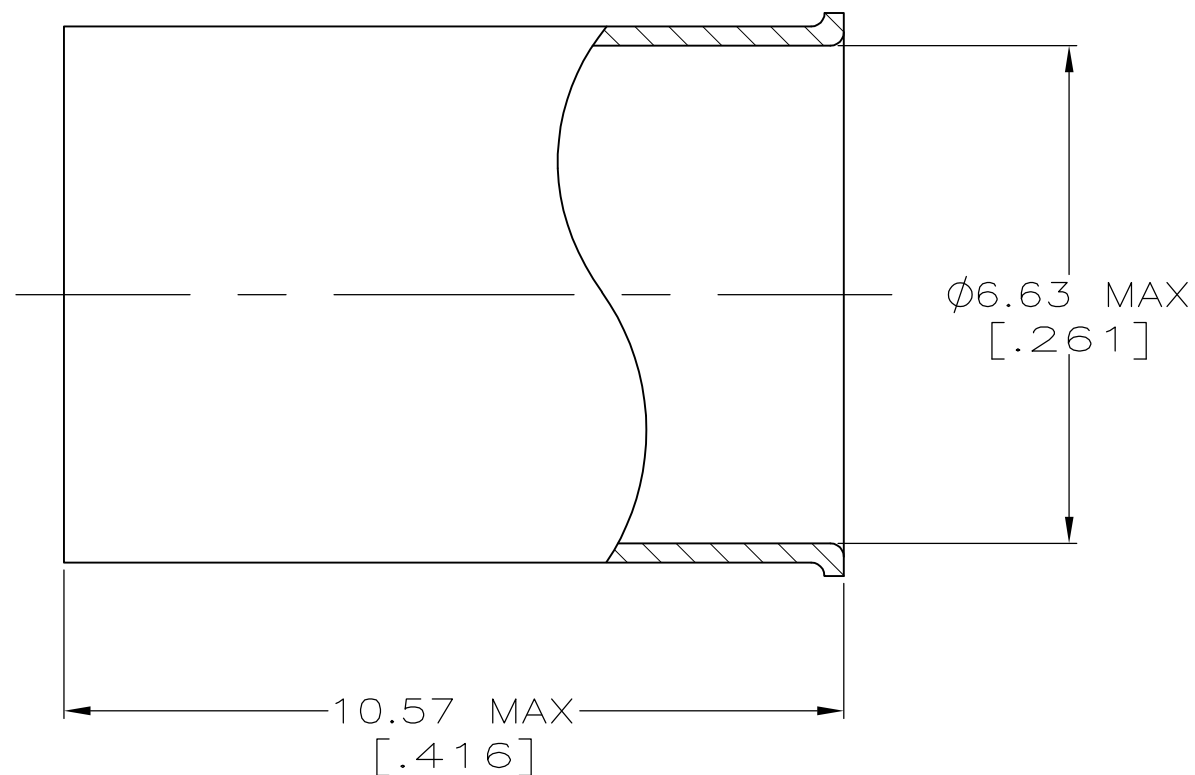
K

REVISED PER ECO-10-008433

20MAY10

HMR

KW



1. COPPER ALLOY
2. GOLD PLATE PER MIL-G-45204, 0.08 μ m [0.000030] MIN THICKNESS
3. SILVER PLATE PER QQ-S-365, 5.08 μ m [0.000200] MIN THICKNESS
4. TIN-LEAD PLATE PER ASTM-B-545, 2.54 μ m [0.000100] MIN THICKNESS

OBSOLETE	4	2-329041-5
	4	2-329041-3
OBSOLETE	2	2-329041-1
	3	329041
	FINISH	PART NUMBER

THIS DRAWING IS A CONTROLLED DOCUMENT.		DWN MICHAEL E. COWHER 10NOV95	Tyco Electronics Corporation Harrisburg, PA 17105-3608	
DIMENSIONS: mm [INCHES]		CHK FRANK MORANA 10NOV95	NAME FERRULE	
TOLERANCES UNLESS OTHERWISE SPECIFIED:		APVD FRANK MORANA 10NOV95	PRODUCT SPEC -	
0 PLC \pm -		APPLICATION SPEC -	SIZE A3	CAGE CODE 00779
1 PLC \pm -		RESTRICTED TO -	DRAWING NO C-329041	SCALE 10:1
2 PLC \pm -		WEIGHT -	SHEET 1 OF 1	REV K
3 PLC \pm -		CUSTOMER DRAWING		
4 PLC \pm -				
ANGLES \pm -				
MATERIAL SEE NOTES	FINISH SEE TABLE			