

## **RT9088GQW DDR Termination Regulator Evaluation Board**

### ***Purpose***

The RT9088 is a sink/source tracking termination regulator. This document explains the function and use of the RT9088 evaluation board (EVB), and provides information to enable operation, modification of the evaluation board and circuit to suit individual requirements.

### **Table of Contents**

Purpose .....	1
Introduction.....	2
Applications .....	2
Key Performance Summary Table .....	2
Bench Test Setup Conditions .....	3
Schematic, Bill of Materials & Board Layout .....	5
More Information.....	8
Important Notice for Richtek Evaluation Board .....	8

## Introduction

### General Product Information

The RT9088 is a sink/source tracking termination regulator. It is specifically designed for low-cost and low-external component count systems. The RT9088 possesses a high speed operating amplifier that provides fast load transient response and only requires a minimum 30 $\mu$ F ceramic output capacitor. The RT9088 supports remote sensing functions and all features required to power the DDRIII and Low Power DDRIII/DDRIV VTT bus termination according to the JEDEC specification. In addition, the RT9088 provides an open-drain PGOOD signal to monitor the output regulation and an EN signal that can be used to discharge VTT during S3 (suspend to RAM) for DDR applications. The RT9088 is available in the thermal efficient package, WDFN-10L 3x3.

### Product Feature

- VIN Input Voltage Range : 1.1V to 3.5V
- VCNTL Input Voltage Range : 2.9V to 5.5V
- Support Ceramic Capacitors
- Power Good Indicator
- 10mA Source/Sink Reference Output
- Meet DDRI, DDRII JEDEC Spec
- Support DDRIII, Low Power DDRIII/DDRIV VTT Applications
- Soft-Start Function
- UVLO and OCP Protection
- Thermal Shutdown

## Applications

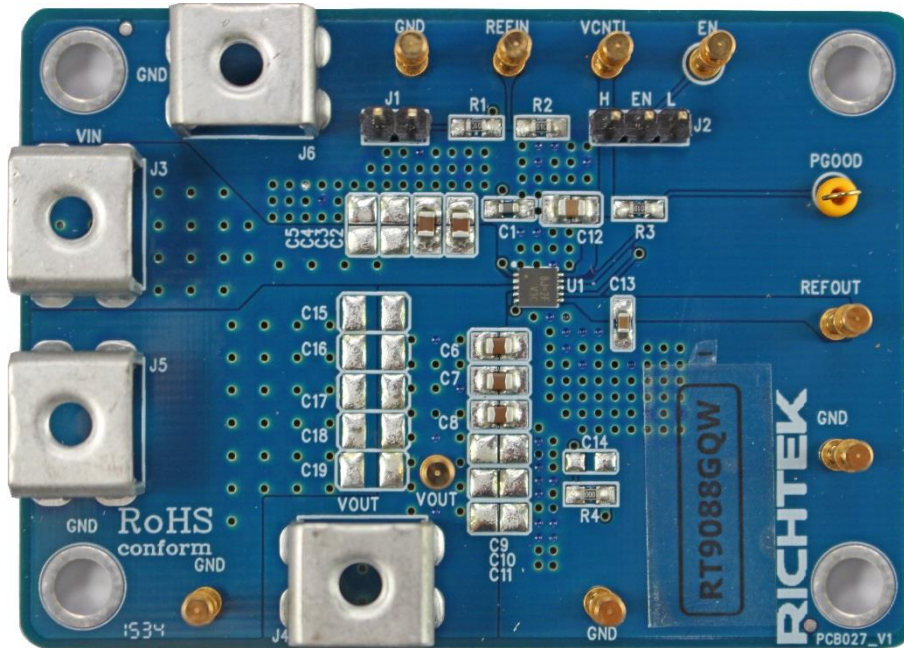
- Notebook/Desktop/Server
- Telecom/Datacom, GSM Base Station, LCD-TV/PDPTV, Copier/Printer, Set-Top Box

## Key Performance Summary Table

Key Features	Evaluation Board Number : PCB027_V1
VIN Input Voltage Range	1.1V to 3.5V
VCNTL Input Voltage Range	2.9V to 5.5V
Max Output Current	3A
Default Output Voltage	Set by REFIN pin voltage level ( $V_{OUT} = V_{REFIN}$ )
Default Marking & Package Type	RT9088GQW, WDFN-10L 3x3

**Bench Test Setup Conditions**

**Headers Description and Placement**



Please carefully inspect the EVB IC and external components, comparing them to the following Bill of Materials, to ensure that all components are installed and undamaged. If any components are missing or damaged during transportation, please contact the distributor or send e-mail to [evb\\_service@richtek.com](mailto:evb_service@richtek.com)

**Test Points**

The EVB is provided with the test points and pin names listed in the table below.

Test point/ Pin name	Signal	Comment (expected waveforms or voltage levels on test points)
<b>VIN</b>	Input voltage	Power input of the regulator.
<b>VOUT</b>	Output voltage	Power output of the regulator.
<b>EN</b>	Enable test point	Enable Control Input. EN = High (higher than 1.7V) for ON operation, while EN = Low (lower than 0.3V) for OFF operation.
<b>GND</b>	Ground	Ground.
<b>VCNTL</b>	Control voltage input	Control voltage input. Connect this pin to the 3.3V or 5V power supply. A ceramic decoupling capacitor with a value 4.7μF is required.
<b>REFIN</b>	Reference input	Reference input.
<b>REFOUT</b>	Reference output	Reference output Connect to GND through a 0.1μF ceramic capacitor.
<b>PGOOD</b>	Power good output test point	Power good open-drain output. Connect a pull-up resistor between this pin and VCNTL pin.

### **Power-up & Measurement Procedure**

1. Short J1 and the (1, 2) pin of J2 by jumper respectively.
2. Provide input voltage ( $2.9V < V_{CNTL} < 5.5V$ ) to VCNTL pin.
3. Connect input power ( $1.1V < V_{IN} < 3.5V$ ) and input ground to VIN and GND pins respectively.
4. Connect positive end and negative end of load to VOUT and GND of output pins respectively.
5. The output voltage of ( $V_{OUT}$ ) can be set by R1 and R2 :

$$V_{OUT} = V_{IN} \times \left( \frac{R2}{R1 + R2} \right)$$

6. If J1 is not shorted by Jumper, the output voltage can be set by the input voltage of REFIN pin :

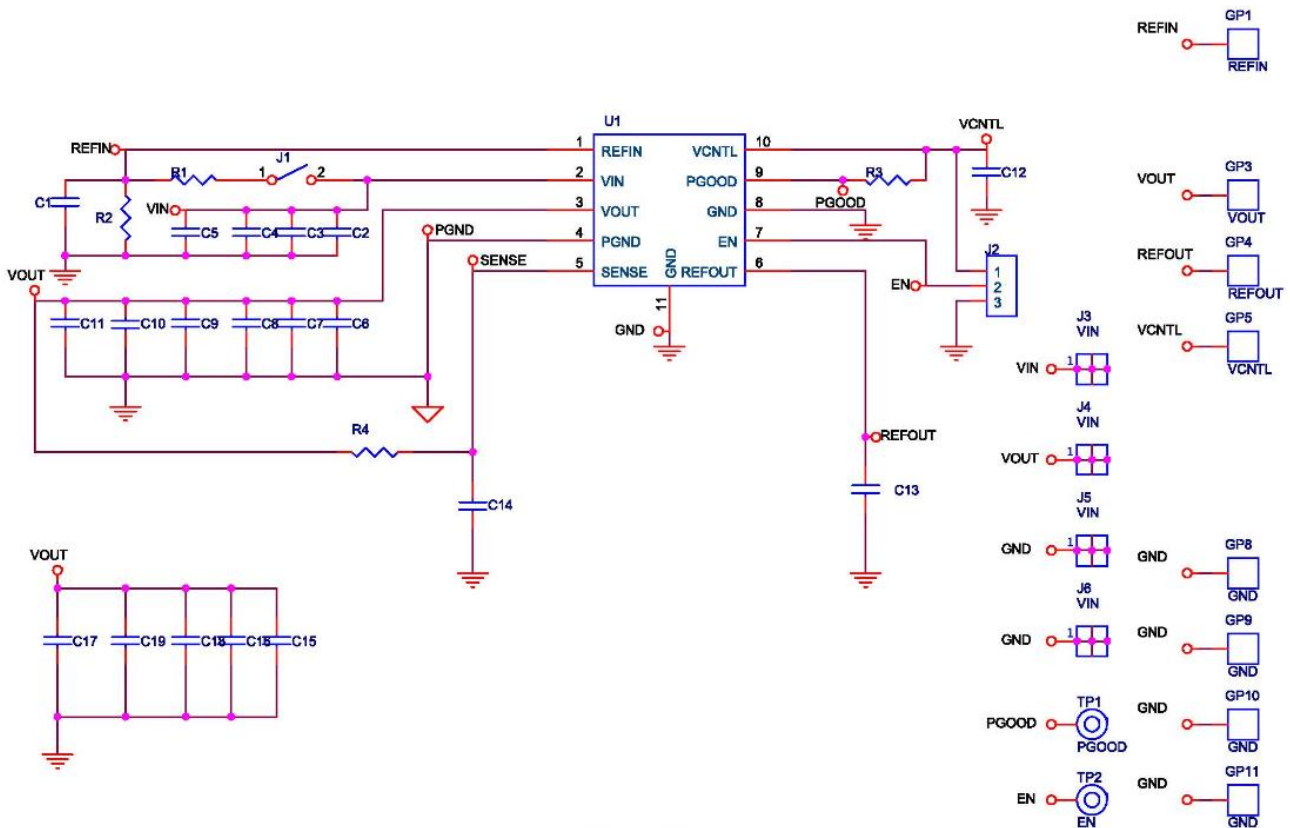
$$V_{OUT} = V_{REFIN}$$

### **Specification**

Parameter	Symbol	Min	Typ.	Max	Units
Control Input Voltage	VCNTL	2.9		5.5	V
Supply Input Voltage	VIN	1.1		3.5	V
VOUT Source Current Limit	ILIM_VOUT_SR	3.5		5.5	A
VOUT Sink Current Limit	ILIM_VOUT_SK	3.5		5.5	A
REFIN Voltage Range	VREFIN	0.5		1.8	V

**Schematic, Bill of Materials & Board Layout**

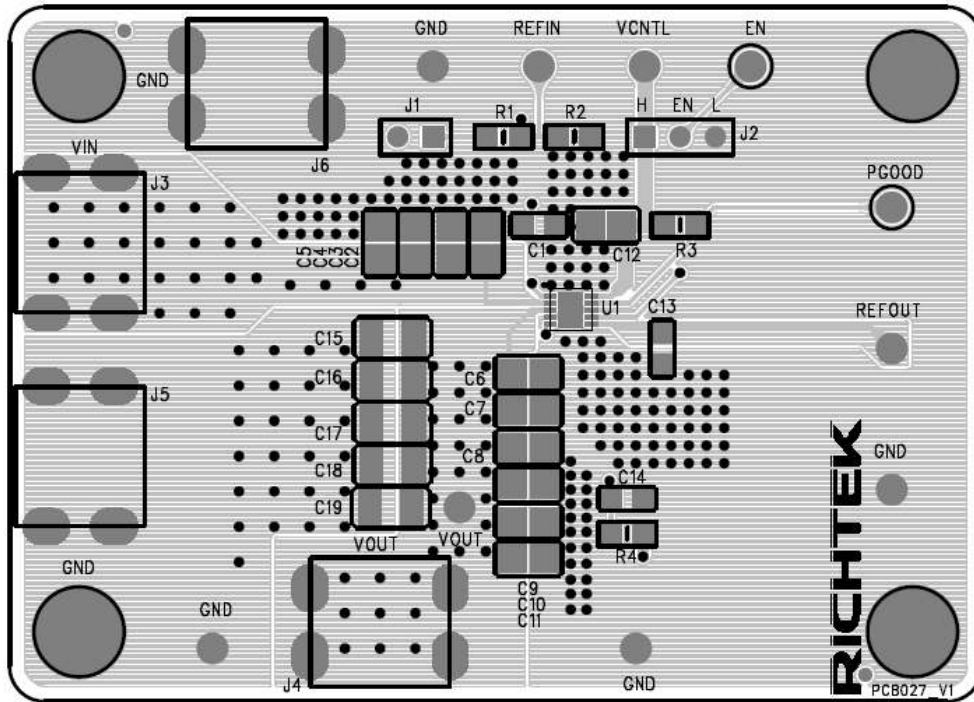
**EVB Schematic Diagram**



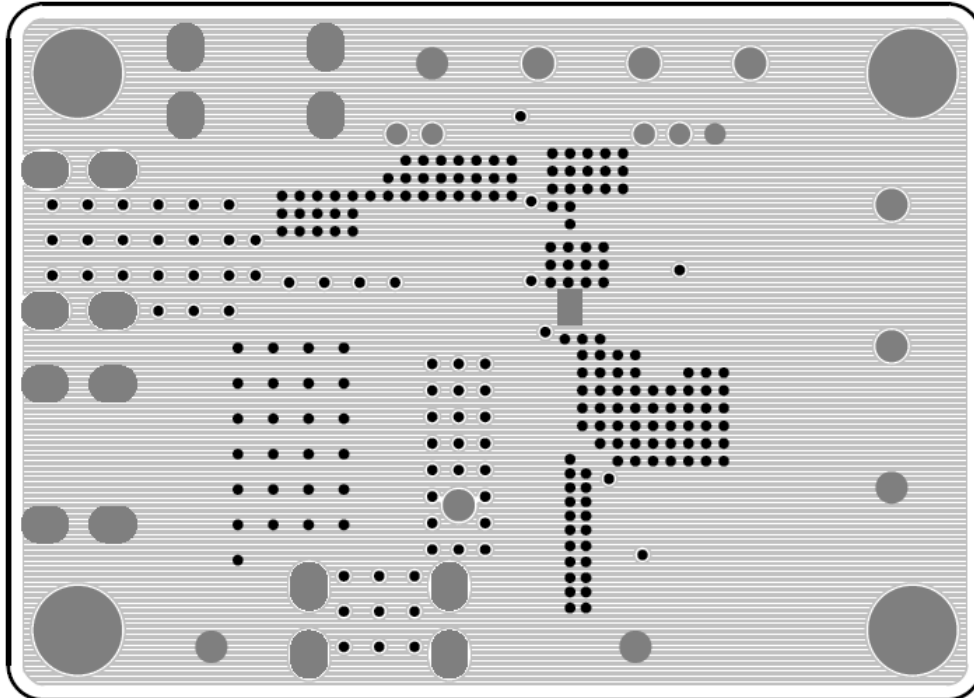
**Bill of Materials**

Reference	Qty	Part Number	Description	Package	Manufacture
U1	1	RT9088GQW	DDR Termination Regulator	WDFN-10L 3x3	RICHTEK
C2, C3, C6, C7, C8	5	GRM219R61A106KE44D	10μF/X5R/16V	C-0805	MURATA
C13	1	C1608X7R1H104K080AA	0.1μF/50V/X7R	C-0603	TDK
C12	1	C2012X5R0J475KT00HW	4.7μF/X5R/6.3V	C-0805	TDK
C1	1	0603B102K500	1nF/50V/X7R	C-0603	WALSIN
C4, C5, C9, C10, C11, C14, C15, C16, C17, C18, C19	11		NC		
R1, R2	2		10k	R-0603	
R3	1		100k	R-0603	
R4	1		0		

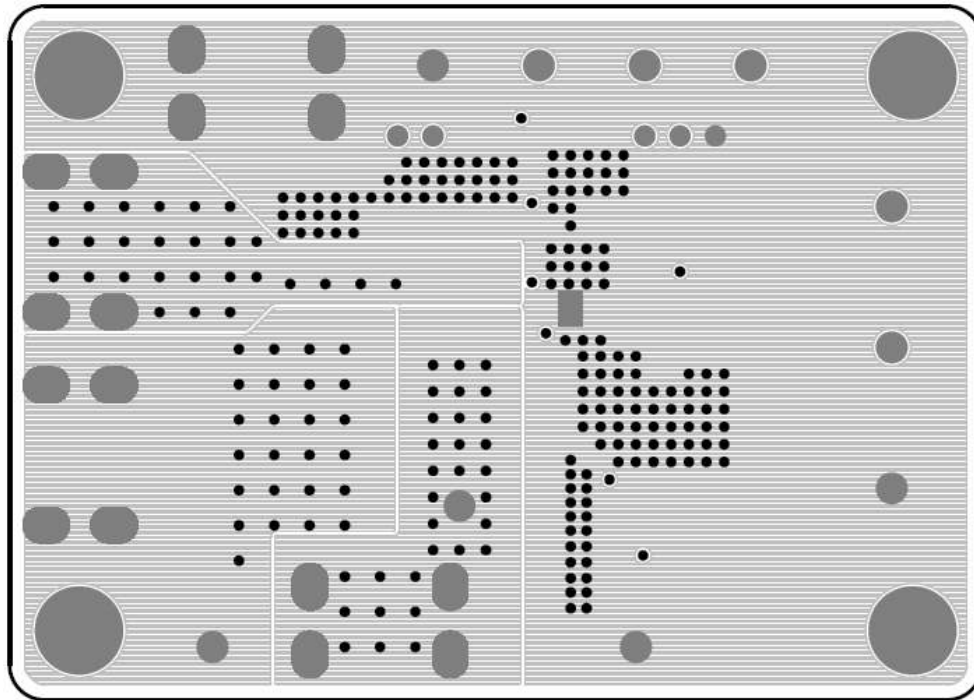
**PCB Layout**



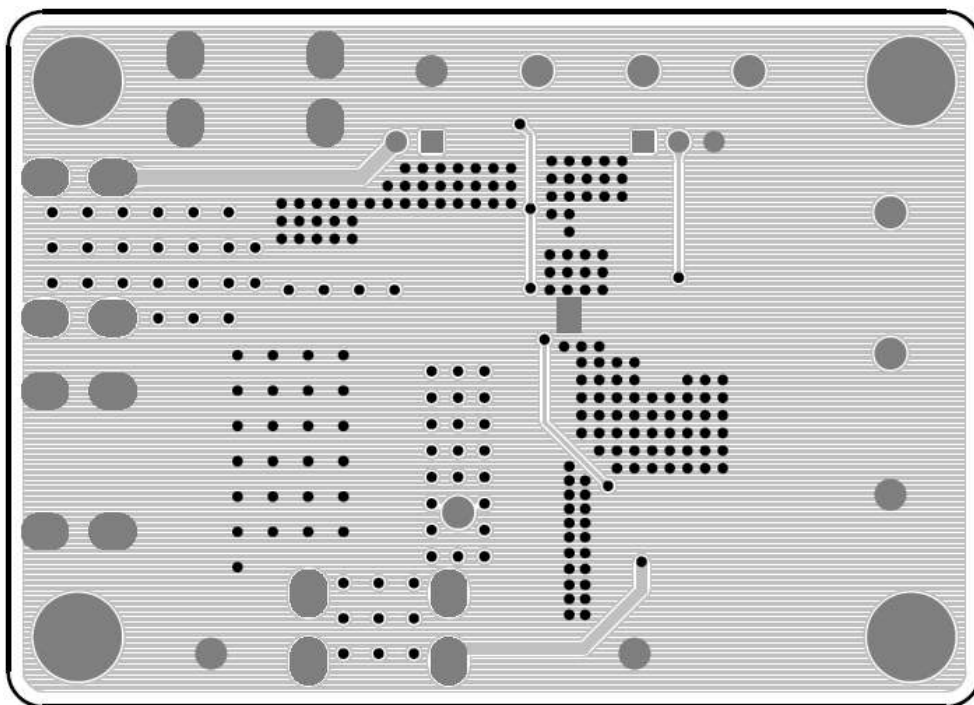
Top View (1<sup>st</sup> layer)



PCB Layout—Inner Side (2<sup>nd</sup> Layer)



PCB Layout—Inner Side (3<sup>rd</sup> Layer)



Bottom View (4<sup>th</sup> Layer)

### ***More Information***

For more information, please find the related datasheet or application notes from Richtek website <http://www.richtek.com>.

### ***Important Notice for Richtek Evaluation Board***

THIS DOCUMENT IS FOR REFERENCE ONLY, NOTHING CONTAINED IN THIS DOCUMENT SHALL BE CONSTRUED AS RICHTEK'S WARRANTY, EXPRESS OR IMPLIED, UNDER CONTRACT, TORT OR STATUTORY, WITH RESPECT TO THE PRESENTATION HEREIN. IN NO EVENT SHALL RICHTEK BE LIABLE TO BUYER OR USER FOR ANY AND ALL DAMAGES INCLUDING WITHOUT LIMITATION TO DIRECT, INDIRECT, SPECIAL, PUNITIVE OR CONSEQUENTIAL DAMAGES.