

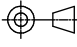


## CODE 41 - BRAID TAIL BACKSHELL

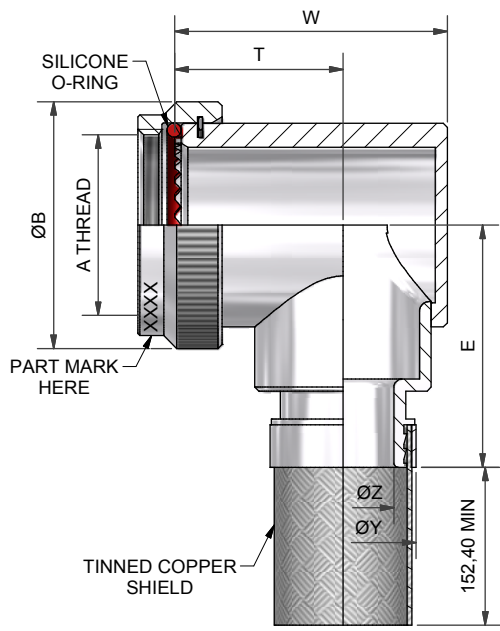
**204M216-19B08**

SERIES \_\_\_\_\_  
 ORDER NUMBER (TABLE 1) \_\_\_\_\_  
 MATERIAL \_\_\_\_\_  
 REFER TO CH00-0250-004  
 FINISH \_\_\_\_\_  
 REFER TO CH00-0250-004 ②  
 ENTRY SIZE (TABLE 2) \_\_\_\_\_

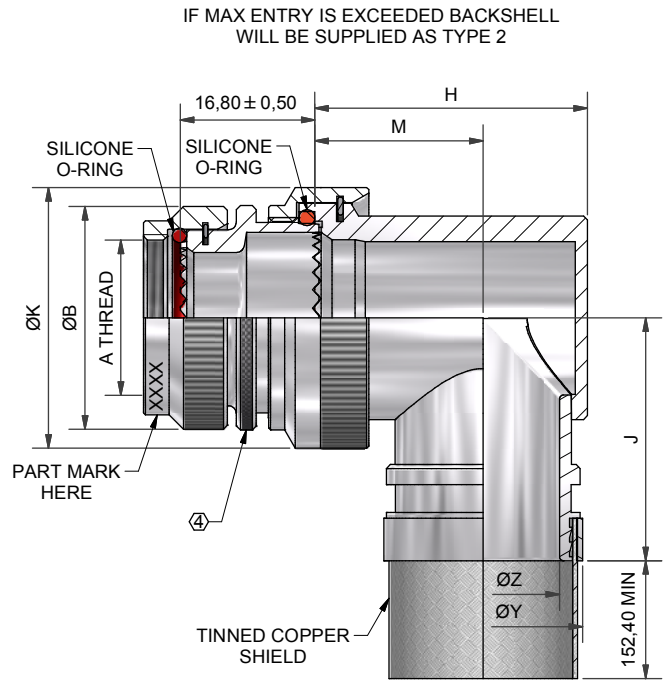
### NOTES:

1. THIS PRODUCT IS DESIGNED TO TERMINATE A HEAT SHRINKABLE LIPPED BOOT TO A CONNECTOR.
- ② FOR ADDITIONAL DIMENSIONS, ORDERING INFORMATION AND MODIFICATIONS, SEE CH00-0250-004.
3. BACKSHELL TO BE PERMANENTLY MARKED/BAGGED AND LABELLED WITH CODE IDENTIFICATION NUMBER AND PART NUMBER. (e.g. 06090-204M212-19B08).
- ④ WHEN ENTRY SIZE EXCEEDS "MAX ENTRY", A 2 PIECE BACKSHELL (TYPE 2) IS SUPPLIED.
5. BRAID TERMINATION RING MAY BE SUPPLIED AS TINEL-LOCK SHAPE MEMORY RING AT MANUFACTURERS OPTION.
6. BACKSHELL MATES TO MIL-DTL-38999, SERIES I AND II, CLASS E AND T, MS27466, MS27467, MS27468, MS27472, MS27473, MS27474, MS27479, MS27480, MS27481, MS27484, MS27497, MS27652, MS27653, MS27656 CONNECTORS.

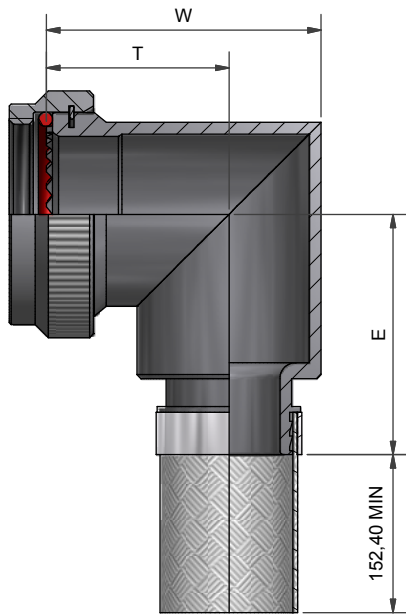
<b>DRAWN</b>	K.WINCZURA	<b>DATE</b> 18/02/2015	 3RD ANGLE PROJECTION NOT TO SCALE	<b>TITLE:</b>	<b>BRAID TAIL BACKSHELL</b>	 
<b>CHECKED</b>		18/02/2015				
<b>APPROVED</b>	K.SHEPPARD	24/02/2015		UNLESS OTHERWISE SPECIFIED ALL DIMENSIONS IN MILLIMETRES <b>GENERAL TOL</b> LINEAR +/-0.25MM ANGULAR +/- 1°		
<b>APPROVED</b>	H.SMITH	05/10/2015				
<b>REVISIONS</b>						
<b>LTR</b>	<b>DESCRIPTION</b>	<b>DATE</b>	<b>APPROVED</b>			
<b>M</b>	REVISED PER ECO-15-003780	16.03.15	I.MYONG			
<b>N</b>	REVISED PER ECO-15-013980	05.10.15	H.SMITH			
TE CAGE CODE: 06090 POLAMCO/TE CAGE CODE: U5792				TE CONNECTIVITY - POLAMCO LTD RESERVES THE RIGHT TO AMEND THIS DRAWING AND THE INFORMATION SET FORTH HEREON AT ANY TIME. USERS SHOULD INDEPENDENTLY EVALUATE THE SUITABILITY OF THE PRODUCT FOR THEIR APPLICATION.		<b>DRAWING NO:</b> <b>204M2XX</b>
				<b>DRAWING REV:</b> <b>N</b>	<b>SHT</b> <b>1</b>	



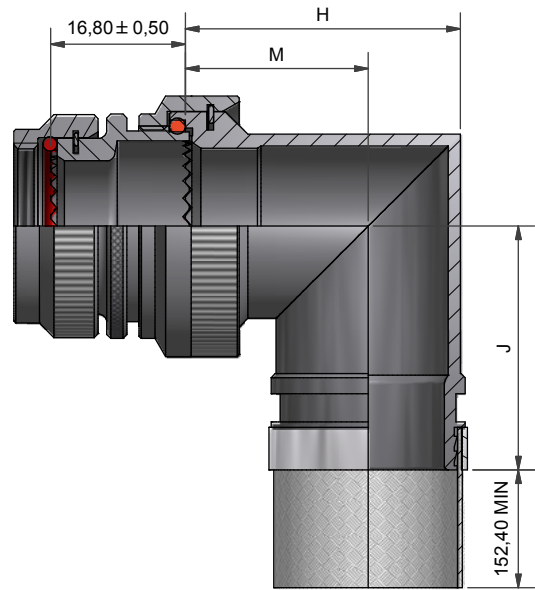
90° BACKSHELL - TYPE 1



90° BACKSHELL - TYPE 2

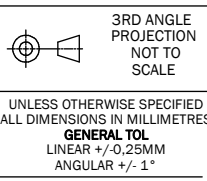


90° BACKSHELL - TYPE 1  
STAINLESS STEEL AND  
NICKEL ALUMINIUM BRONZE



90° BACKSHELL - TYPE 2  
STAINLESS STEEL AND  
NICKEL ALUMINIUM BRONZE

<b>DRAWN</b>	K.WINCZURA	<b>DATE</b>	18/02/2015
<b>CHECKED</b>		<b>DATE</b>	18/02/2015
<b>APPROVED</b>	K.SHEPPARD	<b>DATE</b>	24/02/2015
<b>APPROVED</b>	H.SMITH	<b>DATE</b>	05/10/2015
<b>REVISIONS</b>			
<b>LTR</b>	<b>DESCRIPTION</b>	<b>DATE</b>	<b>APPROVED</b>
M	REVISED PER ECO-15-003780	16.03.15	I.MYONG
N	REVISED PER ECO-15-013980	05.10.15	H.SMITH



**TITLE:**  
**BRAID TAIL BACKSHELL**

**ASSY USED ON:**  
**MIL-DTL-38999 SERIES I & II**



TE CAGE CODE: 06090  
POLAMCO/TE CAGE CODE: U5792

TE CONNECTIVITY - POLAMCO LTD RESERVES THE RIGHT TO AMEND THIS DRAWING AND THE INFORMATION SET FORTH HEREON AT ANY TIME. USERS SHOULD INDEPENDENTLY EVALUATE THE SUITABILITY OF THE PRODUCT FOR THEIR APPLICATION.

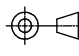
<b>DRAWING NO:</b> <b>204M2XX</b>	<b>DRAWING REV:</b> <b>N</b>	<b>SHT</b> <b>2</b>
--------------------------------------	---------------------------------	------------------------

TABLE 1

ORDER NUMBER	SHELL SIZE SER I / SER II	A THREAD	ØB MAX	MAX ENTRY (4)	W ±0,5	T ±0,5	E ±0,5	THESE DIMENSIONS APPLY IF BACKSHELL IS STAINLESS STEEL OR NICKEL ALUMINIUM BRONZE		
								W ±0,5	T ±0,5	E ±0,5
08	9 / 8	7/16-28UNEF	18,3	04	21,0	14,0	24,0	21,3	16,4	24,0
10	11 / 10	9/16-24UNEF	21,5	06	24,0	15,5	25,7	24,4	17,3	25,7
12	13 / 12	11/16-24UNEF	24,5	08	27,0	17,0	27,2	28,4	19,5	27,2
14	15 / 14	13/16-20UNEF	27,8	10	31,0	19,5	28,7	31,2	21,0	28,7
16	17 / 16	15/16-20UNEF	30,8	12	34,0	21,0	30,4	34,3	22,8	30,4
18	19 / 18	1 1/16-18UNEF	34,1	13	35,0	20,0	32,0	38,6	25,3	32,0
20	21 / 20	1 3/16-18UNEF	37,3	15	38,0	21,5	33,6	40,8	26,1	33,6
22	23 / 22	1 5/16-18UNEF	40,5	17	42,0	24,0	35,1	43,8	27,6	35,1
24	25 / 24	1 7/16-18UNEF	43,7	18	45,0	25,5	36,6	46,5	29,1	36,6

TABLE 2

ENTRY SIZE	ØK MAX	ØZ REF	ØY REF	H ±0,5	M ±0,5	J ±0,5	THESE DIMENSIONS APPLY IF BACKSHELL IS STAINLESS STEEL OR NICKEL ALUMINIUM BRONZE		
							H ±0,5	M ±0,5	J ±0,5
03	NA	4,77	13,1	NA	NA	NA	NA	NA	NA
04	NA	6,35	13,1	NA	NA	NA	NA	NA	NA
05	21,0	7,92	13,1	24,0	15,5	25,7	24,3	17,2	25,7
06	21,0	9,52	17,9	24,0	15,5	25,7	24,3	17,2	25,7
07	21,0	11,12	17,9	24,0	15,5	25,7	24,3	17,2	25,7
08	24,5	12,70	17,9	27,0	17,0	27,2	28,3	19,4	27,2
09	24,5	14,27	17,9	27,0	17,0	27,2	28,3	19,4	27,2
10	29,0	15,87	24,2	31,0	19,5	28,7	31,1	21,0	28,7
11	32,5	17,47	24,2	34,0	21,0	30,4	34,2	22,8	30,4
12	32,5	19,05	24,2	34,0	21,0	30,4	34,2	22,8	30,4
13	35,5	20,62	24,2	35,0	20,0	32,1	38,5	25,3	32,1
14	35,5	22,23	30,6	35,0	20,0	32,1	38,5	25,3	32,1
15	37,0	23,82	30,6	38,0	21,5	33,7	40,7	26,1	33,7
16	37,0	25,40	30,6	38,0	21,5	33,7	40,7	26,1	33,7
17	40,0	26,98	33,2	42,0	24,0	35,2	43,7	27,6	35,2
18	40,0	28,60	33,2	42,0	24,0	35,2	43,7	27,6	35,2
20	43,5	31,80	42,0	45,0	25,5	36,7	46,4	29,1	36,7
21	48,5	33,34	42,0	54,5	31,0	39,8	50,0	31,0	39,8
22	48,5	35,00	42,0	54,5	31,0	39,8	50,0	31,0	39,8
24	52,1	38,10	42,0	58,0	33,0	43,8	53,5	33,0	43,8
28	58,5	44,45	49,0	65,5	36,5	48,9	60,3	36,5	48,9

<b>DRAWN</b>	K.WINCZURA	DATE	18/02/2015	 3RD ANGLE PROJECTION NOT TO SCALE
<b>CHECKED</b>		DATE	18/02/2015	
<b>APPROVED</b>	K.SHEPPARD	DATE	24/02/2015	
<b>APPROVED</b>	H.SMITH	DATE	05/10/2015	
<b>REVISIONS</b>				
<b>LTR</b>	<b>DESCRIPTION</b>	<b>DATE</b>	<b>APPROVED</b>	
<b>M</b>	REVISED PER ECO-15-003780	16.03.15	I.MYONG	
<b>N</b>	REVISED PER ECO-15-013980	05.10.15	H.SMITH	
TE CAGE CODE: 06090 POLAMCO/TE CAGE CODE: U5792				

<b>TITLE:</b>	<b>BRAID TAIL BACKSHELL</b>		
<b>ASSY USED ON:</b>	<b>MIL-DTL-38999 SERIES I &amp; II</b>		
TE CONNECTIVITY - POLAMCO LTD RESERVES THE RIGHT TO AMEND THIS DRAWING AND THE INFORMATION SET FORTH HEREON AT ANY TIME. USERS SHOULD INDEPENDENTLY EVALUATE THE SUITABILITY OF THE PRODUCT FOR THEIR APPLICATION.			
<b>DRAWING NO:</b>	<b>204M2XX</b>	<b>DRAWING REV:</b>	<b>N</b>
		<b>SHT</b>	<b>3</b>

