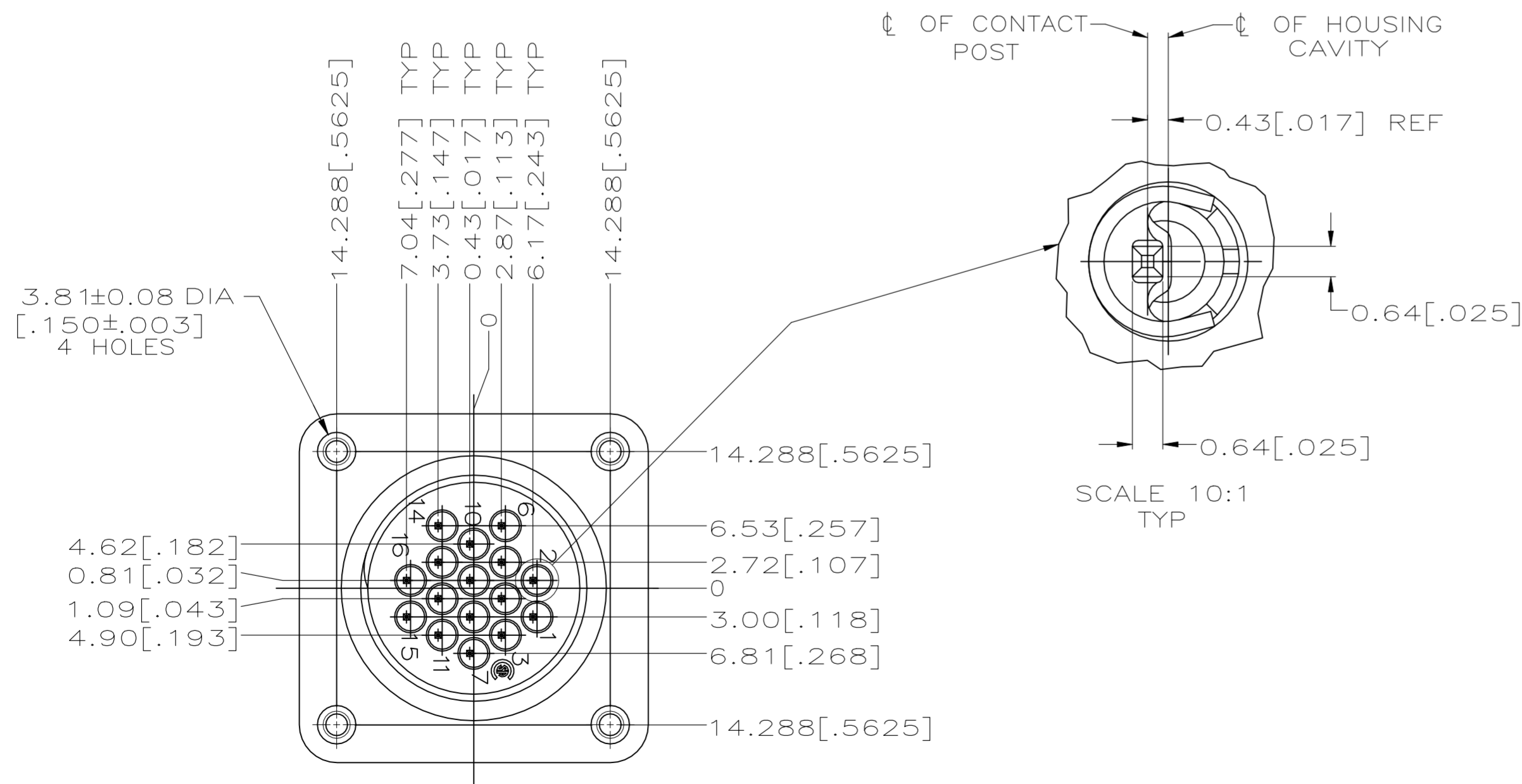
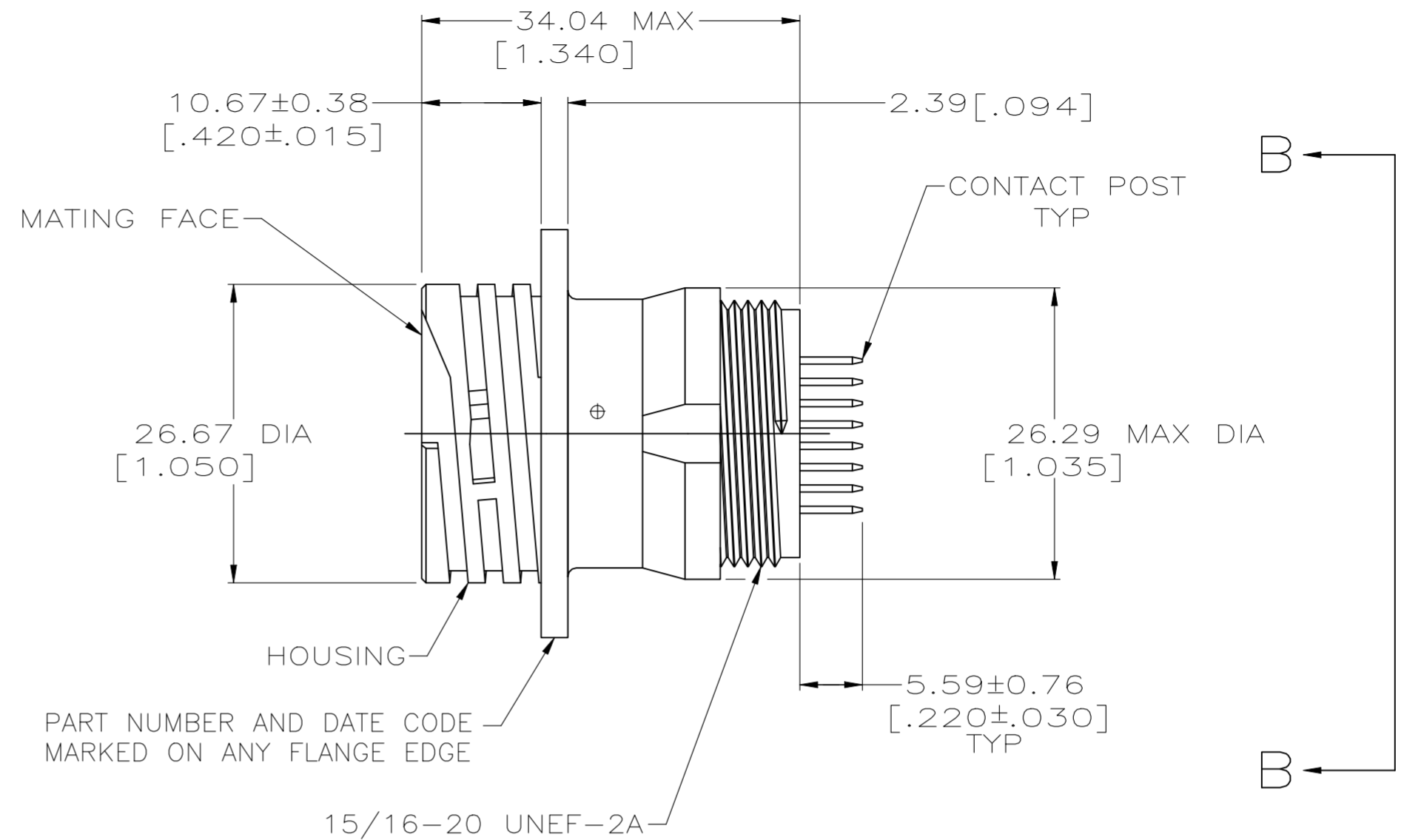
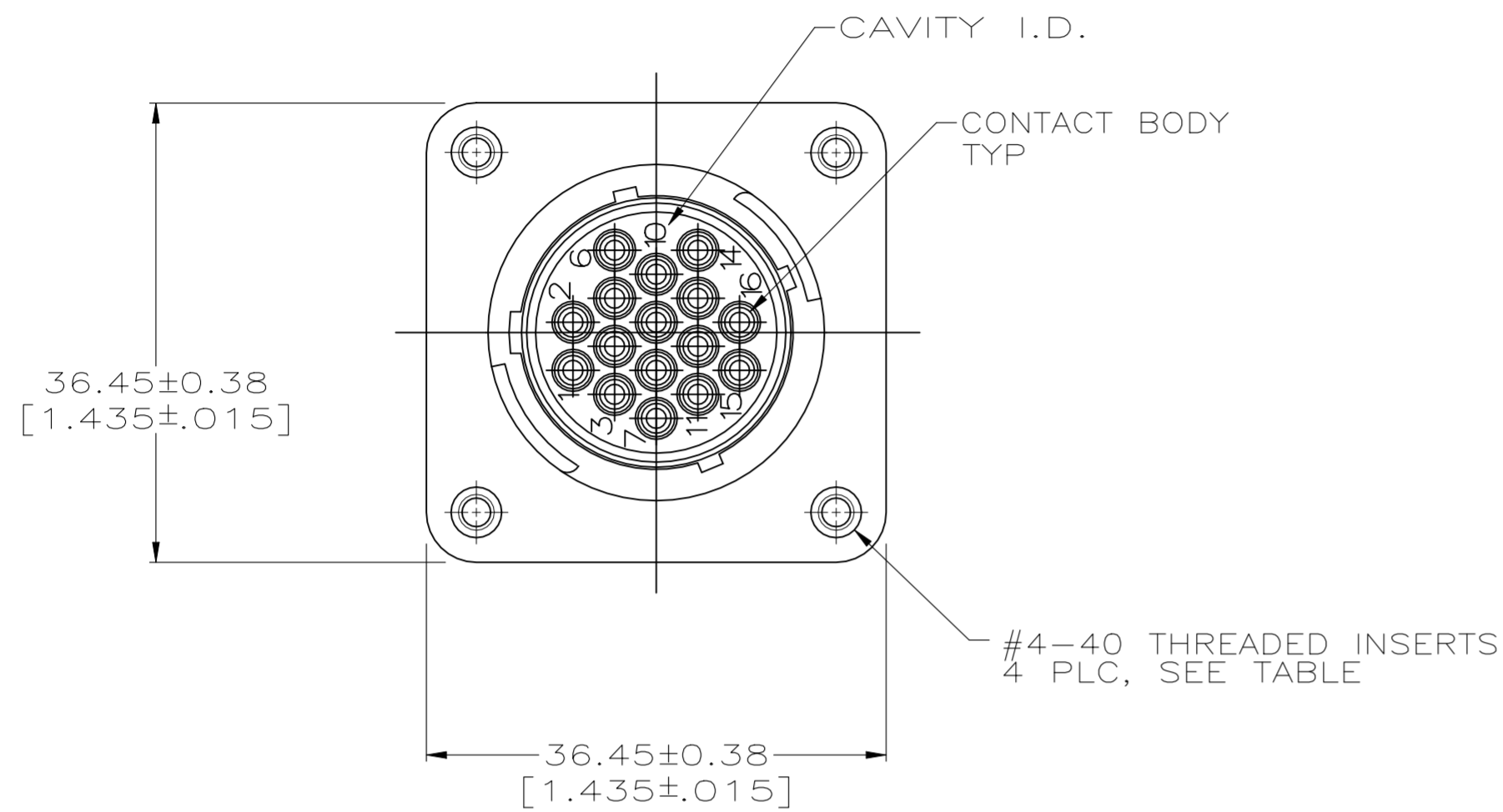


REVISIONS					
P	LTR	DESCRIPTION	DATE	DWN	APVD
D1		REVISED PER ECR-22-150475	26AUG2022	RK	MZ



- 1 NYLON, UL 94V-0 RATED, BLACK.
- 2 STAINLESS STEEL.
- 3 BRASS.
- 4 CONTACT BODY: 0.76um [.000030] MIN GOLD FOR A LENGTH OF 5.08 [.200] MIN FROM MATING END. GOLD FLASH ON REMAINDER, BOTH OVER 1.27um [.000050] MIN NICKEL. CONTACT POST: 2.54um [.000100] MIN TIN-LEAD OVER 1.27um [.000050] MIN NICKEL.
- 5 RECOMMENDED PC BOARD HOLE SIZE FOR CONTACT POST = 0.89 ± 0.08 [.035 ± .003] DIA..
- 6 CONTACT BODY: 0.76um [.000030] MIN GOLD FOR A LENGTH OF 5.08 [.200] MIN FROM MATING END. GOLD FLASH ON REMAINDER, BOTH OVER 1.27um [.000050] MIN NICKEL. CONTACT POST: 2.54um [.000100] MIN TIN OVER 1.27um [.000050] MIN NICKEL.

FINISH	THREADED INSERTS	PART NUMBER
6	YES	213855-4
6	NO	213855-3
4	YES	213855-2
4	NO	213855-1

VIEW B-B

THIS DRAWING IS A CONTROLLED DOCUMENT.

DWN: D.HARDY 01-03-95
CHK: R.STONE 01-09-95

TE Connectivity Ltd.

RECEPTACLE ASSEMBLY, POSTED, STANDARD SEX, 17-16, CPC

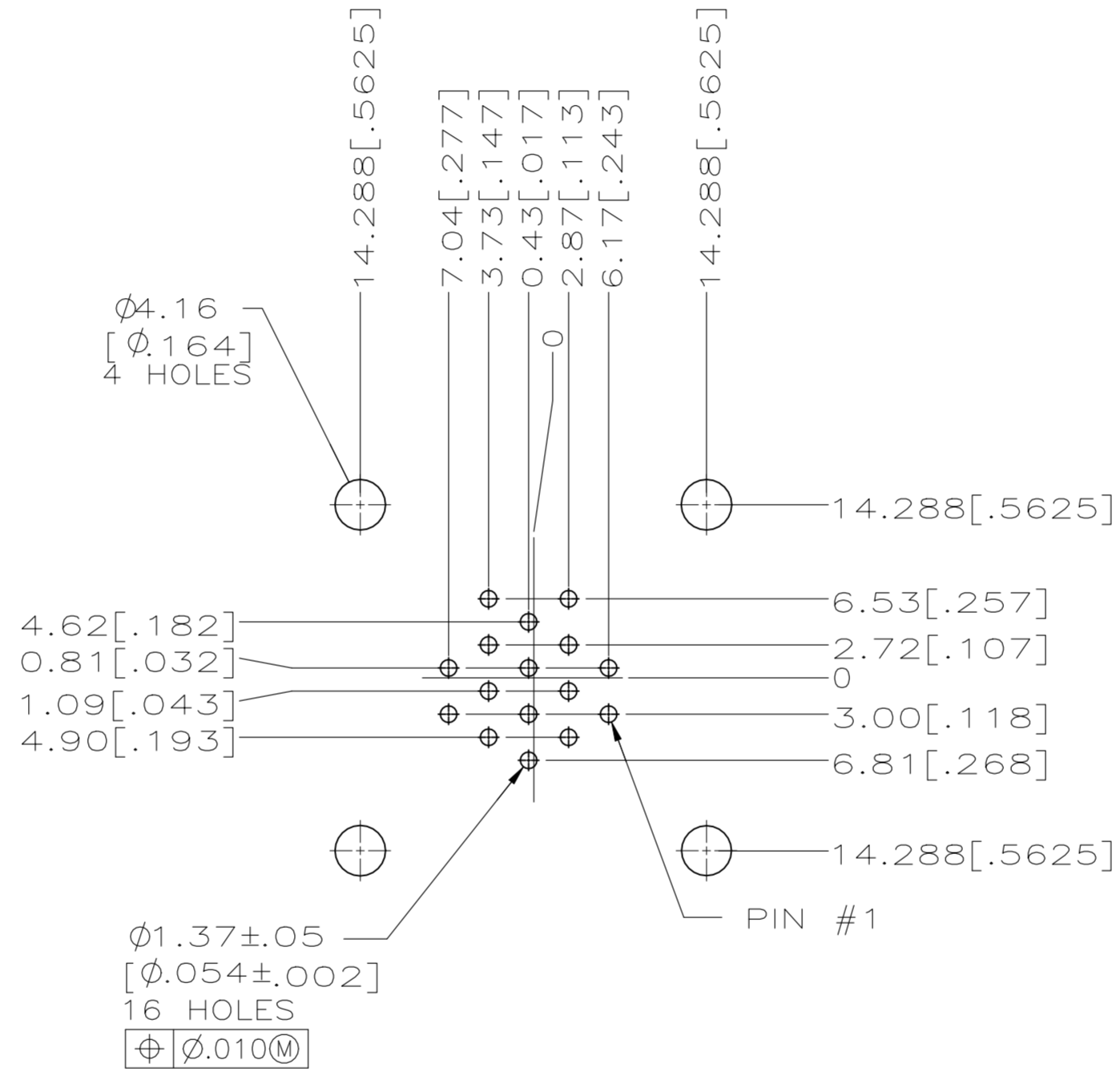
108-10024
114-10038

SIZE: A2 CAGE CODE: 00779 DRAWING NO: C=213855

SCALE: 2:1 SHEET: 1 OF 2 REV: D1

REVISIONS

P	LTR	DESCRIPTION	DATE	DWN	APVD
-	-	SEE SHEET 1	-	-	-



RECOMMENDED P.C. BOARD LAYOUT

THIS DRAWING IS A CONTROLLED DOCUMENT.		DWN D.HARDY 01-03-95	TE Connectivity Ltd.	
DIMENSIONS: mm [INCHES]		CHK R.STONE 01-09-95		
		APVD -	NAME RECEPTACLE ASSEMBLY, POSTED, STANDARD SEX, 17-16, CPC	
TOLERANCES UNLESS OTHERWISE SPECIFIED: 0 PLC ± - 1 PLC ± - 2 PLC ± 0.25 [.010] 3 PLC ± - 4 PLC ± - ANGLES ± -		PRODUCT SPEC 108-10024	DRAWING NO 114-10038	
MATERIAL HOUSING:		FINISH	SIZE A2	CAGE CODE 00779
CONTACT SPRING:		CONTACT:	DRAWING NO C=213855	RESTRICTED TO -
CONTACT BODY & POST:		WEIGHT -	SCALE 2:1	SHEET 2 OF 2
CUSTOMER DRAWING			REV D1	